



 **ROLLERI**

[www.rolleritools.com](http://www.rolleritools.com)



THE INTERNATIONAL CERTIFICATION NETWORK

# CERTIFICATE

CISQ/NCIM hereby certify that the organization

**ROLLERI S.p.A.**

Via Artigiani, 18 - Loc. Cabina - I-29020 Vigolzone (PC)

for the following field of activities  
**Design and production of press brake tools and machine tool leveling supports.  
Machining on customer's drawing.**

has implemented and maintains a  
**Quality Management System**

which fulfils the requirements of the following standard

**ISO 9001:2008**

Issued on: 2012-01-29  
Validity date: 2015-01-28

Registration Number: IT-7767



*Rene Wimmer*  
Rene Wimmer  
President of IQNET



*Giuseppe Prati*  
Giuseppe Prati  
President of CISQ

**IQNet partners:**  
AENOR Spain AFAQ AFNOR France AIB-Viatec International Belgium ANCE Mexico APCTE Portugal CISC Italy CQC China  
CQM China CQS Czech Republic Cto Can Canada COONTEC Colombia ENAC Mexico Impica Certification Finland  
FONSDORMA Venezuela HROSA Hong Kong China KOONTEC Colombia ENAC Mexico Impica Certification Finland  
IRAM Argentina JQA Japan KFQ Korea MSZT Hungary Nemko AS Norway NSAI Ireland PCBC Poland QMI Canada  
BSMI America Austria BR Brazil SAI Global Australia SII Israel SMO Slovenia SIREM QAS International Malaysia  
SQS Switzerland SRAC Romania TEST SIA Petersburg Russia TEGS Serbia  
IKN is represented in the USA by: AFAQ AFNOR, AIB-Viatec International, CISC, DQS, NSAI Inc., QMI and SAI Global  
\*The list of IQNet partners is valid as the date of issue of this certificate. Updated information is available under [www.iqnet-certification.com](http://www.iqnet-certification.com)



CERTIFICATO n. 1289/4  
CERTIFICATE No. 1289/4

SI CERTIFICA CHE IL SISTEMA DI GESTIONE PER LA QUALITÀ DI  
WE HEREBY CERTIFY THAT THE QUALITY MANAGEMENT SYSTEM OPERATED BY

**ROLLERI S.p.A.**

UNITÀ OPERATIVE  
OPERATIVE UNITS

Via Artigiani, 18 - Loc. Cabina - 29020 Vigolzone (PC)  
Italia

È CONFORME ALLA NORMA  
IS IN COMPLIANCE WITH THE STANDARD  
**UNI EN ISO 9001:2008**

PER LE SEGUENTI ATTIVITÀ  
FOR THE FOLLOWING ACTIVITIES

EA: 17

Progettazione e produzione di utensili per presse piegatrici e  
supporti di livellamento per macchine utensili. Lavorazioni  
meccaniche su disegno del cliente.  
Design and production of press brake tools and machine tool  
leveling supports. Machining on customer's drawing.

Questo è un atto della Qualifica (qualificato in seguito all'adempimento di determinati  
Atti di Qualità) emesso da parte di un'entità di certificazione a richiesta del cliente. Il valore e la validità di questo  
È possibile certificare e supportare il cliente al livello del richiedente per la certificazione del sistema di gestione per la qualità della azienda.  
The use and the validity of this certificate is that entity has responsibility of the value by the certification of company quality management system.

Data emissione  
Date issue  
20/05/1999

Emmissione (originale)  
Current issue  
29/01/2012

Data di scadenza  
Expiry date  
28/01/2015

*Carica*  
KIM S.p.A.



ACCREDITIA  
Società a partecipazione paritetica di  
professionisti e clienti del settore  
certificazioni di qualità  
Via S. Maria Maddalena, 10 - 20122 Milano (MI) - Italia  
Tel. +39 02 57501111 - Fax +39 02 57501112  
www.accreditalia.it



Adesso, per associazione di rete, è stato  
creato anche il sito [www.iqnet-cert.com](http://www.iqnet-cert.com)  
Adesso, per associazione di rete, è stato  
creato anche il sito [www.iqnet-cert.com](http://www.iqnet-cert.com)

ENIR è la Federazione Italiana di  
Organismi di Certificazione del  
Sistema di Gestione Qualità  
ENIR è la Federazione Italiana di  
Organismi di Certificazione del  
Sistema di Gestione Qualità



## Legenda / Legend / Legende / Leyenda

### Условные обозначения



ESCLUSIVA ROLLERI  
EXCLUSIVE TO ROLLERI  
EXKLUSIV BEI ROLLERI  
EXCLUSIVA ROLLERI  
ΑΠΟΚΛΕΙΣΤΙΚΑ ΣΤΗ ROLLERI  
ЭКСКЛЮЗИВНЫЙ ПРОДУКТ ROLLERI  
诺雷力专利产品



RICHIAMO DI PAGINA  
BACK OVER OF THE PAGE  
SEITENANGABE  
CONSULTAR PÁGINA  
RECLAMO DA PÁGINA  
ΔΕΞ ΣΕΛ  
СМОТРИТЕ СТРАНИЦУ №  
页码提示

(2)

PRODOTTO FORNITO A COPPIE  
PRODUCT PROVIDED TO COUPLE  
ZWEITEILIG  
PRODUCTO VENDIDO EN PARES  
PRODUTO VENDIDO EM COPIA  
ΠΡΟΪΟΝ ΤΟ ΟΠΟΙΟ ΠΑΡΕΧΕΤΑΙ ΣΕ ΖΕΥΓΟΣ  
ПРОДУКТ ПОСТАВЛЯЕТСЯ ПАРАМИ  
成对供货产品

835

LUNGHEZZA PRODOTTO  
LENGTH OF THE PRODUCT  
PRODUKTLÄNGE  
LARGO DEL PRODUCTO  
COMPRIMENTO PRODUCTO  
ΜΗΚΟΣ ΠΡΟΪΟΝΤΟΣ  
ДЛИНА ИНСТРУМЕНТА  
产品长度



TEMPRA A INDUZIONE SULLE PARTI USURABILI  
INDUCTION HARDENING ON THE WORKING AREAS  
INDUKTIVGEHÄRTETE ARBEITSFLÄCHEN  
TEMPLADO POR INDUCCIÓN SOBRE LAS ÁREAS DE TRABAJO  
TÉMPERA A INDUÇÃO  
ΕΠΙΣΚΑΛΗΡΥΝΣΗ ΠΡΟΪΟΝΤΟΣ ΣΤΑ ΣΗΜΕΙΑ ΕΠΑΦΗΣ  
ИНДУКЦИОННАЯ ЗАКАЛКА РАБОЧИХ ПОВЕРХНОСТЕЙ  
部份电磁感应淬火



TEMPRA TOTALE  
TOTAL HARDENED  
DURCHGEHÄRTET  
TEMPLADO TOTAL  
TÉMPERA TOTAL  
ΠΛΗΡΗΣ ΕΠΙΣΚΑΛΗΡΥΝΣΗ  
ОБЪЕМНАЯ ЗАКАЛКА  
整体淬火



PRODOTTO FORNIBILE SU RICHIESTA CON DIMENSIONI  
INDICATE DAL CLIENTE  
PRODUCT PROVIDABLE ON REQUEST WITH DIMENSIONS  
INDICATED BY THE CUSTOMER  
AUF MAß LIEFERBAR  
PRODUTO CONFORME COM MEDIDAS SOLICITADAS DO  
CLIENTE  
PRODUCTO DISPONIBLE A PEDIDO CON DIMENSIONES  
ACORDADAS CON EL CLIENTE  
ΠΡΟΪΟΝ ΤΟ ΟΠΟΙΟ ΠΑΡΕΧΕΤΑΙ ΣΕ ΔΙΑΣΤΑΣΕΙΣ  
ΚΑΘΟΡΙΣΜΕΝΕΣ ΑΠΟ ΤΟΝ ΠΕΛΑΤΗ  
ВОЗМОЖНО ИЗГОТОВЛЕНИЕ ПО РАЗМЕРАМ ЗАКАЗЧИКА  
可根据客户定制尺寸的产品



UTENSILE NON FRAZIONABILE  
SECTIONED NOT AVAILABLE  
UNTERTEILUNG IN KURZE TEILLÄNGEN NICHT MÖGLICH  
UTILLAJE NO FRACIONABLE  
UTENSILÍO NÃO FRACIONAVEL  
ΜΗ ΔΙΑΘΕΣΙΜΗ ΔΙΑΙΡΟΥΜΕΝΗ ΕΚΔΟΣΗ  
СЕКЦИОНИРОВАНИЕ НЕВОЗМОЖНО  
不可分段的刀具模具



LUNGHEZZA DISPONIBILE  
LENGTH AVAILABLE  
KÜRZESTE TEILLÄNGE  
LARGURA DISPONIBLE  
COMPRIMENTO DISPONIVEL  
ΔΙΑΘΕΣΙΜΟ ΜΗΚΟΣ  
ДОСТУПНАЯ ДЛИНА  
可提供的分段刀具模具的起始长度



LUNGHEZZA NON DISPONIBILE  
LENGTH NOT AVAILABLE  
KURZE TEILLÄNGE NICHT LIEFERBAR  
LARGURA NO DISPONIBLE  
COMPRIMENTO NÃO DISPONIVEL  
ΜΗ ΔΙΑΘΕΣΙΜΟ ΜΗΚΟΣ  
ДЛИНА ОТСУТСТВУЕТ  
无法提供的分段刀具模具的长度

**ROL SYSTEM**

**2**

**ROLLERI NEWS**

**4**

**PROMECAM-AMADA TYPE**

**5**

**TRUMPF-WILA TYPE**

**39**

**BEYELER TYPE**

**47**

**GASPARINI TYPE**

**55**

**COLGAR TYPE**

**57**

**LVD-WILA TYPE**

**59**

**COLLY TYPE**

**65**

**AJIAL-AXIAL TYPE**

**69**

**HÄMMERLE-BYSTRONIC TYPE**

**71**

**SPECIAL TOOLS**

**75**

**EQUIPMENT**

**78**

**SHEAR BLADES**

**80**

**RETROFITTING**

**81**

ROL SYSTEM

## ROL5 System



**ROL5  
Manual**



**ROL5 PN  
Pneumatic**

## ROL4 System



**ROL4  
Manual**



**ROL4 HYD  
Hydraulic**

## ROL1 System

**ROL1 PN**  
Pneumatic



**ROL1 HYD**  
Hydraulic



**ROL1**



**ROL1 KDS**



## ROL2 System



**ROL2 Manual**

## Hydraulic Clamping



**ROL2 PN / ROL2 HYD**



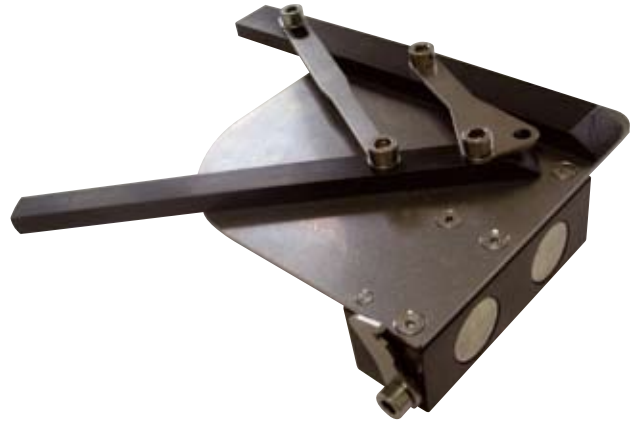
**ROL6**



# ROLLERI NEWS

## MSA - MAGNETIC SQUARING ARM WITH ANGLE ATTACHMENT

ROLLERI NEWS



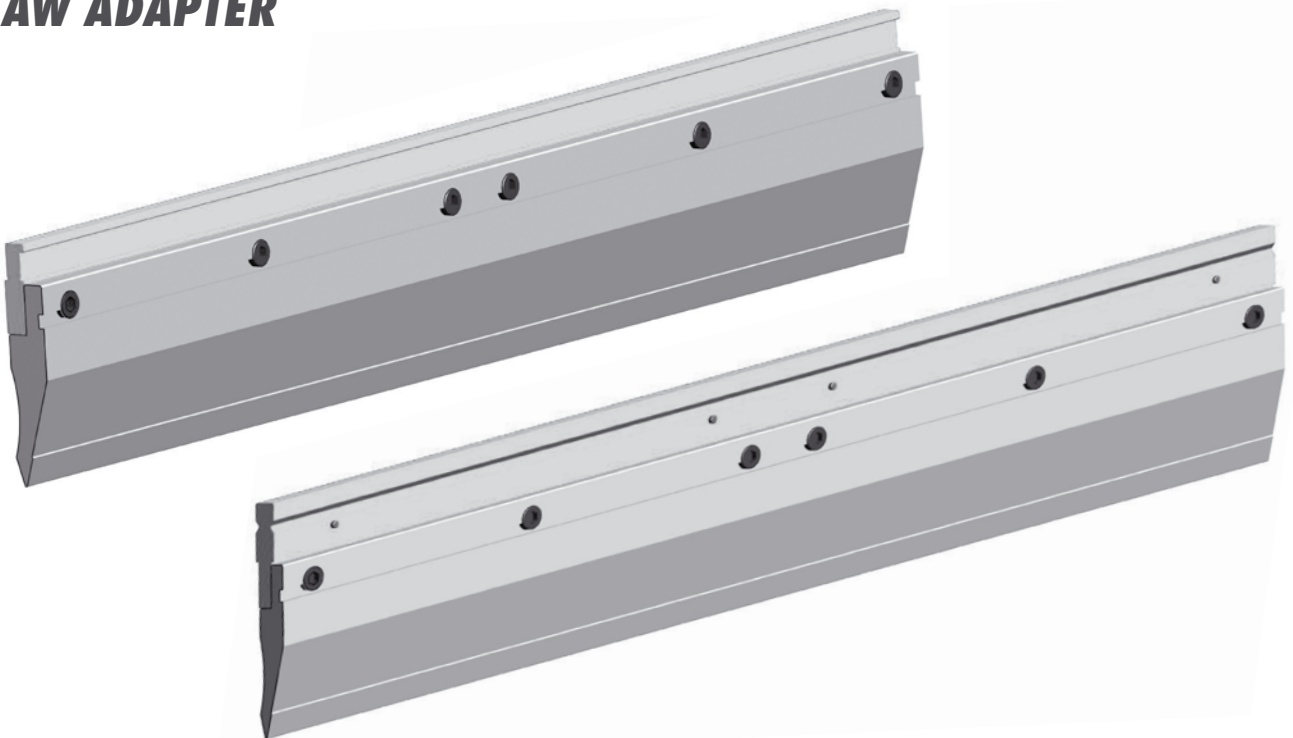
MSA .D = MAGNETIC SQUARING ARM RIGHT HAND SIDE  
MSA .S = MAGNETIC SQUARING ARM LEFT HAND SIDE

## BLACKFIRE

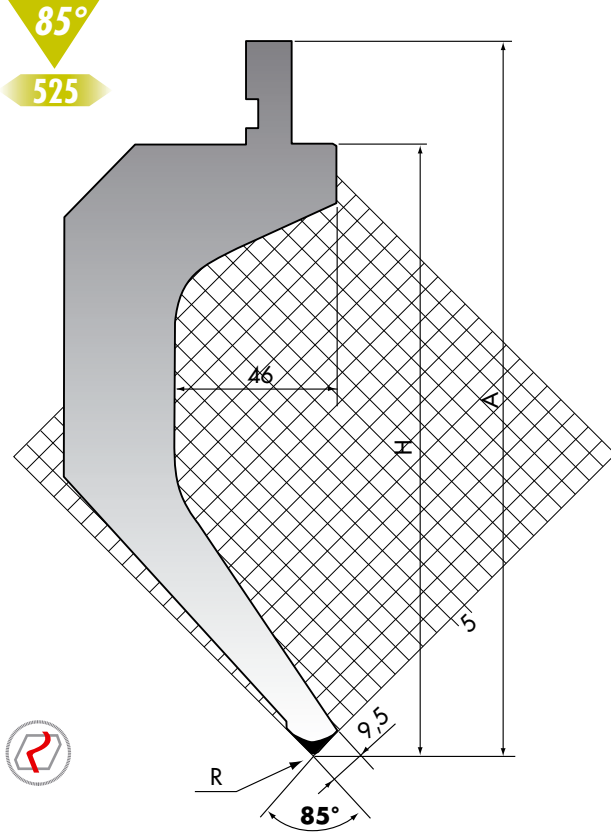


**TOOLS FOR  
PANELLING  
MACHINE**

## AW ADAPTER

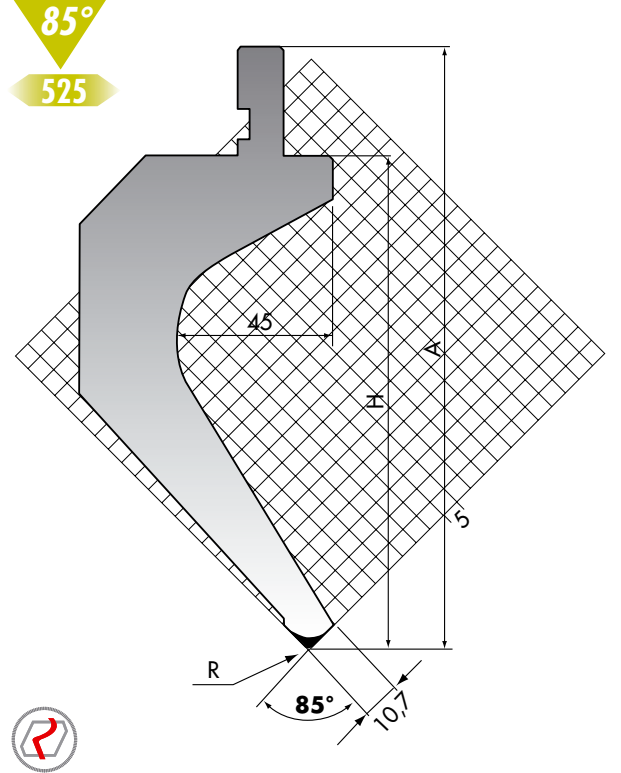


**TOP.205-85-R08/R2** **42Cr**



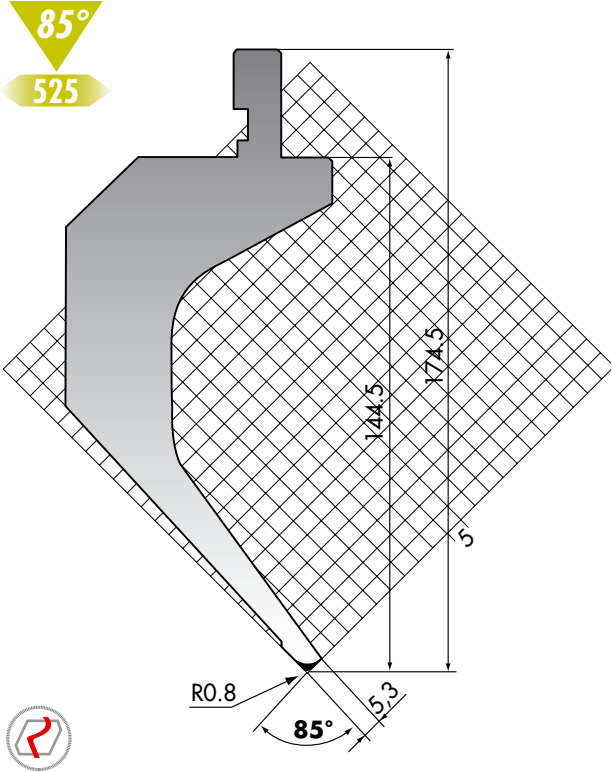
|                       | H mm  | A mm  | R mm | max t/m |
|-----------------------|-------|-------|------|---------|
| <b>TOP.205-85-R08</b> | 175   | 205   | 0,8  | 70      |
| <b>TOP.205-85-R2</b>  | 174,3 | 204,3 | 2    | 70      |

**TOP.175-85-R08/R2** **42Cr**



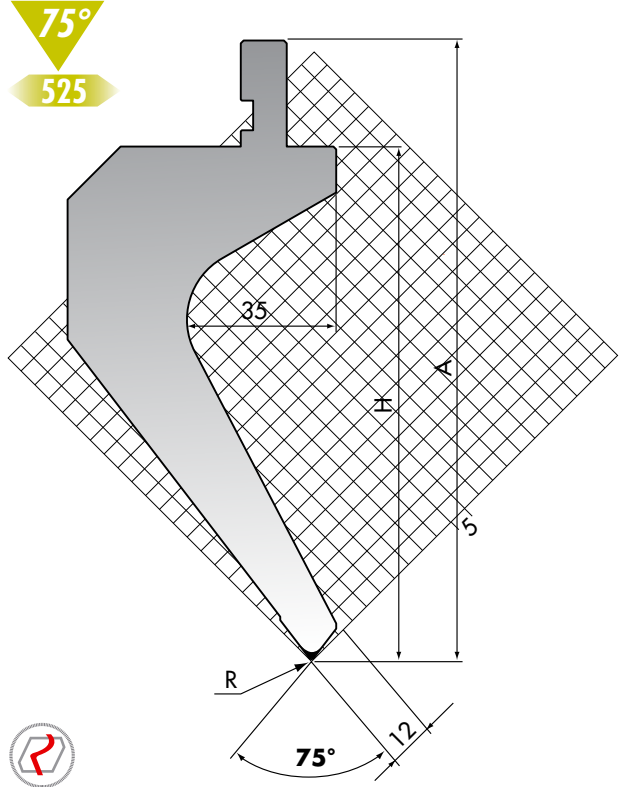
|                       | H mm  | A mm  | R mm | max t/m |
|-----------------------|-------|-------|------|---------|
| <b>TOP.175-85-R08</b> | 145   | 175   | 0,8  | 90      |
| <b>TOP.175-85-R2</b>  | 144,3 | 174,3 | 2    | 90      |

**TOP.175-85-R08-S** **42Cr**



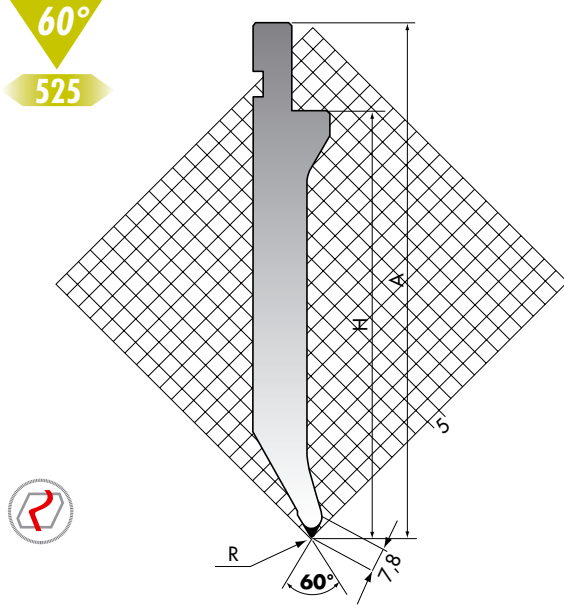
|                         | max t/m |
|-------------------------|---------|
| <b>TOP.175-85-R08-S</b> | 20      |

**TOP.175-75-R08/R2** **42Cr**



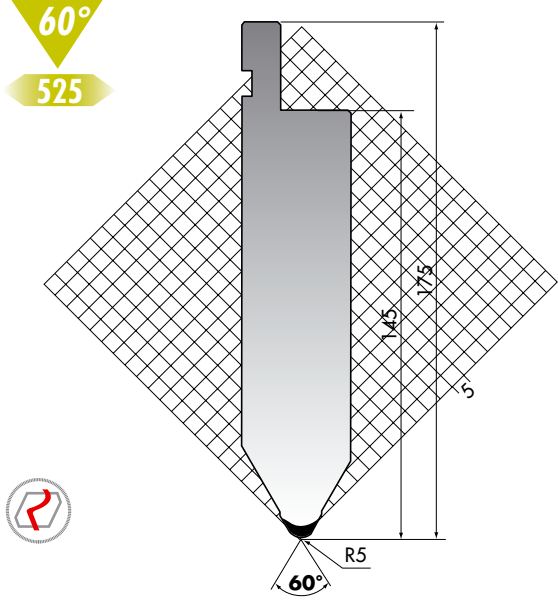
|                       | H mm  | A mm  | R mm | max t/m |
|-----------------------|-------|-------|------|---------|
| <b>TOP.175-75-R08</b> | 145   | 175   | 0,8  | 75      |
| <b>TOP.175-75-R2</b>  | 144,2 | 174,2 | 2    | 75      |

**TOP.175-60-R08/R2** **42Cr**



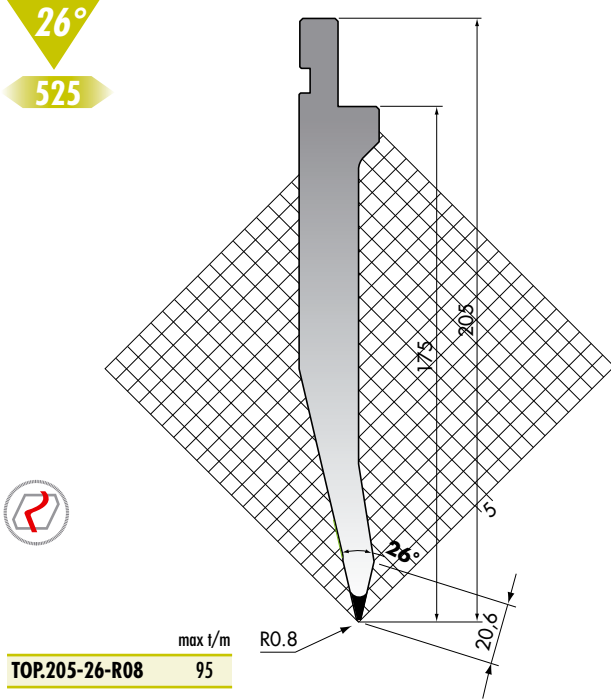
|                | H mm  | A mm  | R mm | max t/m |
|----------------|-------|-------|------|---------|
| TOP.175-60-R08 | 145   | 175   | 0,8  | 80      |
| TOP.175-60-R2  | 143,8 | 173,8 | 2    | 80      |

**TOP.175-60-R5** **42Cr**



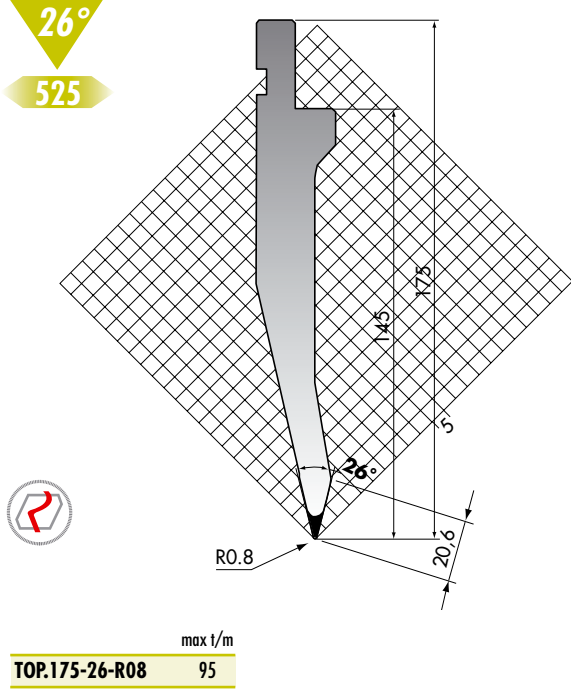
|               | max t/m |
|---------------|---------|
| TOP.175-60-R5 | 160     |

**TOP.205-26-R08** **42Cr**



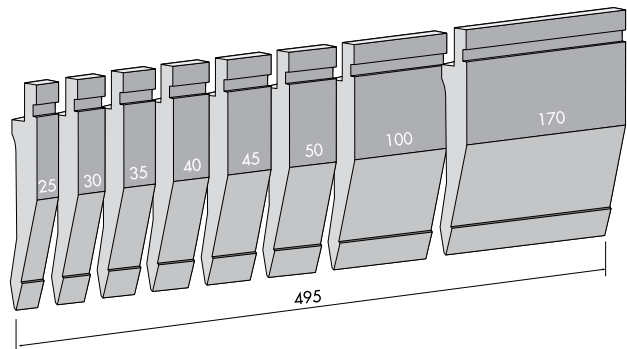
|                | max t/m |
|----------------|---------|
| TOP.205-26-R08 | 95      |

**TOP.175-26-R08** **42Cr**

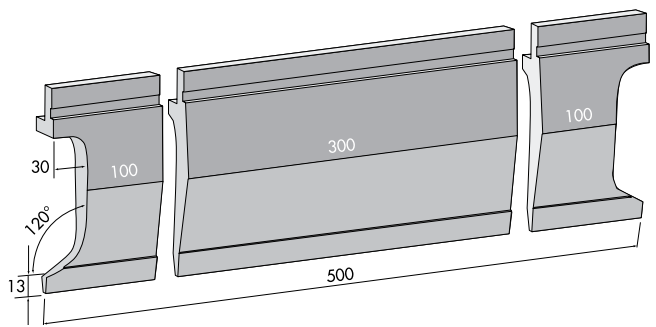


|                | max t/m |
|----------------|---------|
| TOP.175-26-R08 | 95      |

**TOP**



TOP...../FA



TOP...../FB



# PROMECAM-AMADA TYPE

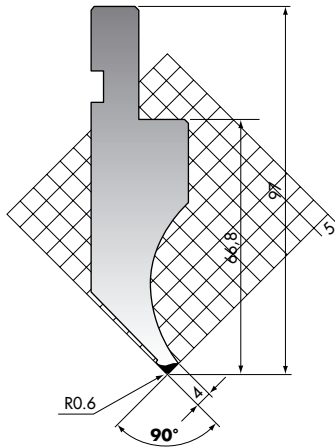
✓ HRC 54-60 (1980->2200 N/mm<sup>2</sup>)

PROMECAM-AMADA TYPE

**PK.97-90-R06** **42Cr**

90°

835

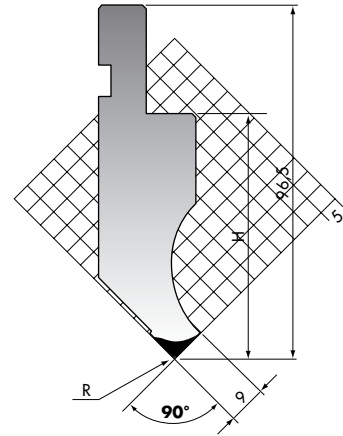


|              | max t/m |
|--------------|---------|
| PK.97-90-R06 | 35      |

**PK.97-90-R08** **PK.97-90-R025** **C45**

90°

835

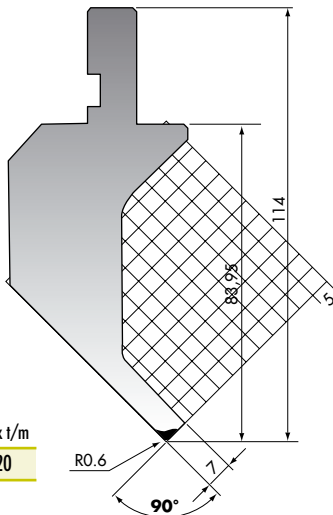


|               | H mm  | R mm | max t/m |
|---------------|-------|------|---------|
| PK.97-90-R08  | 66,35 | 0,8  | 100     |
| PK.97-90-R025 | 66,6  | 0,25 | 100     |

**PK.114-90-R06** **42Cr**

90°

835

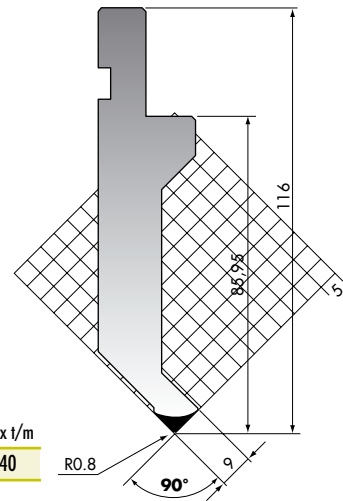


|               | max t/m |
|---------------|---------|
| PK.114-90-R06 | 20      |

**PK.116-90-R08** **C45**

90°

835

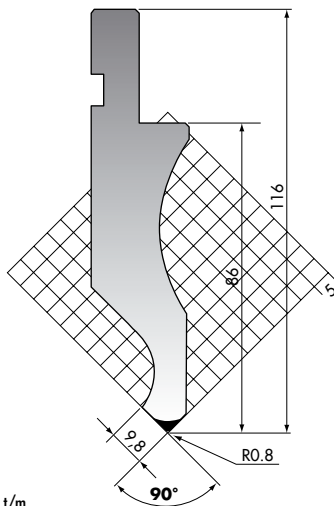


|               | max t/m |
|---------------|---------|
| PK.116-90-R08 | 40      |

**DK.116-90-R08** **C45**

90°

835

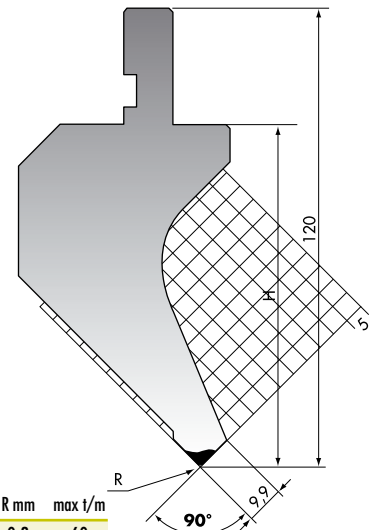


|               | max t/m |
|---------------|---------|
| DK.116-90-R08 | 50      |

**PK.120-90-R08** **PK.120-90-R025** **C45**

90°

835



|                | H mm  | R mm | max t/m |
|----------------|-------|------|---------|
| PK.120-90-R08  | 89,35 | 0,8  | 60      |
| PK.120-90-R025 | 89,6  | 0,25 | 60      |

# PROMECAM-AMADA TYPE

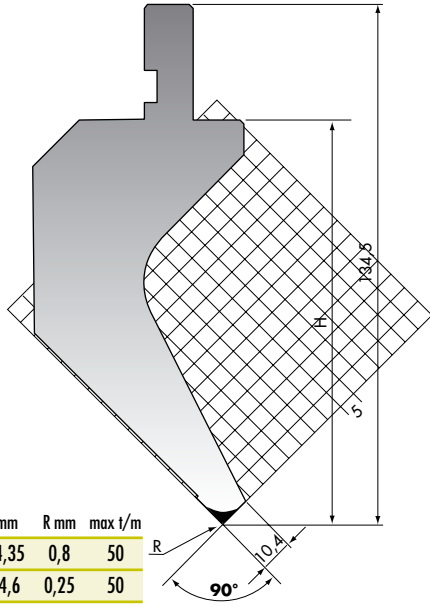
HRc 54-60 (1980->2200 N/mm<sup>2</sup>)

PROMECAM-AMADA TYPE

**PK.135-90-R08 PK.135-90-R025 C45**

90°

835

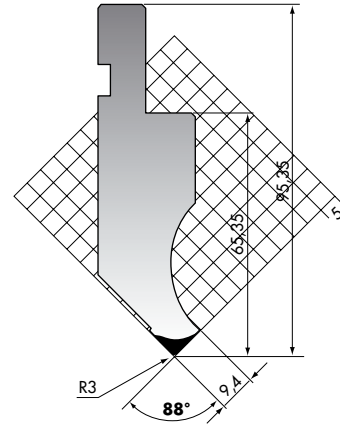


|                | H mm   | R mm | max t/m |
|----------------|--------|------|---------|
| PK.135-90-R08  | 104,35 | 0,8  | 50      |
| PK.135-90-R025 | 104,6  | 0,25 | 50      |

**P.95-88-R3 C45**

88°

835



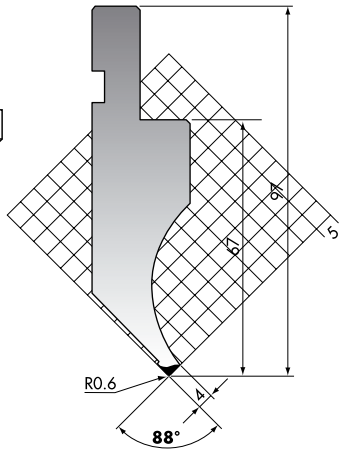
|            | max t/m |
|------------|---------|
| P.95-88-R3 | 100     |

**P.97-88-R06 42Cr**

88°

835

900



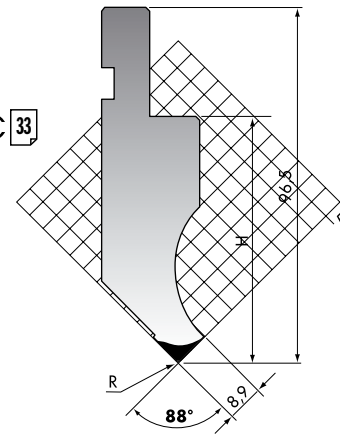
|             | R mm | max t/m |
|-------------|------|---------|
| P.97-88-R06 | 0,6  | 35      |

**P.97-88-R08 PK.97-88-R025 C45**

88°

835

900

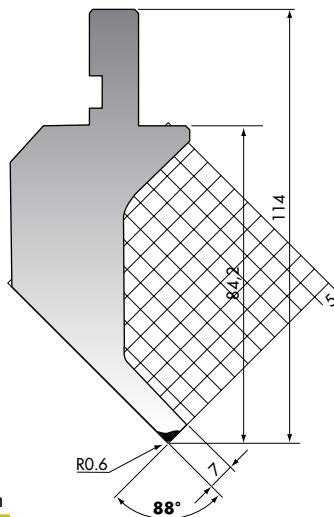


|               | H mm  | R mm | max t/m |
|---------------|-------|------|---------|
| P.97-88-R08   | 66,65 | 0,8  | 100     |
| PK.97-88-R025 | 66,6  | 0,25 | 100     |

**P.114-88-R06 42Cr**

88°

835

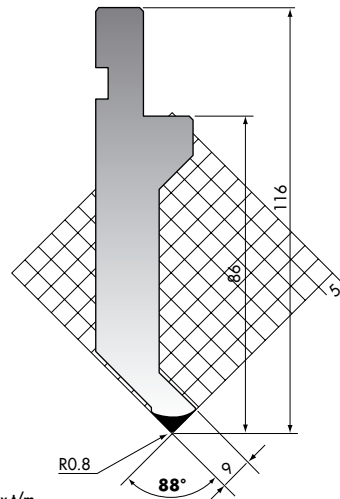


|              | max t/m |
|--------------|---------|
| P.114-88-R06 | 20      |

**P.116-88-R08 C45**

88°

835



|              | max t/m |
|--------------|---------|
| P.116-88-R08 | 40      |

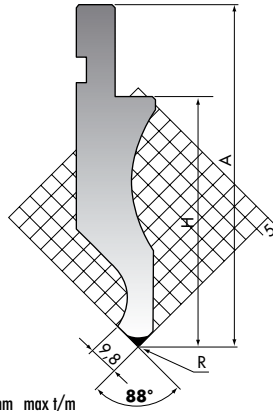
# PROMECAM-AMADA TYPE

✓ HRC 54-60 (1980->2200 N/mm<sup>2</sup>)

## D.116-88-R08 D.116-88-R3 C45

88°

835

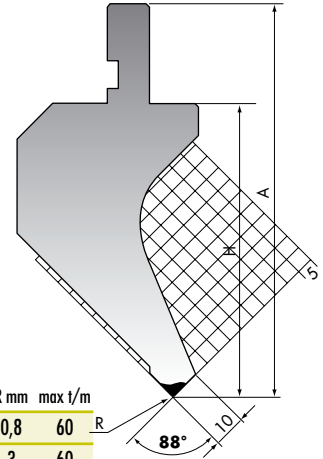


|              | H mm | A mm | R mm | max t/m |
|--------------|------|------|------|---------|
| D.116-88-R08 | 86   | 116  | 0,8  | 50      |
| D.116-88-R3  | 85   | 115  | 3    | 50      |

## P.120-88-R08 ÷ PK.120-88-R025 C45

88°

835

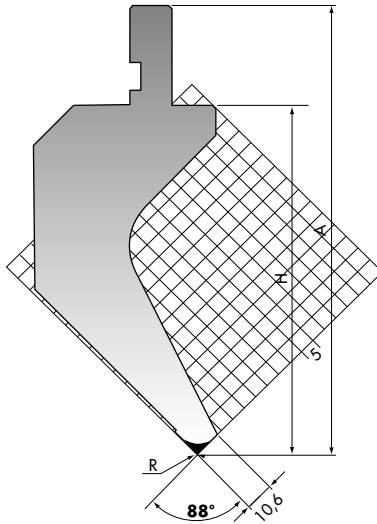


|                | H mm  | A mm  | R mm | max t/m |
|----------------|-------|-------|------|---------|
| P.120-88-R08   | 89,65 | 120   | 0,8  | 60      |
| P.120-88-R3    | 88,5  | 118,5 | 3    | 60      |
| PK.120-88-R025 | 89,6  | 120   | 0,25 | 60      |

## P.135-88-R08 ÷ PK.135-88-R025 C45

88°

835

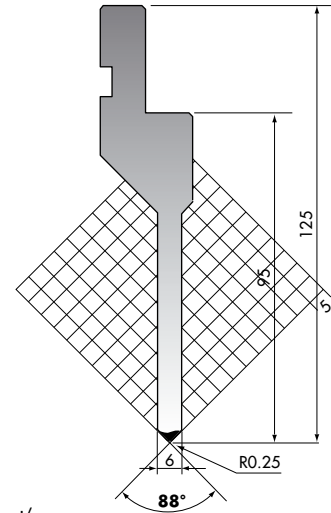


|                | H mm   | A mm  | R mm | max t/m |
|----------------|--------|-------|------|---------|
| P.135-88-R08   | 104,65 | 134,5 | 0,8  | 50      |
| P.135-88-R3    | 103,4  | 133,4 | 3    | 50      |
| PK.135-88-R025 | 104,6  | 134,5 | 0,25 | 50      |

## P.125-88-R025 42Cr

88°

835

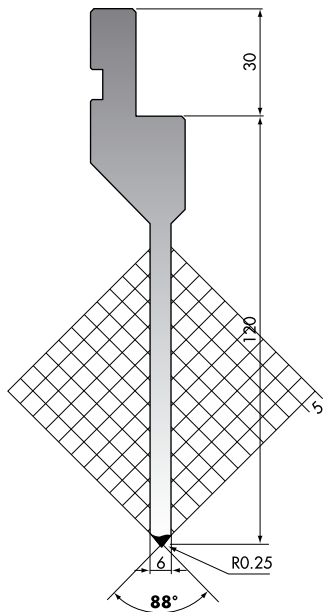


|               | max t/m |
|---------------|---------|
| P.125-88-R025 | 50      |

## P.150.88.R025-L 42Cr

88°

900

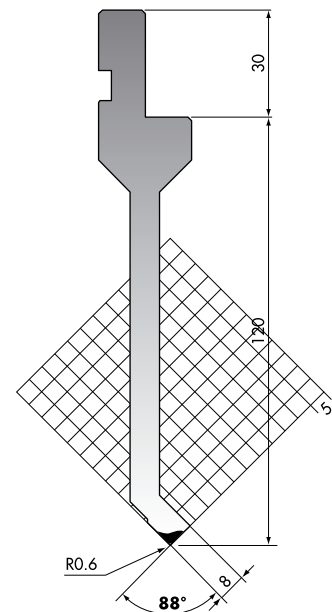


|                 | max t/m |
|-----------------|---------|
| P.150-88-R025-L | 50      |

## P.150.88.R06-L 42Cr

88°

900



|                | max t/m |
|----------------|---------|
| P.150-88-R06-L | 35      |

PROMECAM-AMADA TYPE

# PROMECAM-AMADA TYPE

HRc 54-60 (1980->2200 N/mm<sup>2</sup>)

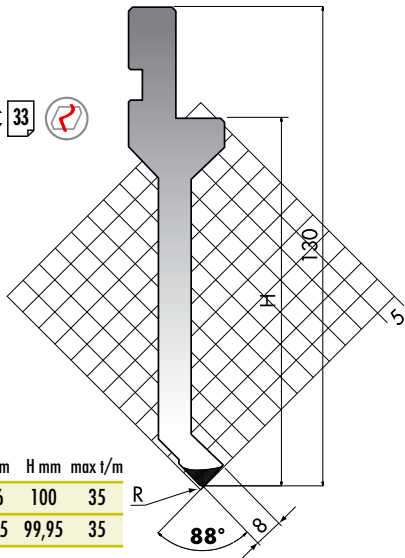
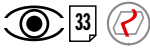
PROMECAM-AMADA TYPE

**P.130-88-R06 PK.130-88-025 42Cr**

88°

835

900

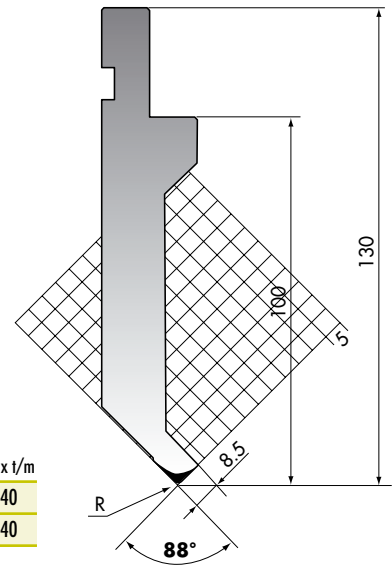


|                | R mm | H mm  | max t/m |
|----------------|------|-------|---------|
| P.130-88-R06   | 0,6  | 100   | 35      |
| PK.130-88-R025 | 0,25 | 99,95 | 35      |

**P.130-88-R08 P.130-88-R025 C45**

88°

835

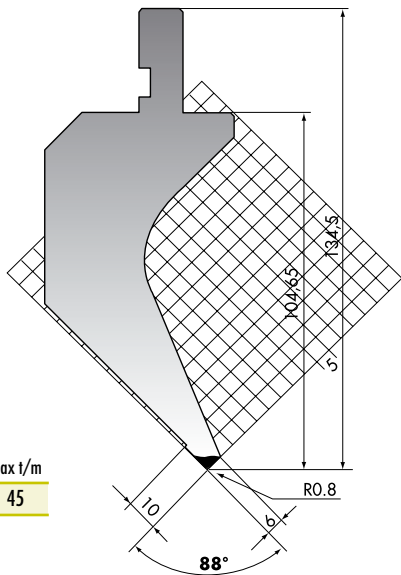


|               | R mm | max t/m |
|---------------|------|---------|
| P.130-88-R08  | 0,8  | 40      |
| P.130-88-R025 | 0,25 | 40      |

**PS.135-88-R08 C45**

88°

835

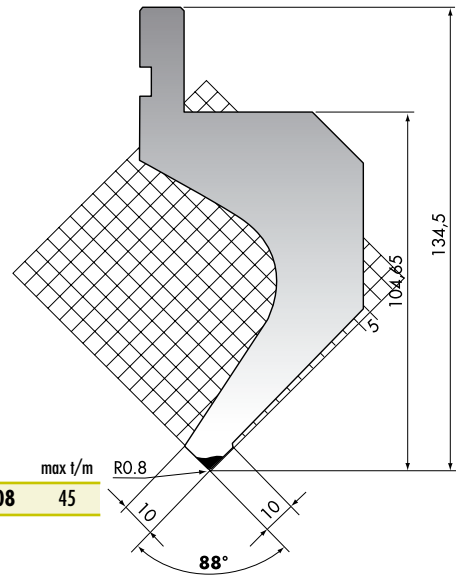


|               | max t/m |
|---------------|---------|
| PS.135-88-R08 | 45      |

**PR.135-88-R08 C45**

88°

835



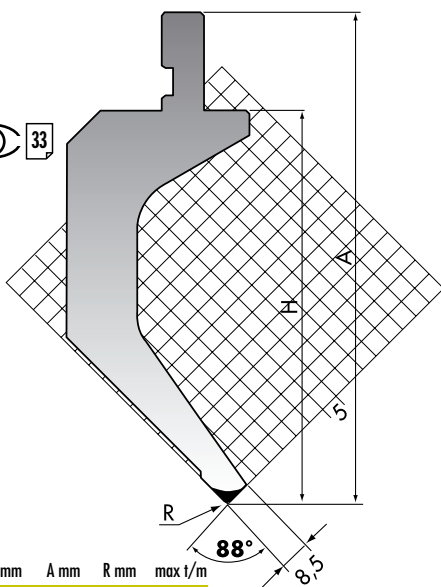
|               | max t/m |
|---------------|---------|
| PR.135-88-R08 | 45      |

**P.150-88-R08/R3 42Cr**

88°

835

900

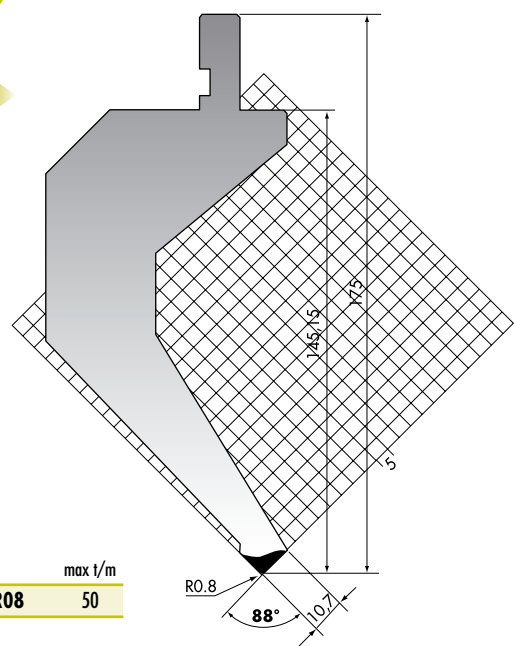


|              | H mm | A mm | R mm | max t/m |
|--------------|------|------|------|---------|
| P.150-88-R08 | 120  | 150  | 0,8  | 50      |
| P.150-88-R3  | 119  | 149  | 3    | 50      |

**P.175-88-R08 C45**

88°

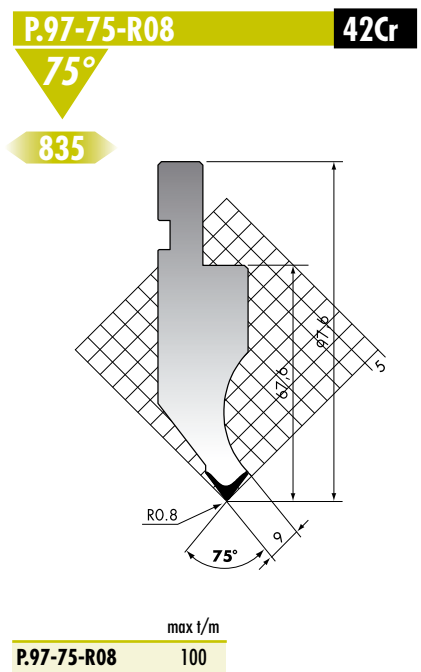
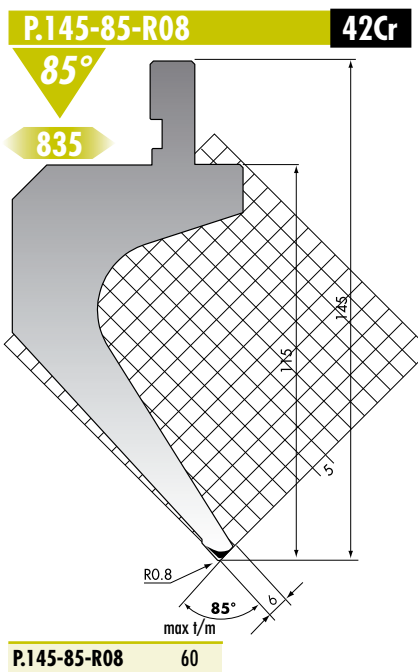
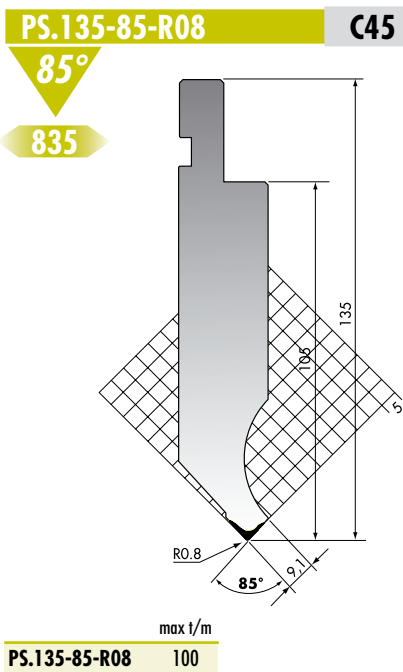
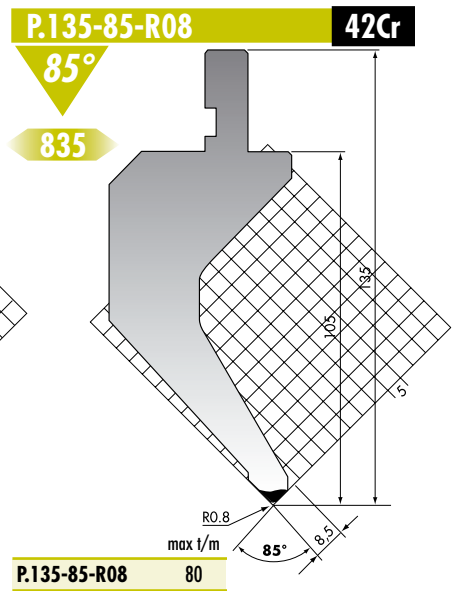
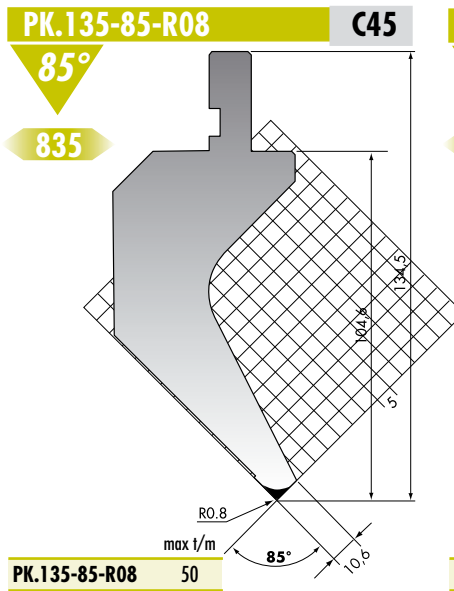
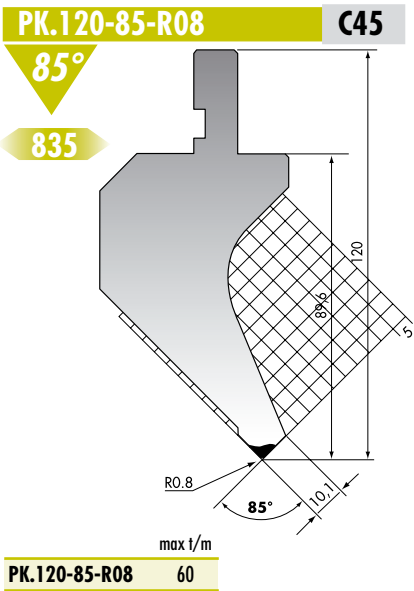
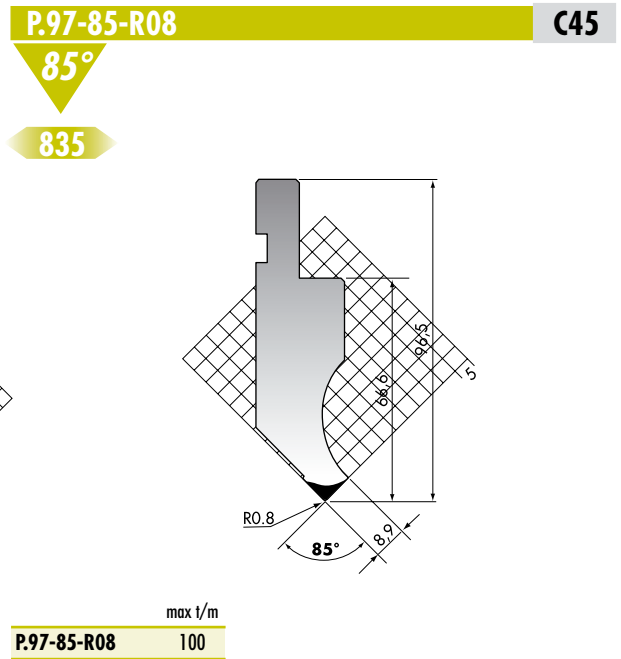
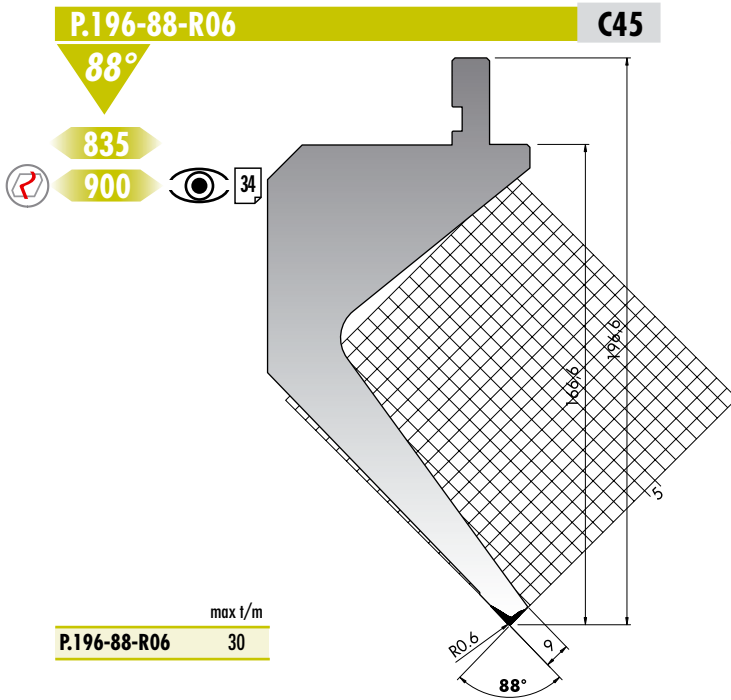
835



|              | max t/m |
|--------------|---------|
| P.175-88-R08 | 50      |

# PROMECAM-AMADA TYPE

Hrc 54-60 (1980->2200 N/mm<sup>2</sup>)



PROMECAM-AMADA TYPE

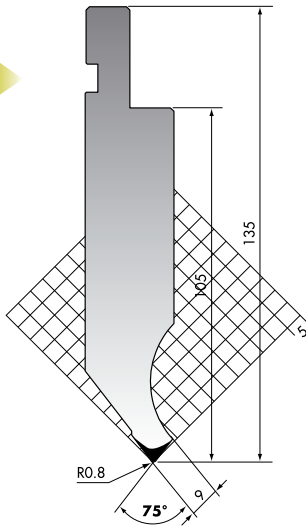
**C45** 560-710 N/mm<sup>2</sup>

**42Cr** 900-1150 N/mm<sup>2</sup>

**P.135-75-R08 42Cr**

75°

835

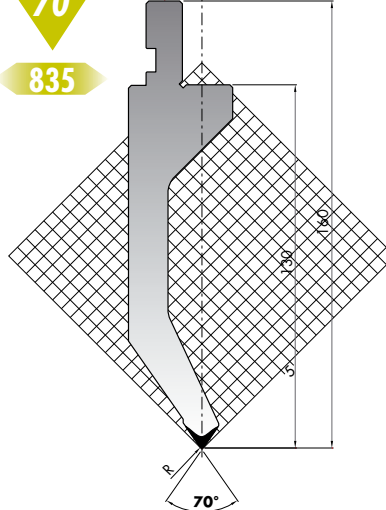


|              | max t/m |
|--------------|---------|
| P.135-75-R08 | 100     |

**P.160-70-R08 / R3 42Cr**

70°

835

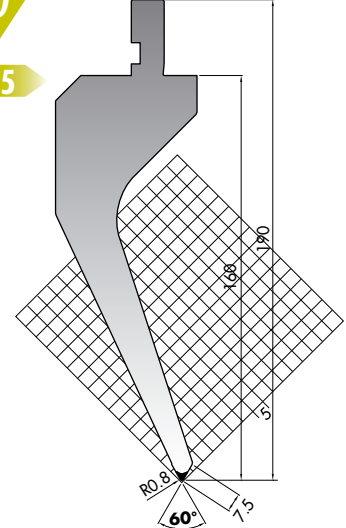


|              | R mm | max t/m |
|--------------|------|---------|
| P.160-70-R08 | 0,8  | 45      |
| P.160-70-R3  | 3    | 45      |

**P.190-60-R08 C45**

60°

835

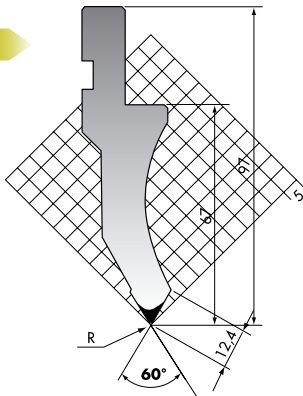


|              | max t/m |
|--------------|---------|
| P.190-60-R08 | 40      |

**P.97-60-R08 P.97-60-R2 C45**

60°

835

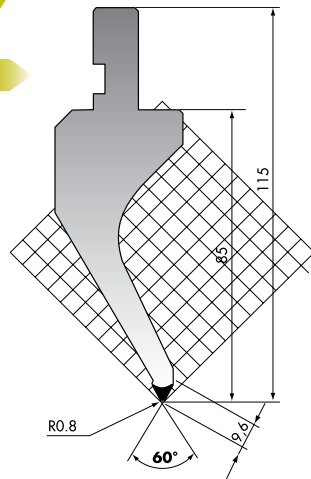


|             | R mm | max t/m |
|-------------|------|---------|
| P.97-60-R08 | 0,8  | 60      |
| P.97-60-R2  | 2    | 60      |

**P.115-60-R08 42Cr**

60°

835

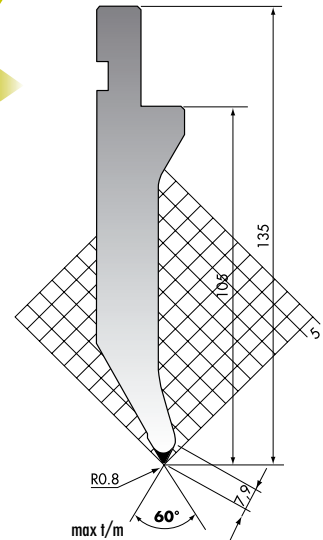


|              | max t/m |
|--------------|---------|
| P.115-60-R08 | 40      |

**P.135-60-R08 42Cr**

60°

835

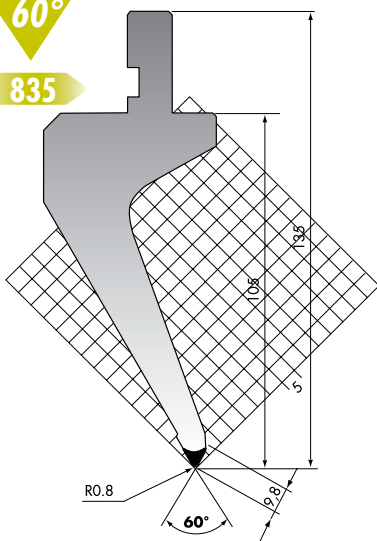


|              | max t/m |
|--------------|---------|
| P.135-60-R08 | 80      |

**PG.135-60-R08 42Cr**

60°

835

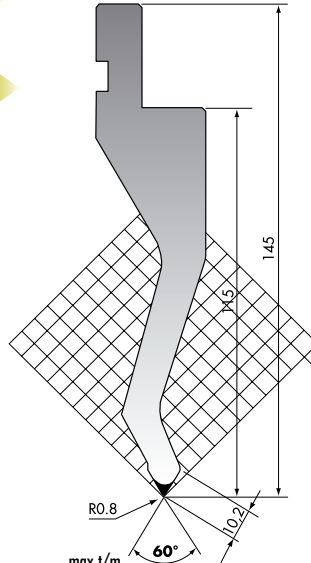


|               | max t/m |
|---------------|---------|
| PG.135-60-R08 | 70      |

**P.145-60-R08 42Cr**

60°

835

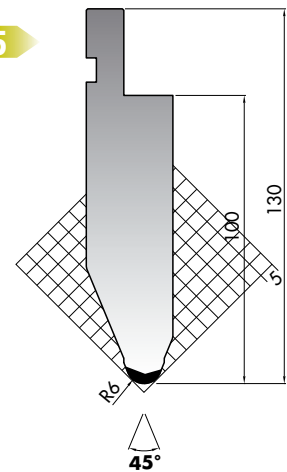


|              | max t/m |
|--------------|---------|
| P.145-60-R08 | 70      |

**P.130-45-R6 C45**

45°

835



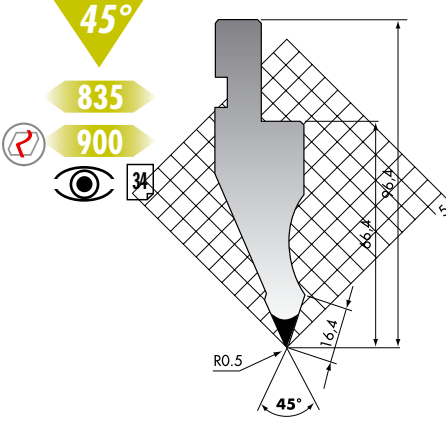
|             | max t/m |
|-------------|---------|
| P.130-45-R6 | 100     |

# PROMECAM-AMADA TYPE

✓ HRC 54-60 (1980->2200 N/mm<sup>2</sup>)

PROMECAM-AMADA TYPE

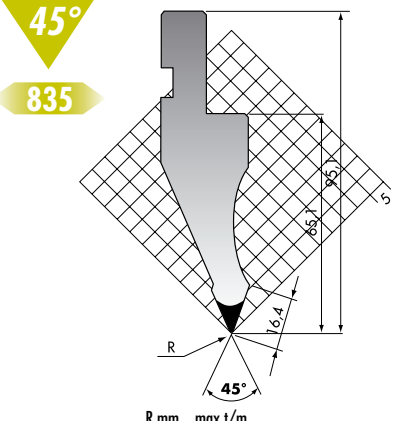
**P.97-45-R05** **C45**



835  
900

|                    |    |
|--------------------|----|
| max t/m            |    |
| <b>P.97-45-R05</b> | 80 |

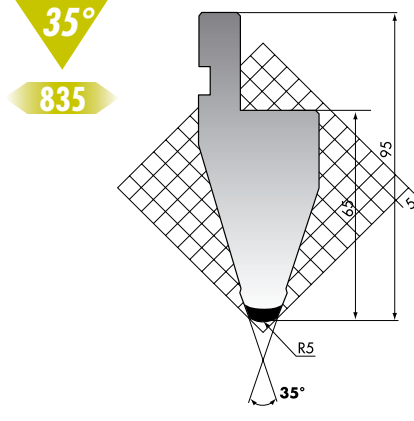
**P.95-45-R08/R15** **C45**



835

|                    |      |         |
|--------------------|------|---------|
|                    | R mm | max t/m |
| <b>P.95-45-R08</b> | 0,8  | 80      |
| <b>P.95-45-R15</b> | 1,5  | 80      |

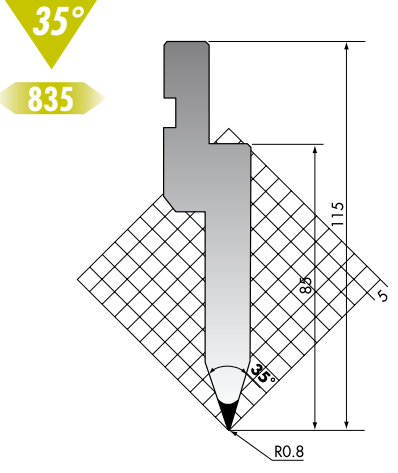
**P.95-35-R5** **C45**



835

|                   |     |
|-------------------|-----|
| max t/m           |     |
| <b>P.95-35-R5</b> | 100 |

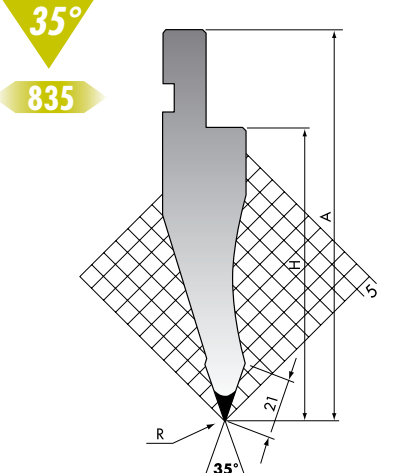
**PU.85-35-R08** **C45**



835

|                     |     |
|---------------------|-----|
| max t/m             |     |
| <b>PU.85-35-R08</b> | 100 |

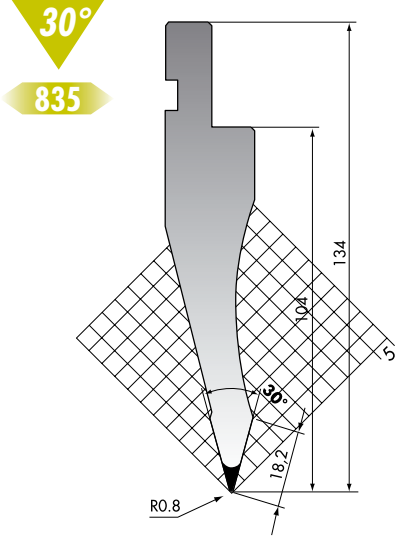
**P.116-35-R08-P.120-35-R3** **C45**



835

|                     |      |      |      |         |
|---------------------|------|------|------|---------|
|                     | H mm | A mm | R mm | max t/m |
| <b>P.116-35-R08</b> | 86   | 116  | 0,8  | 70      |
| <b>P.116-35-R15</b> | 86   | 116  | 1,5  | 70      |
| <b>P.120-35-R08</b> | 90   | 120  | 0,8  | 70      |
| <b>P.120-35-R15</b> | 90   | 120  | 1,5  | 70      |
| <b>P.120-35-R3</b>  | 90   | 120  | 3,0  | 70      |

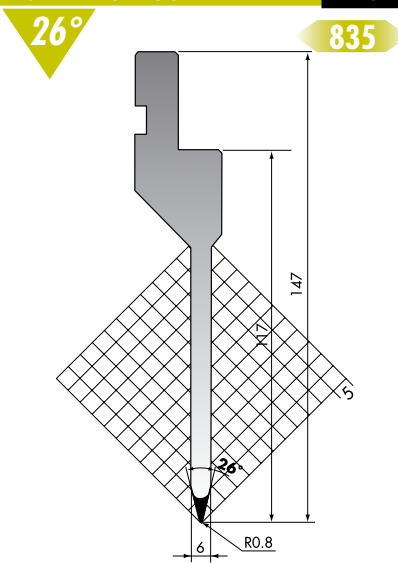
**PS.134-30-R08** **C45**



835

|                      |    |
|----------------------|----|
| max t/m              |    |
| <b>PS.134-30-R08</b> | 70 |

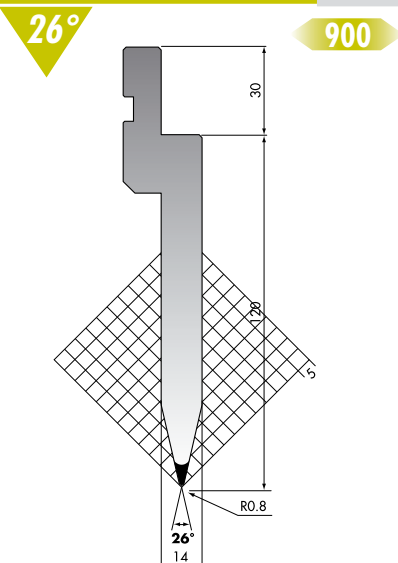
**P.147-26-R08** **42Cr**



835

|                     |    |
|---------------------|----|
| max t/m             |    |
| <b>P.147-26-R08</b> | 50 |

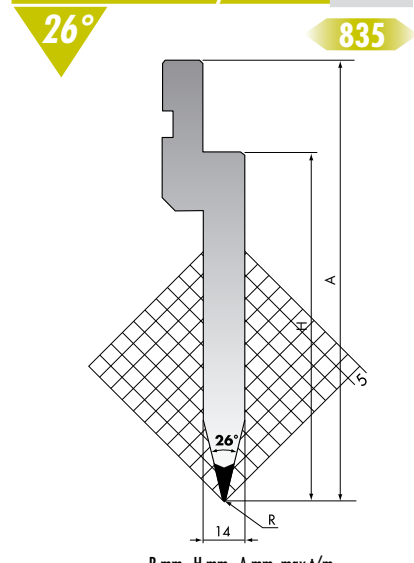
**PU.150-26-R08-L** **C45**



900

|                        |     |
|------------------------|-----|
| max t/m                |     |
| <b>PU.150-26-R08-L</b> | 100 |

**PU.117-26-R08/R3** **C45**



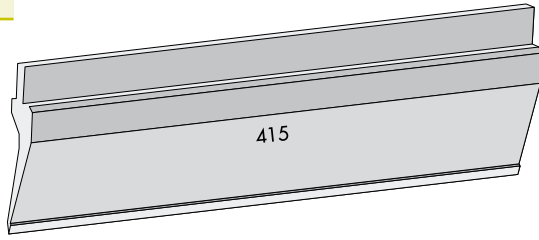
835

|                      |      |      |      |         |
|----------------------|------|------|------|---------|
|                      | R mm | H mm | A mm | max t/m |
| <b>PU.117-26-R08</b> | 0,8  | 117  | 147  | 100     |
| <b>PU.117-26-R3</b>  | 3    | 109  | 139  | 100     |

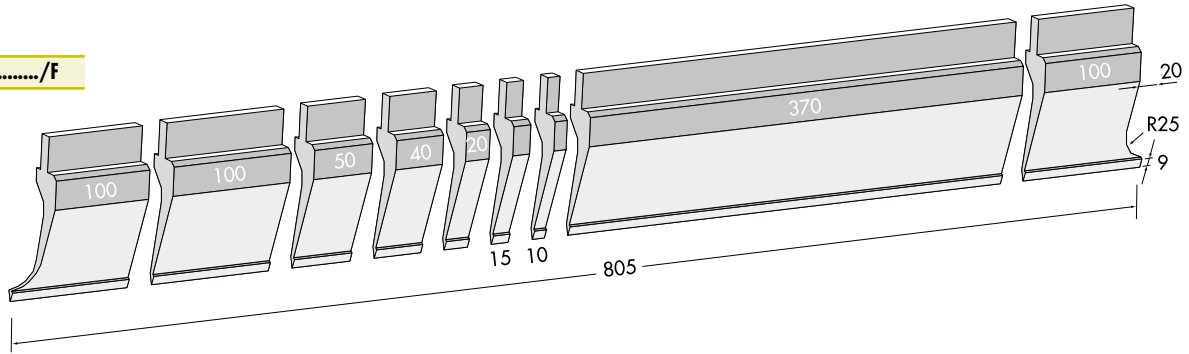
**C45** 560-710 N/mm<sup>2</sup>

**42Cr** 900-1150 N/mm<sup>2</sup>

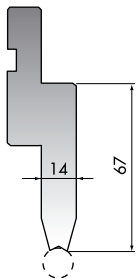
...../C



...../F



**PU.67-14-S C45**  
830



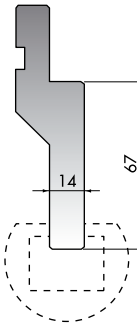
~~F~~  
max t/m  
**PU.67-14-S** 40

**C3 ÷ C7,5 C45**  
835

| R mm            | R mm            |
|-----------------|-----------------|
| <b>C3</b> 3     | <b>C5,5</b> 5,5 |
| <b>C3,5</b> 3,5 | <b>C6</b> 6     |
| <b>C4</b> 4     | <b>C6,5</b> 6,5 |
| <b>C4,5</b> 4,5 | <b>C7</b> 7     |
| <b>C5</b> 5     | <b>C7,5</b> 7,5 |

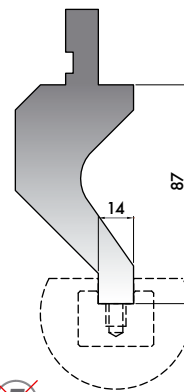
~~F~~

**PU.67-14 C45**  
830



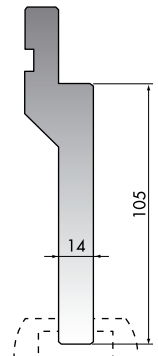
~~F~~  
max t/m  
**PU.67-14** 80

**PU.87-14 C45**  
830



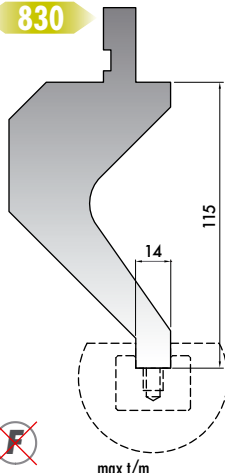
~~F~~  
max t/m  
**PU.87-14** 80

**PU.105-14 C45**  
830



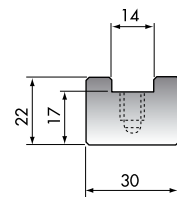
~~F~~  
max t/m  
**PU.105-14** 80

**PU.115-14 C45**  
830



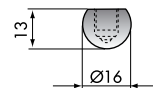
~~F~~  
max t/m  
**PU.115-14** 80

**E30-22 C45**  
835



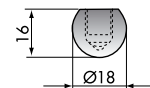
~~F~~  
max t/m  
**E30-22** 80

**C13-08 C45**  
835



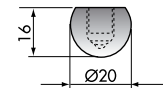
~~F~~  
max t/m  
**C13-08** 80

**C13-09 C45**  
835



~~F~~  
max t/m  
**C13-09** 80

**C16-10 C45**  
835



~~F~~  
max t/m  
**C16-10** 80



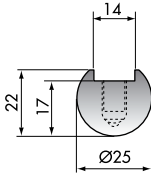
# PROMECAM-AMADA TYPE

✓ HRC 54-60 (1980->2200 N/mm<sup>2</sup>)

PROMECAM-AMADA TYPE

**C17-12** C45

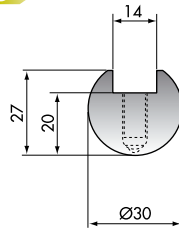
835



max t/m  
**C17-12** 80 ~~F~~

**C20-15** C45

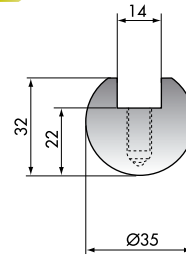
835



max t/m  
**C20-15** 80 ~~F~~

**C22-17** C45

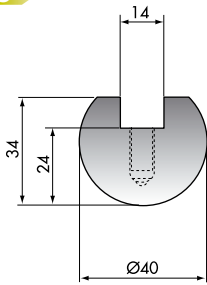
835



max t/m  
**C22-17** 80 ~~F~~

**C24-20** C45

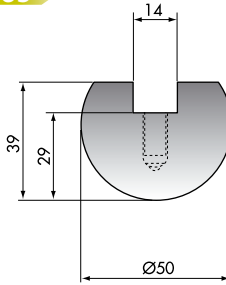
835



max t/m  
**C24-20** 80 ~~F~~

**C29-25** C45

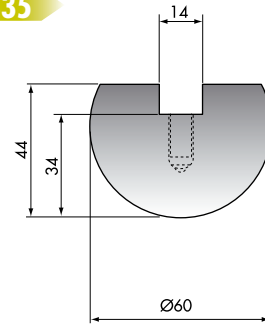
835



max t/m  
**C29-25** 80 ~~F~~

**C34-30** C45

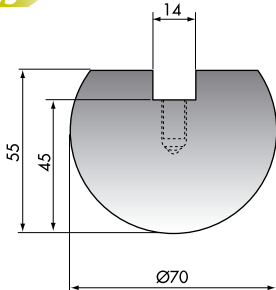
835



max t/m  
**C34-30** 80 ~~F~~

**C45-35** C45

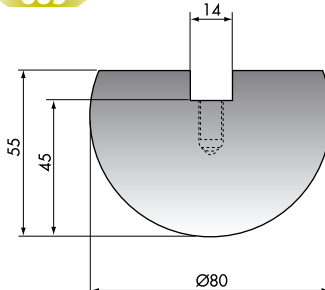
835



max t/m  
**C45-35** 80 ~~F~~

**C45-40** C45

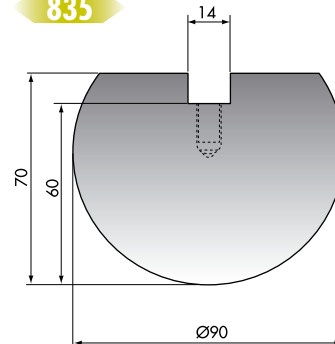
835



max t/m  
**C45-40** 80 ~~F~~

**C60-45** C45

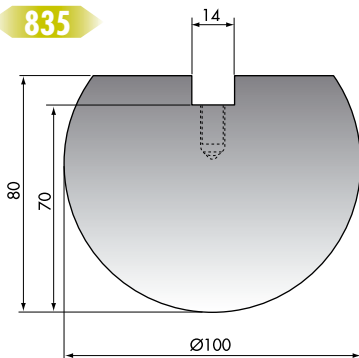
835



max t/m  
**C60-45** 80 ~~F~~

**C70-50** C45

835

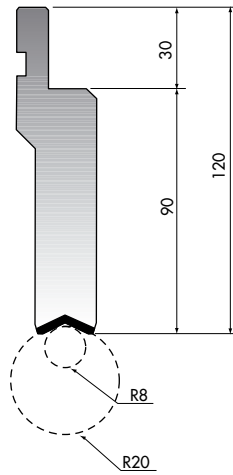


max t/m  
**C70-50** 80 ~~F~~



**TOP.PC.120-08 42Cr**

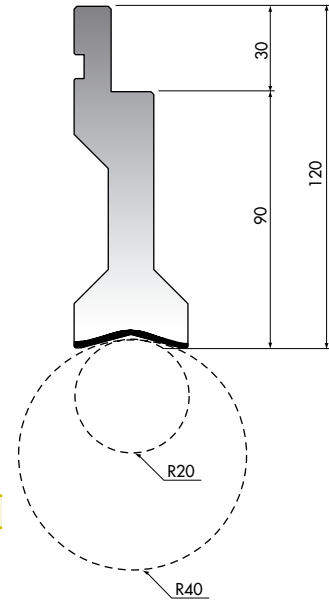
522



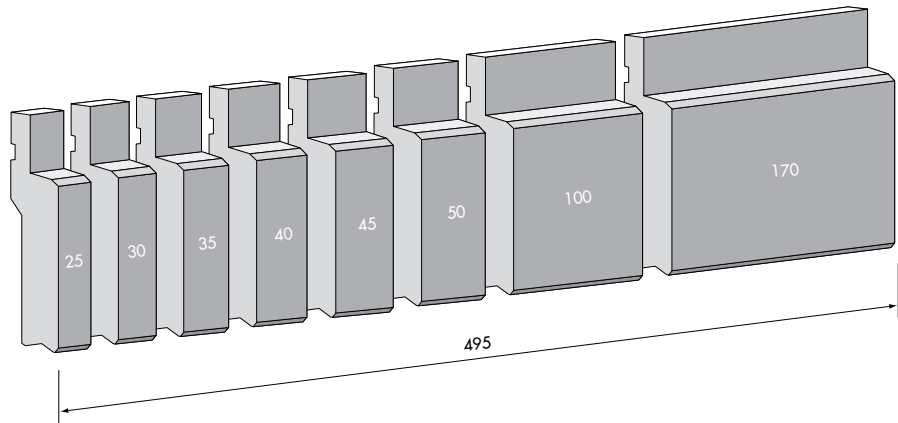
| TOP.PC.120-08 | max t/m |
|---------------|---------|
|               | 100     |

**TOP.PC.120-20 42Cr**

522  
mm



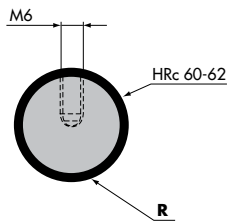
| TOP.PC.120-20 | max t/m |
|---------------|---------|
|               | 100     |



|                 |
|-----------------|
| TOP.PC.120-08/F |
| TOP.PC.120-20/F |

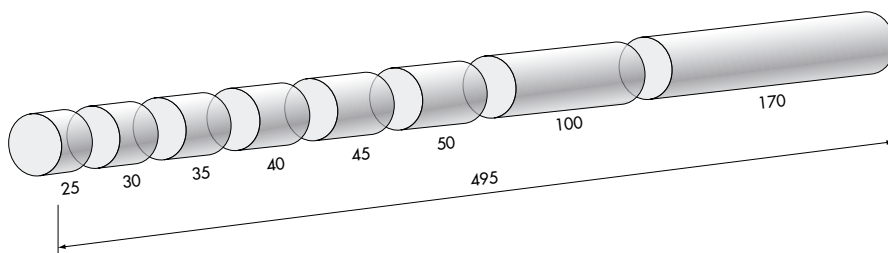
**TOP.C08 ÷ TOP.C40 C45**

525



|           | R mm | max t/m |
|-----------|------|---------|
| TOP.C08   | 8    | 100     |
| TOP.C10   | 10   | 100     |
| TOP.C12.5 | 12,5 | 100     |
| TOP.C15   | 15   | 100     |
| TOP.C17.5 | 17,5 | 100     |

|         | R mm | max t/m |
|---------|------|---------|
| TOP.C20 | 20   | 100     |
| TOP.C25 | 25   | 100     |
| TOP.C30 | 30   | 100     |
| TOP.C35 | 35   | 100     |
| TOP.C40 | 40   | 100     |



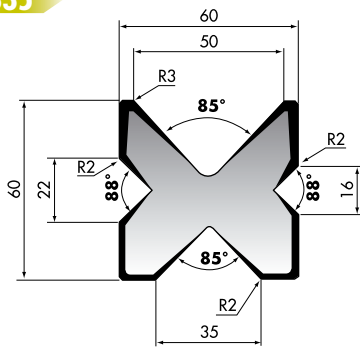
# PROMECAM-AMADA TYPE

HRc 54-60 (1980->2200 N/mm<sup>2</sup>)

PROMECAM-AMADA TYPE

**M460** C45  
88° 85°

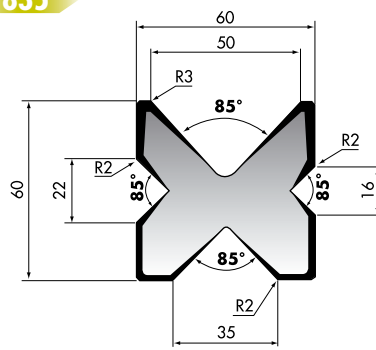
835



|         |    |
|---------|----|
| max t/m | 80 |
|---------|----|

**M460-R** C45  
85°

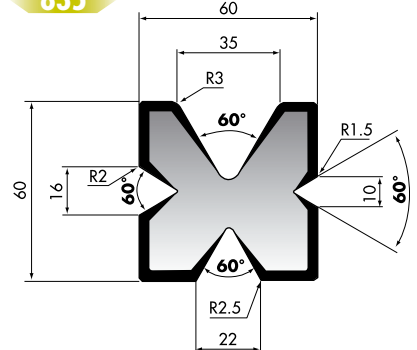
835



|         |    |
|---------|----|
| max t/m | 80 |
|---------|----|

**M460-60** C45  
60°

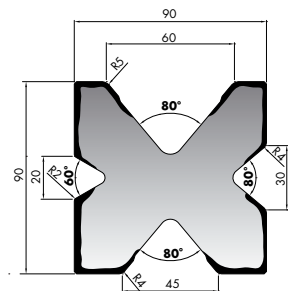
835



|         |    |
|---------|----|
| max t/m | 60 |
|---------|----|

**M490** C45  
80° 60°

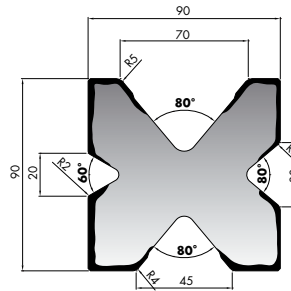
835



|         |     |
|---------|-----|
| max t/m | 100 |
|---------|-----|

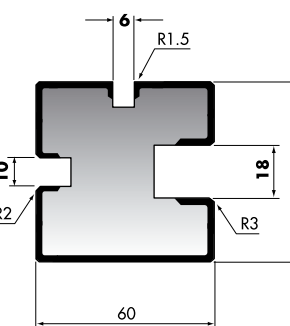
**M490-70** C45  
80° 60°

835



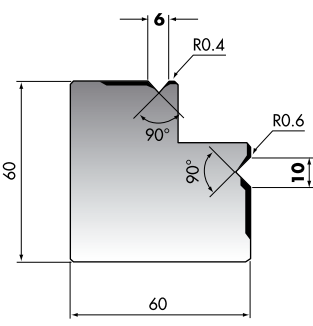
|         |    |
|---------|----|
| max t/m | 60 |
|---------|----|

**M360R** C45  
835



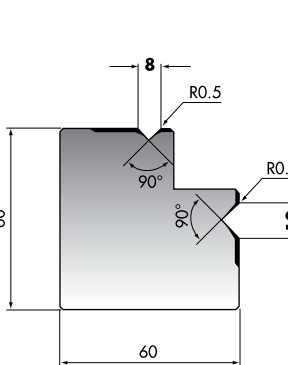
|         |     |
|---------|-----|
| max t/m | 100 |
|---------|-----|

**M60-90-01** C45  
835



|         |     |
|---------|-----|
| max t/m | 100 |
|---------|-----|

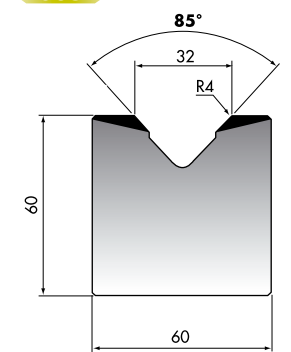
**M60-90-02** C45  
835



|         |    |
|---------|----|
| max t/m | 80 |
|---------|----|

**M60-85-32** C45  
85°

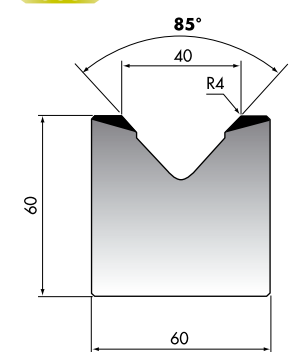
835



|         |     |
|---------|-----|
| max t/m | 100 |
|---------|-----|

**M60-85-40** C45  
85°

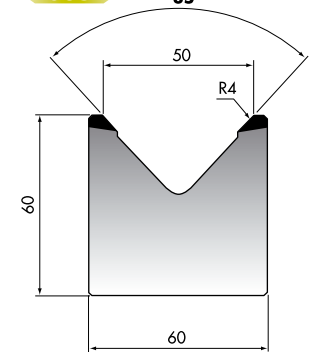
835



|         |     |
|---------|-----|
| max t/m | 100 |
|---------|-----|

**M60-85-50** C45  
85°

835

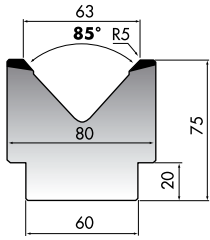


|         |     |
|---------|-----|
| max t/m | 100 |
|---------|-----|

# PROMECAM-AMADA TYPE

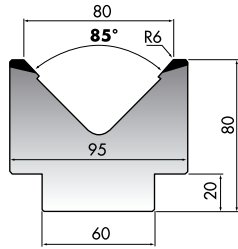
HRc 54-60 (1980->2200 N/mm<sup>2</sup>)

**M75-85-63** C45  
85°  
835



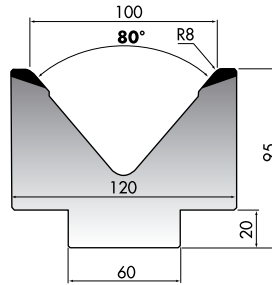
max t/m  
**M75-85-63** 100

**M80-85-80** C45  
85°  
835



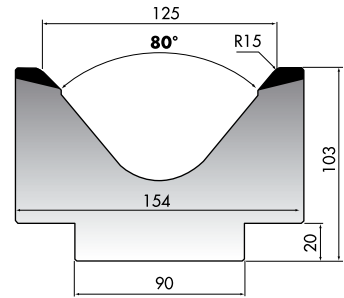
max t/m  
**M80-85-80** 100

**M95-80-100** C45  
80°  
835



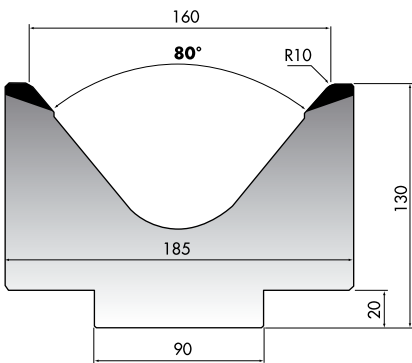
max t/m  
**M95-80-100** 100

**M103-80-125** C45  
80°  
835



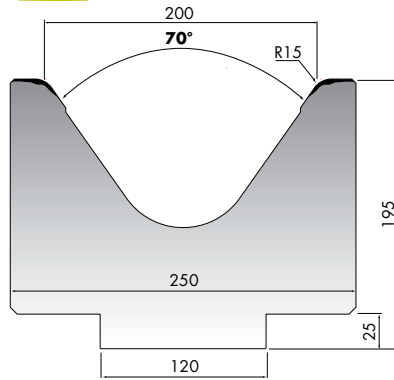
max t/m  
**M103-80-125** 100

**M130-80-160** C45  
80°  
835



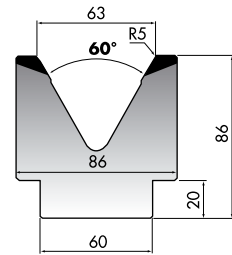
max t/m  
**M130-80-160** 100

**M195-70-200** 42Cr  
70°  
415



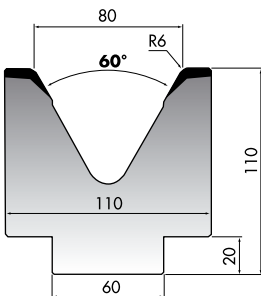
max t/m  
**M195-70-200** 180

**M86-60-63** C45  
60°  
835



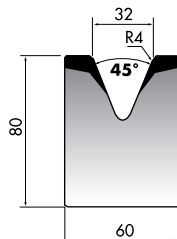
max t/m  
**M86-60-63** 100

**M110-60-80** C45  
60°  
835



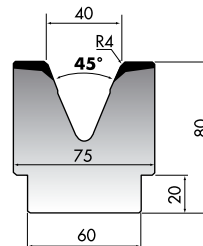
max t/m  
**M110-60-80** 100

**M80-45-32** C45  
45°  
835



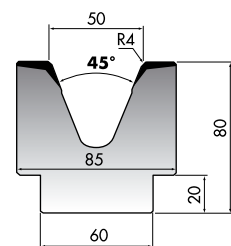
max t/m  
**M80-45-32** 100

**M80-45-40** C45  
45°  
835



max t/m  
**M80-45-40** 100

**M80-45-50** C45  
45°  
835



max t/m  
**M80-45-50** 95

## T80-06-90 ÷ T80-12-90 C45

90°

835

900



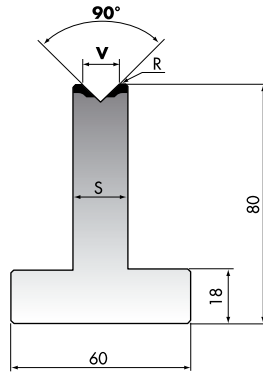
V mm R mm S mm max t/m

|           |   |     |    |     |
|-----------|---|-----|----|-----|
| T80-06-90 | 6 | 0,4 | 14 | 100 |
| T80-08-90 | 8 | 0,5 | 14 | 100 |

835

V mm R mm S mm max t/m

|           |    |     |    |     |
|-----------|----|-----|----|-----|
| T80-10-90 | 10 | 0,6 | 18 | 100 |
| T80-12-90 | 12 | 0,8 | 18 | 100 |



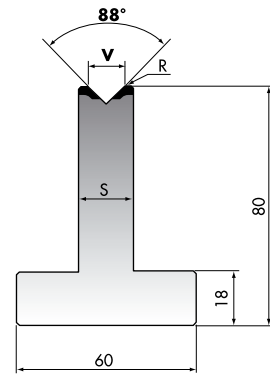
## T80-06-88 ÷ TR80-10-88 C45

88°

835

V mm R mm S mm max t/m

|            |    |      |    |     |
|------------|----|------|----|-----|
| T80-06-88  | 6  | 0,4  | 14 | 100 |
| T80-08-88  | 8  | 0,5  | 14 | 100 |
| T80-10-88  | 10 | 0,8  | 18 | 100 |
| T80-12-88  | 12 | 2,75 | 18 | 100 |
| T80-16-88  | 16 | 2,75 | 24 | 100 |
| T80-20-88  | 20 | 3    | 30 | 100 |
| T80-25-88  | 25 | 3    | 35 | 100 |
| TR80-06-88 | 6  | 2,75 | 14 | 100 |
| TR80-08-88 | 8  | 2,75 | 14 | 100 |
| TR80-10-88 | 10 | 2,75 | 18 | 100 |



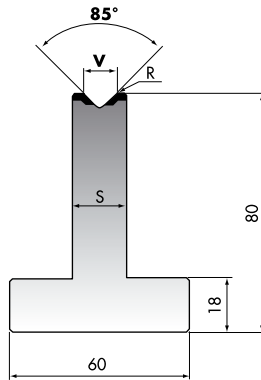
## T80-06-85 ÷ T80-25-85 C45

85°

835

V mm R mm S mm max t/m

|           |    |      |    |     |
|-----------|----|------|----|-----|
| T80-06-85 | 6  | 2,75 | 14 | 100 |
| T80-08-85 | 8  | 2,75 | 14 | 100 |
| T80-10-85 | 10 | 2,75 | 18 | 100 |
| T80-12-85 | 12 | 2,75 | 18 | 100 |
| T80-16-85 | 16 | 2,75 | 24 | 100 |
| T80-20-85 | 20 | 3    | 30 | 100 |
| T80-25-85 | 25 | 3    | 35 | 100 |



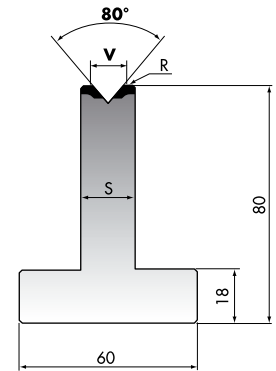
## T80-06-80 ÷ T80-25-80 C45

80°

835

V mm R mm S mm max t/m

|           |    |      |    |    |
|-----------|----|------|----|----|
| T80-06-80 | 6  | 2,75 | 14 | 95 |
| T80-08-80 | 8  | 2,75 | 14 | 95 |
| T80-10-80 | 10 | 2,75 | 18 | 95 |
| T80-12-80 | 12 | 2,75 | 18 | 95 |
| T80-16-80 | 16 | 2,75 | 24 | 95 |
| T80-20-80 | 20 | 3    | 30 | 95 |
| T80-25-80 | 25 | 3    | 35 | 95 |



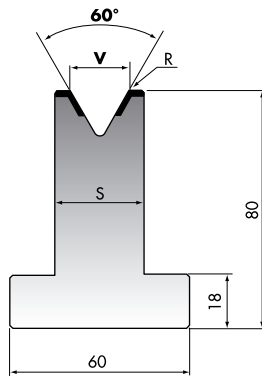
## T80-06-60 ÷ TR80-12-60 C45

60°

835

V mm R mm S mm max t/m

|            |    |      |    |    |
|------------|----|------|----|----|
| T80-06-60  | 6  | 0,5  | 14 | 60 |
| T80-08-60  | 8  | 0,8  | 14 | 60 |
| T80-10-60  | 10 | 0,8  | 18 | 60 |
| T80-12-60  | 12 | 0,8  | 18 | 60 |
| T80-16-60  | 16 | 2,75 | 24 | 60 |
| T80-20-60  | 20 | 3    | 30 | 60 |
| T80-25-60  | 25 | 3    | 35 | 60 |
| TR80-06-60 | 6  | 1,5  | 14 | 60 |
| TR80-08-60 | 8  | 1,5  | 14 | 60 |
| TR80-10-60 | 10 | 2,75 | 18 | 60 |
| TR80-12-60 | 12 | 2,75 | 18 | 60 |



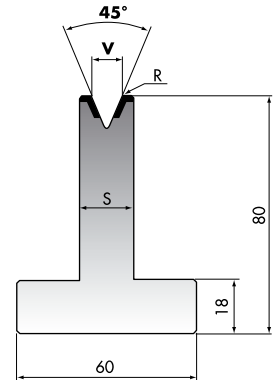
## T80-06-45 ÷ T80-25-45 C45

45°

835

V mm R mm S mm max t/m

|           |    |      |    |    |
|-----------|----|------|----|----|
| T80-06-45 | 6  | 0,8  | 14 | 50 |
| T80-08-45 | 8  | 1    | 18 | 50 |
| T80-10-45 | 10 | 1,2  | 18 | 50 |
| T80-12-45 | 12 | 1,6  | 24 | 50 |
| T80-16-45 | 16 | 2,75 | 26 | 50 |
| T80-20-45 | 20 | 3    | 30 | 50 |
| T80-25-45 | 25 | 3    | 37 | 50 |



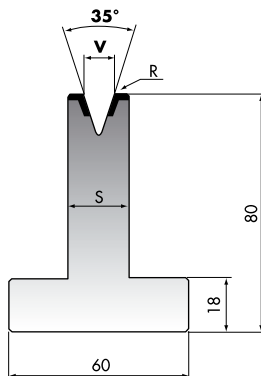
## T80-06-35 ÷ T80-25-35 C45

35°

835

V mm R mm S mm max t/m

|           |    |     |    |    |
|-----------|----|-----|----|----|
| T80-06-35 | 6  | 0,8 | 14 | 35 |
| T80-08-35 | 8  | 1   | 16 | 35 |
| T80-10-35 | 10 | 1,2 | 20 | 40 |
| T80-12-35 | 12 | 1,6 | 22 | 40 |
| T80-16-35 | 16 | 3   | 30 | 45 |
| T80-20-35 | 20 | 3   | 35 | 50 |
| T80-25-35 | 25 | 3   | 40 | 50 |



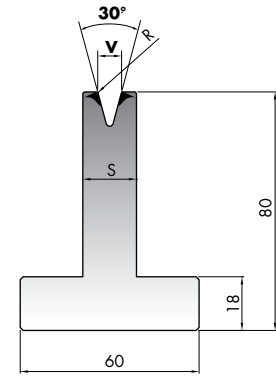
## T80-06-30 ÷ T80-25-30 C45

30°

835

V mm R mm S mm max t/m

|           |    |     |    |    |
|-----------|----|-----|----|----|
| T80-06-30 | 6  | 0,6 | 14 | 35 |
| T80-08-30 | 8  | 0,8 | 18 | 35 |
| T80-10-30 | 10 | 1   | 24 | 50 |
| T80-12-30 | 12 | 1,5 | 24 | 40 |
| T80-16-30 | 16 | 2   | 30 | 45 |
| T80-20-30 | 20 | 2,5 | 35 | 50 |
| T80-25-30 | 25 | 3   | 40 | 50 |

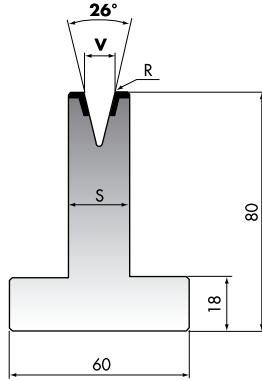


## T80-06-26 ÷ T80-12-26 C45

26°

835

|           | V mm | R mm | S mm | max t/m |
|-----------|------|------|------|---------|
| T80-06-26 | 6    | 0,8  | 16   | 20      |
| T80-08-26 | 8    | 1    | 20   | 20      |
| T80-10-26 | 10   | 1,2  | 24   | 20      |
| T80-12-26 | 12   | 1,6  | 26   | 20      |

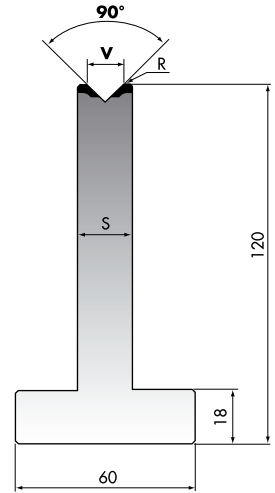


## T120-06-90 ÷ T120-12-90 C45

90°

835

|            | V mm | R mm | S mm | max t/m |
|------------|------|------|------|---------|
| T120-06-90 | 6    | 0,4  | 14   | 100     |
| T120-08-90 | 8    | 0,5  | 14   | 100     |
| T120-10-90 | 10   | 0,6  | 18   | 100     |
| T120-12-90 | 12   | 0,8  | 18   | 100     |

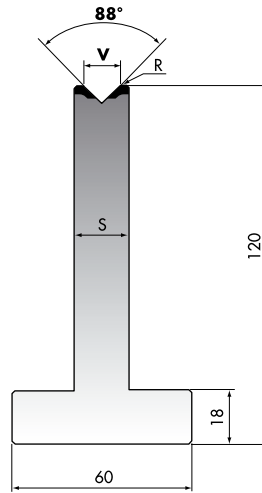


## T120-06-88 ÷ TR120-10-88 C45

88°

835

|             | V mm | R mm | S mm | max t/m |
|-------------|------|------|------|---------|
| T120-06-88  | 6    | 0,4  | 14   | 100     |
| T120-08-88  | 8    | 0,5  | 14   | 100     |
| T120-10-88  | 10   | 0,8  | 18   | 100     |
| T120-12-88  | 12   | 2,75 | 18   | 100     |
| T120-16-88  | 16   | 2,75 | 24   | 100     |
| T120-20-88  | 20   | 3    | 30   | 100     |
| T120-25-88  | 25   | 3    | 35   | 100     |
| TR120-06-88 | 6    | 2,75 | 14   | 100     |
| TR120-08-88 | 8    | 2,75 | 14   | 100     |
| TR120-10-88 | 10   | 2,75 | 18   | 100     |

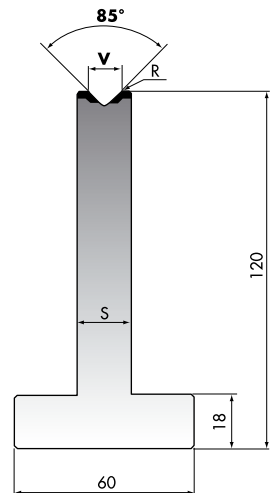


## T120-06-85 ÷ T120-25-85 C45

85°

835

|            | V mm | R mm | S mm | max t/m |
|------------|------|------|------|---------|
| T120-06-85 | 6    | 2,75 | 14   | 100     |
| T120-08-85 | 8    | 2,75 | 14   | 100     |
| T120-10-85 | 10   | 2,75 | 18   | 100     |
| T120-12-85 | 12   | 2,75 | 18   | 100     |
| T120-16-85 | 16   | 2,75 | 24   | 100     |
| T120-20-85 | 20   | 3    | 30   | 100     |
| T120-25-85 | 25   | 3    | 35   | 100     |

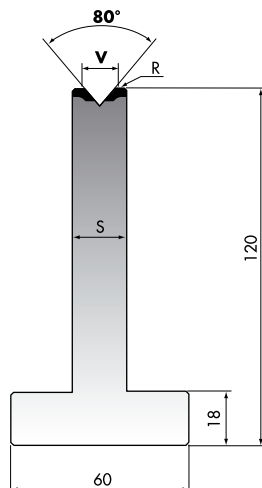


## T120-06-80 ÷ T120-25-80 C45

80°

835

|            | V mm | R mm | S mm | max t/m |
|------------|------|------|------|---------|
| T120-06-80 | 6    | 2,75 | 14   | 95      |
| T120-08-80 | 8    | 2,75 | 14   | 95      |
| T120-10-80 | 10   | 2,75 | 18   | 95      |
| T120-12-80 | 12   | 2,75 | 18   | 95      |
| T120-16-80 | 16   | 2,75 | 24   | 95      |
| T120-20-80 | 20   | 3    | 30   | 95      |
| T120-25-80 | 25   | 3    | 35   | 95      |

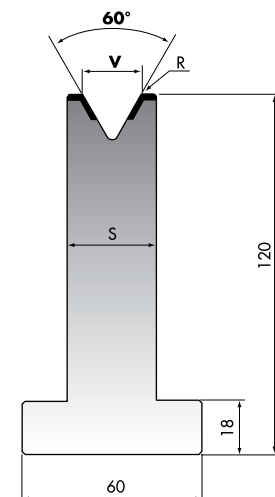


## T120-06-60 ÷ TR120-12-60 C45

60°

835

|             | V mm | R mm | S mm | max t/m |
|-------------|------|------|------|---------|
| T120-06-60  | 6    | 0,5  | 14   | 60      |
| T120-08-60  | 8    | 0,8  | 14   | 60      |
| T120-10-60  | 10   | 0,8  | 18   | 60      |
| T120-12-60  | 12   | 0,8  | 18   | 60      |
| T120-16-60  | 16   | 2,75 | 24   | 60      |
| T120-20-60  | 20   | 3    | 30   | 60      |
| T120-25-60  | 25   | 3    | 35   | 60      |
| TR120-06-60 | 6    | 1,5  | 14   | 60      |
| TR120-08-60 | 8    | 1,5  | 14   | 60      |
| TR120-10-60 | 10   | 2,75 | 18   | 60      |
| TR120-12-60 | 12   | 2,75 | 18   | 60      |

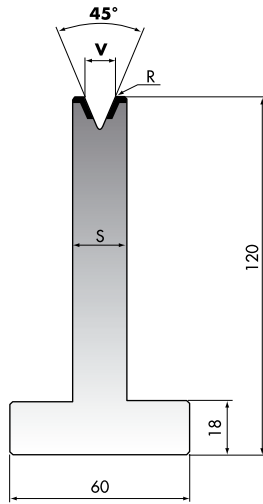


## T120-06-45 ÷ T120-25-45 C45

45°

835

|            | V mm | R mm | S mm | max t/m |
|------------|------|------|------|---------|
| T120-06-45 | 6    | 0,8  | 14   | 50      |
| T120-08-45 | 8    | 1    | 18   | 50      |
| T120-10-45 | 10   | 1,2  | 18   | 50      |
| T120-12-45 | 12   | 1,6  | 24   | 50      |
| T120-16-45 | 16   | 2,75 | 26   | 50      |
| T120-20-45 | 20   | 3    | 30   | 50      |
| T120-25-45 | 25   | 3    | 37   | 50      |

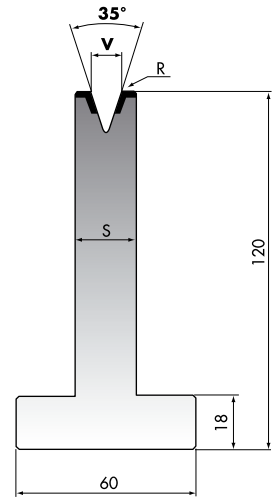


## T120-06-35 ÷ T120-25-35 C45

35°

835

|            | V mm | R mm | S mm | max t/m |
|------------|------|------|------|---------|
| T120-06-35 | 6    | 0,8  | 14   | 35      |
| T120-08-35 | 8    | 1    | 16   | 35      |
| T120-10-35 | 10   | 1,2  | 20   | 40      |
| T120-12-35 | 12   | 1,6  | 22   | 40      |
| T120-16-35 | 16   | 3    | 30   | 45      |
| T120-20-35 | 20   | 3    | 35   | 50      |
| T120-25-35 | 25   | 3    | 40   | 50      |

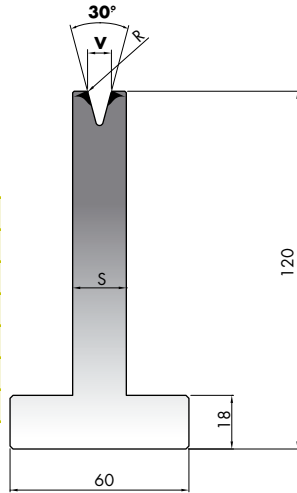


## T120-06-30 ÷ T120-25-30 C45

30°

835

|            | V mm | R mm | S mm | max t/m |
|------------|------|------|------|---------|
| T120-06-30 | 6    | 0,6  | 14   | 35      |
| T120-08-30 | 8    | 0,8  | 18   | 35      |
| T120-10-30 | 10   | 1    | 24   | 50      |
| T120-12-30 | 12   | 1,5  | 24   | 40      |
| T120-16-30 | 16   | 2    | 30   | 45      |
| T120-20-30 | 20   | 2,5  | 35   | 50      |
| T120-25-30 | 25   | 3    | 40   | 50      |

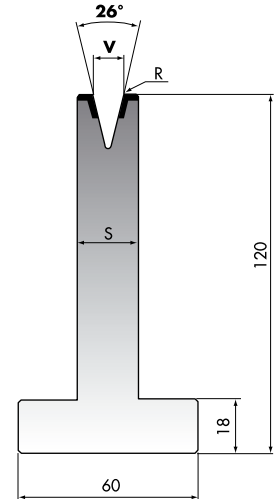


## T120-06-26 ÷ T120-12-26 C45

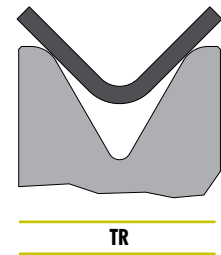
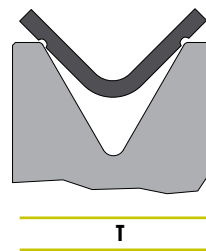
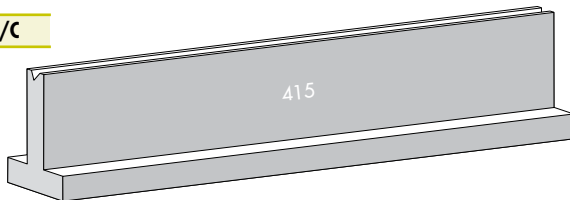
26°

835

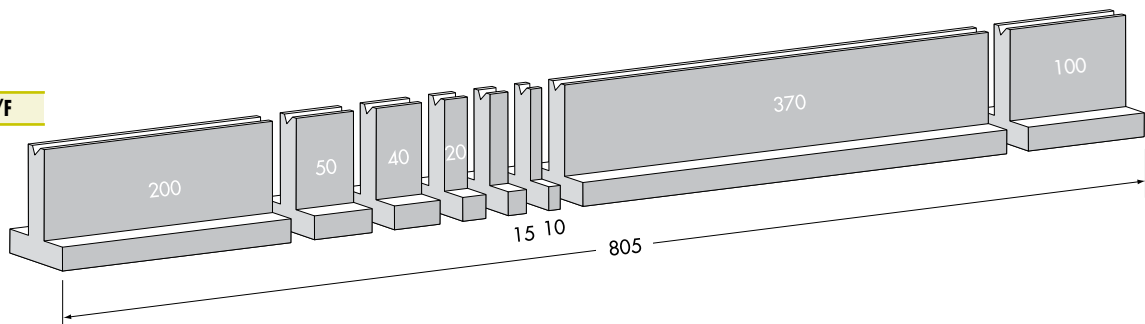
|            | V mm | R mm | S mm | max t/m |
|------------|------|------|------|---------|
| T120-06-26 | 6    | 0,8  | 16   | 20      |
| T120-08-26 | 8    | 1    | 20   | 20      |
| T120-10-26 | 10   | 1,2  | 24   | 20      |
| T120-12-26 | 12   | 1,6  | 26   | 20      |



...../C



...../F

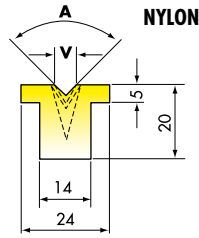


**TN80-14 INS14-06-88 ÷ INS14-08-30 C45**

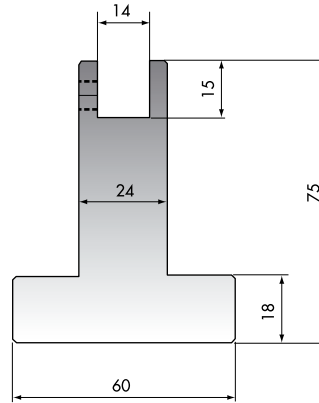


835

|             | A° | V mm |
|-------------|----|------|
| INS14-06-88 | 88 | 6    |
| INS14-08-88 | 88 | 8    |
| INS14-10-88 | 88 | 10   |
| INS14-06-60 | 60 | 6    |
| INS14-08-60 | 60 | 8    |
| INS14-10-60 | 60 | 10   |
| INS14-06-45 | 45 | 6    |
| INS14-08-45 | 45 | 8    |
| INS14-10-45 | 45 | 10   |
| INS14-06-30 | 30 | 6    |
| INS14-08-30 | 30 | 8    |



INS14



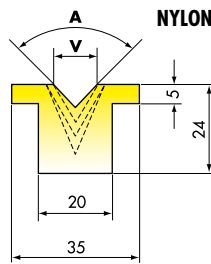
TN80-14

**TN80-20 INS20-06-88 ÷ INS20-10-30 C45**

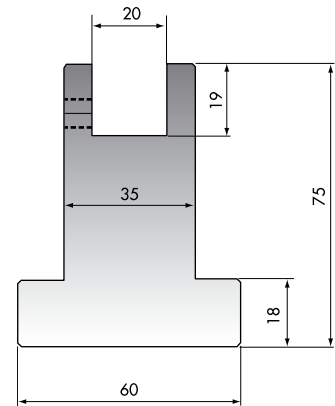


835

|             | A° | V mm |             | A° | V mm |
|-------------|----|------|-------------|----|------|
| INS20-06-88 | 88 | 6    | INS20-06-45 | 45 | 6    |
| INS20-08-88 | 88 | 8    | INS20-08-45 | 45 | 8    |
| INS20-10-88 | 88 | 10   | INS20-10-45 | 45 | 10   |
| INS20-12-88 | 88 | 12   | INS20-12-45 | 45 | 12   |
| INS20-16-88 | 88 | 16   | INS20-06-30 | 30 | 6    |
| INS20-06-60 | 60 | 6    | INS20-08-30 | 30 | 8    |
| INS20-08-60 | 60 | 8    | INS20-10-30 | 30 | 10   |
| INS20-10-60 | 60 | 10   |             |    |      |
| INS20-12-60 | 60 | 12   |             |    |      |
| INS20-16-60 | 60 | 16   |             |    |      |



INS20



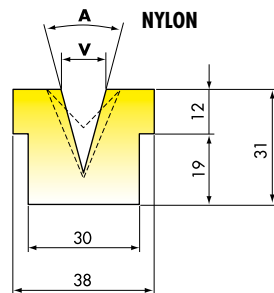
TN80-20

**TN80-30 INS30-06-88 ÷ INS30-08-30 C45**

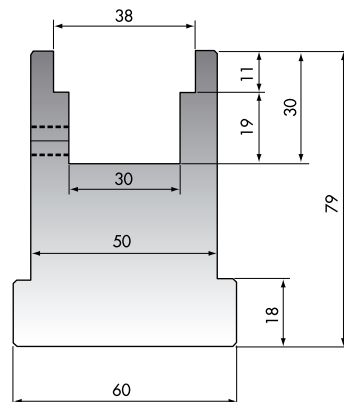


835

|             | A° | V mm |
|-------------|----|------|
| INS30-06-88 | 88 | 6    |
| INS30-08-88 | 88 | 8    |
| INS30-10-88 | 88 | 10   |
| INS30-06-60 | 60 | 6    |
| INS30-08-60 | 60 | 8    |
| INS30-10-60 | 60 | 10   |
| INS30-06-45 | 45 | 6    |
| INS30-08-45 | 45 | 8    |
| INS30-10-45 | 45 | 10   |
| INS30-06-30 | 30 | 6    |
| INS30-08-30 | 30 | 8    |



INS30



TN80-30

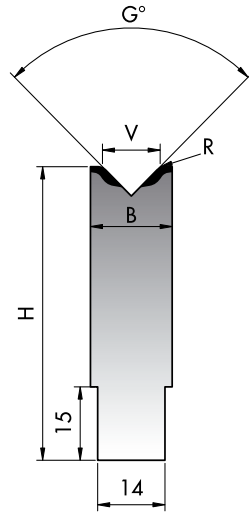


AMR60-04-88 ÷ AMR65-25-30

**C45**

88° 30°

835



AMR60

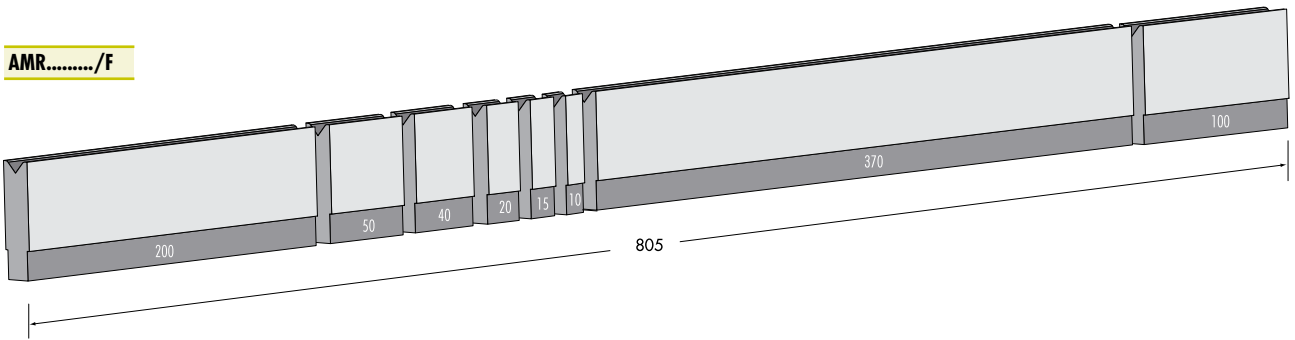
|             | V mm | G° | H mm | R mm | B mm | max t/m |
|-------------|------|----|------|------|------|---------|
| AMR60-04-88 | 4    | 88 | 60   | 0,6  | 14   | 100     |
| AMR60-06-88 | 6    | 88 | 60   | 0,8  | 14   | 100     |
| AMR60-08-88 | 8    | 88 | 60   | 1,0  | 14   | 100     |
| AMR60-10-88 | 10   | 88 | 60   | 1,2  | 18   | 100     |
| AMR60-12-88 | 12   | 88 | 60   | 1,5  | 18   | 100     |
| AMR60-16-88 | 16   | 88 | 60   | 2,0  | 24   | 100     |
| AMR60-20-88 | 20   | 88 | 60   | 2,0  | 30   | 100     |
| AMR60-25-88 | 25   | 88 | 60   | 3,0  | 35   | 100     |

|             |    |    |    |     |    |    |
|-------------|----|----|----|-----|----|----|
| AMR60-06-30 | 6  | 30 | 60 | 0,6 | 14 | 35 |
| AMR60-08-30 | 8  | 30 | 60 | 0,8 | 18 | 35 |
| AMR60-10-30 | 10 | 30 | 60 | 1,0 | 24 | 50 |
| AMR60-12-30 | 12 | 30 | 60 | 1,5 | 24 | 40 |
| AMR60-16-30 | 16 | 30 | 60 | 2,0 | 30 | 45 |
| AMR60-20-30 | 20 | 30 | 60 | 2,5 | 35 | 50 |
| AMR65-25-30 | 25 | 30 | 65 | 3,0 | 45 | 50 |

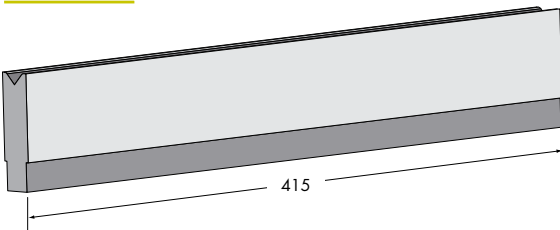
PROMECAM-AMADA TYPE

AMR

AMR...../F



AMR...../C

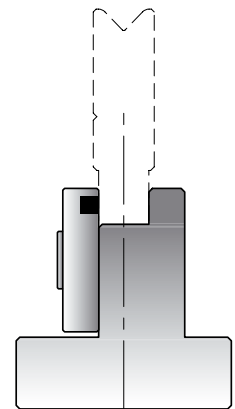
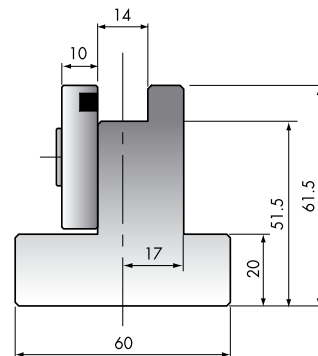


SU61F SU61F/C

**C45**

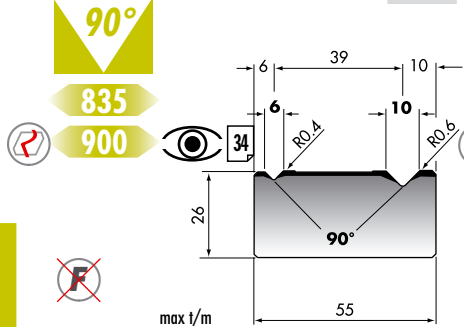
835

415



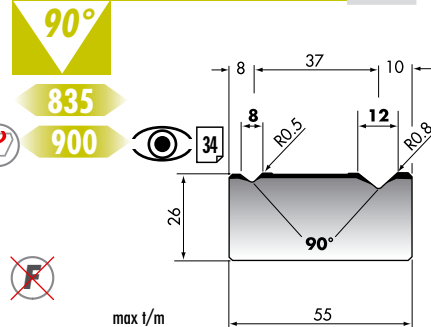
|         | max t/m |
|---------|---------|
| SU61F   | 100     |
| SU61F/C | 100     |

**M26-90-01** C45



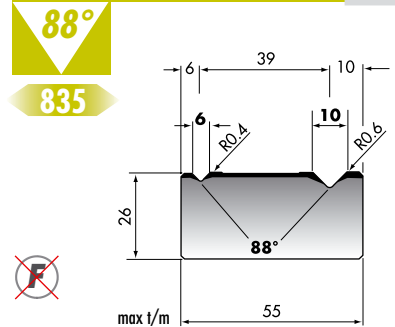
M26-90-01 100

**M26-90-02** C45



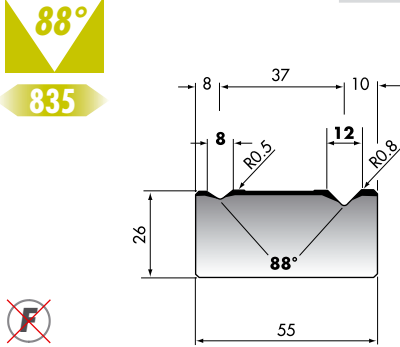
M26-90-02 100

**M26-88-01** C45



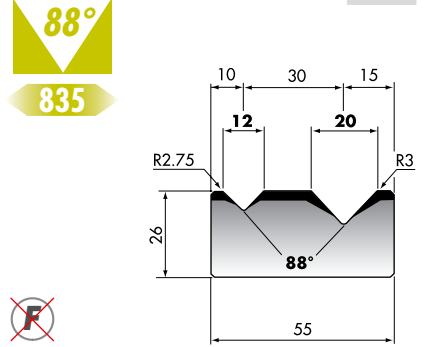
M26-88-01 100

**M26-88-02** C45



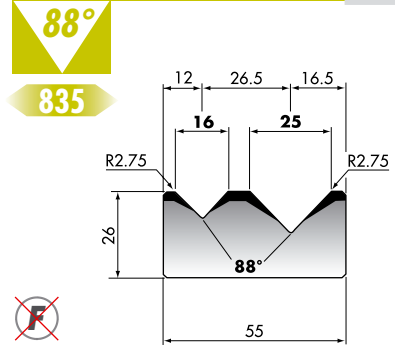
M26-88-02 100

**M26-88-03** C45



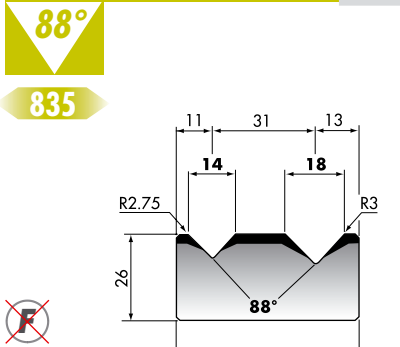
M26-88-03 100

**M26-88-04** C45



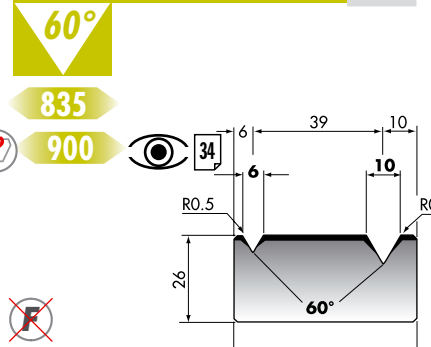
M26-88-04 100

**M26-88-05** C45



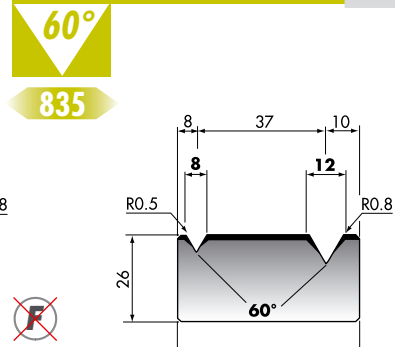
M26-88-05 100

**M26-60-01** C45



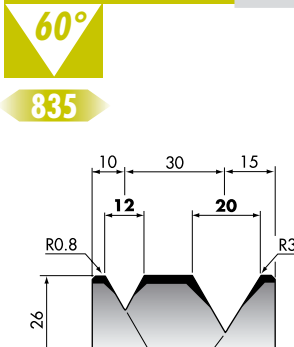
M26-60-01 60

**M26-60-02** C45



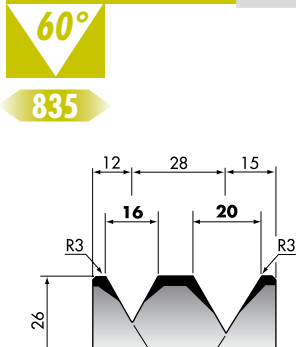
M26-60-02 80

**M26-60-03** C45



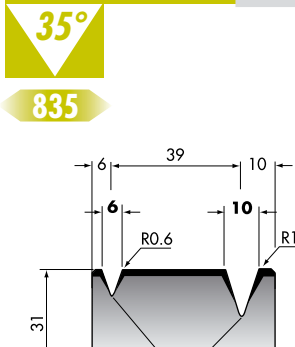
M26-60-03 80

**M26-60-05** C45



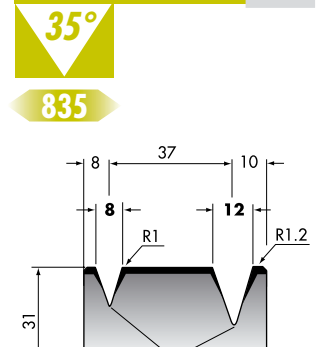
M26-60-05 80

**M31-35-01** C45



M31-35-01 30

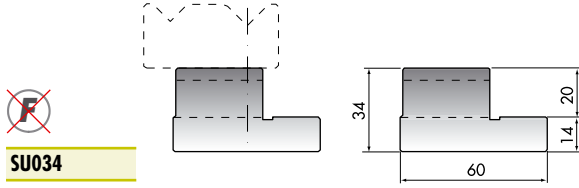
**M31-35-02** C45



M31-35-02 30

## SU034 C45

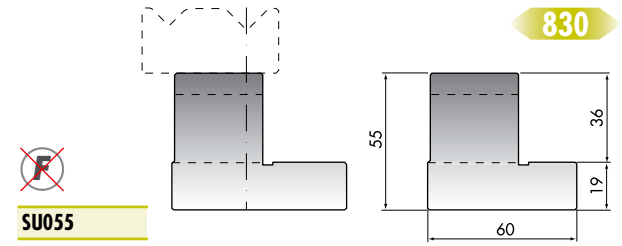
830



SU034

## SU055 C45

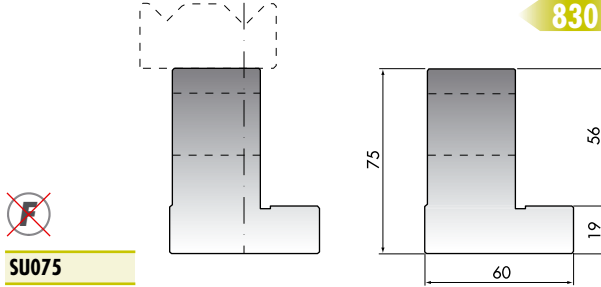
830



SU055

## SU075 C45

830

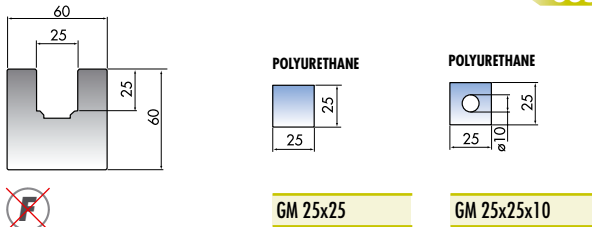


SU075



## MPG25 C45

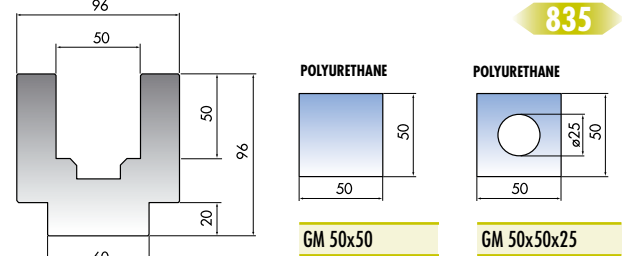
835



MPG25

## MPG50 C45

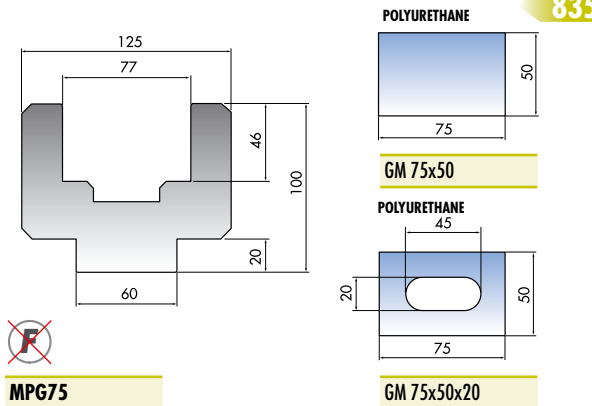
835



MPG50

## MPG75 C45

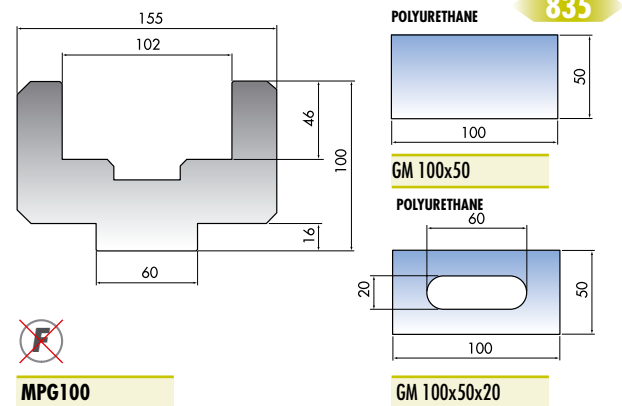
835



MPG75

## MPG100 C45

835

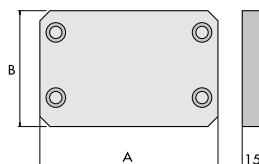
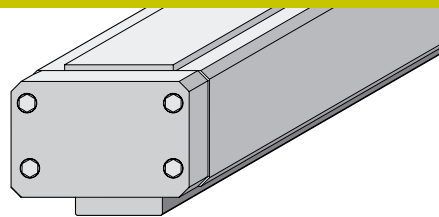


MPG100

## PSTCON



|               | A   | B  |
|---------------|-----|----|
| PSTCON25 (2)  | 58  | 58 |
| PSTCON50 (2)  | 108 | 75 |
| PSTCON75 (2)  | 123 | 80 |
| PSTCON100 (2) | 153 | 80 |

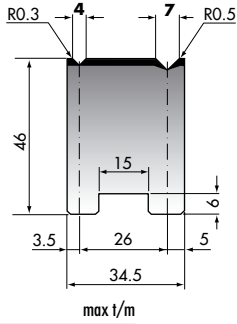


# PROMECAM-AMADA TYPE

HRc 54-60 (1980->2200 N/mm<sup>2</sup>)

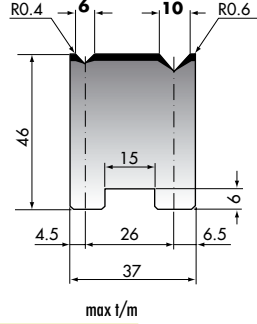
PROMECAM-AMADA TYPE

**46-10** C45  
90°  
835



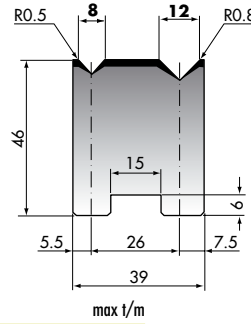
max t/m  
**46-10** 80

**46-11** C45  
90°  
835



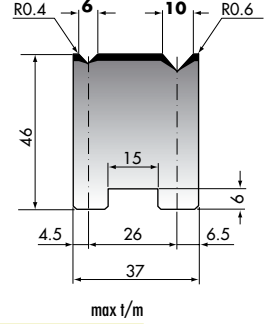
max t/m  
**46-11** 80

**46-12** C45  
90°  
835



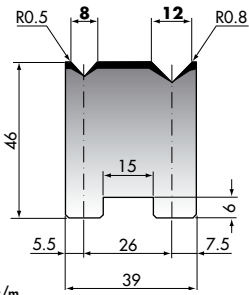
max t/m  
**46-12** 80

**46-11-88** C45  
88°  
835 **NEW**



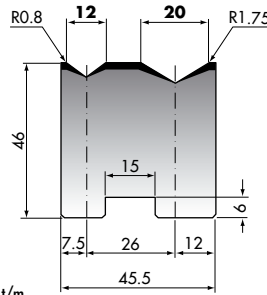
max t/m  
**46-11-88** 80

**46-13** C45  
88°  
835



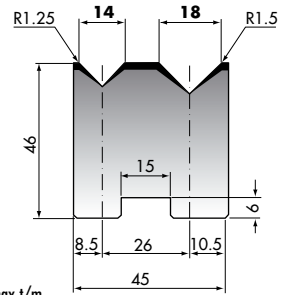
max t/m  
**46-13** 80

**46-14** C45  
88°  
835



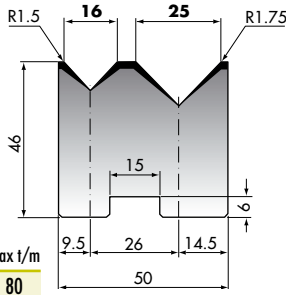
max t/m  
**46-14** 80

**46-15** C45  
88°  
835



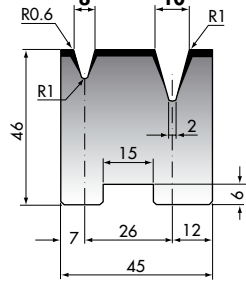
max t/m  
**46-15** 80

**46-16** C45  
88°  
835



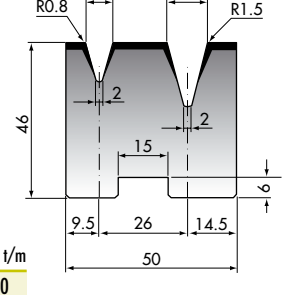
max t/m  
**46-16** 80

**46-17** C45  
30°  
835



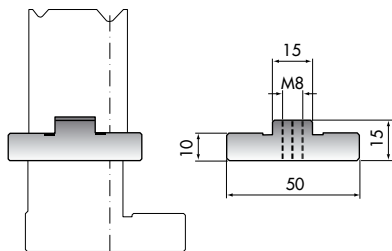
max t/m  
**46-17** 40

**46-18** C45  
30°  
835



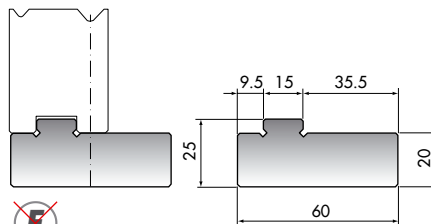
max t/m  
**46-18** 40

**PM50** C45  
835



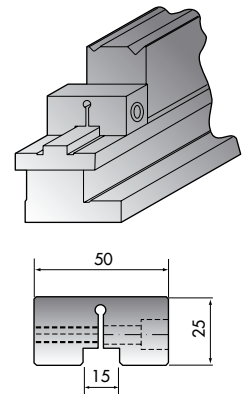
**PM50**

**PM60** C45  
835



**PM60**

**PB60** C45  
835



**PB60 (2)**

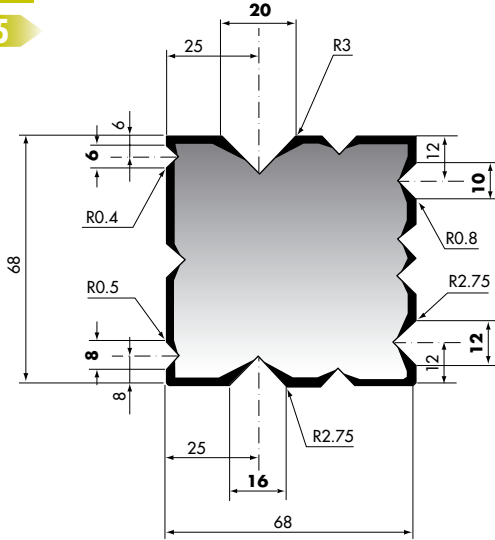
# PROMECAM-AMADA TYPE

H Rc 54-60 (1980->2200 N/mm<sup>2</sup>)

**T70-88** **42Cr**

**88°**

**525**

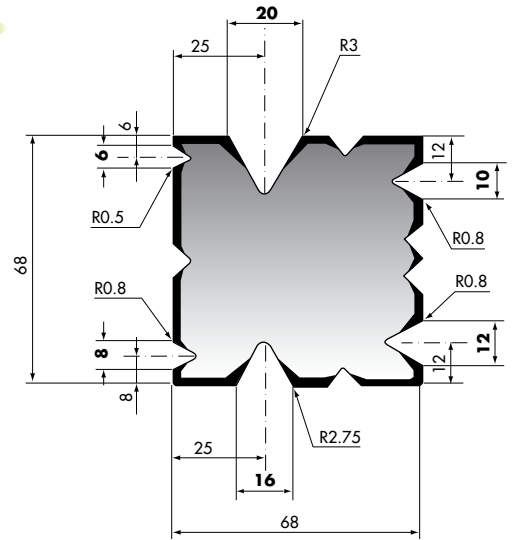


| T70-88 | max t/m |
|--------|---------|
|        | 100     |

**T70-60** **42Cr**

**60°**

**525**

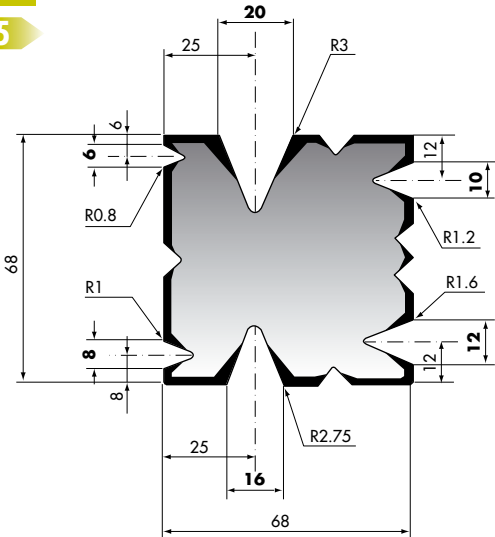


| V mm | max t/m |
|------|---------|
| 6    | 60      |
| 8    | 60      |
| 10   | 60      |
| 12   | 60      |
| 16   | 80      |
| 20   | 80      |

**T70-45** **42Cr**

**45°**

**525**

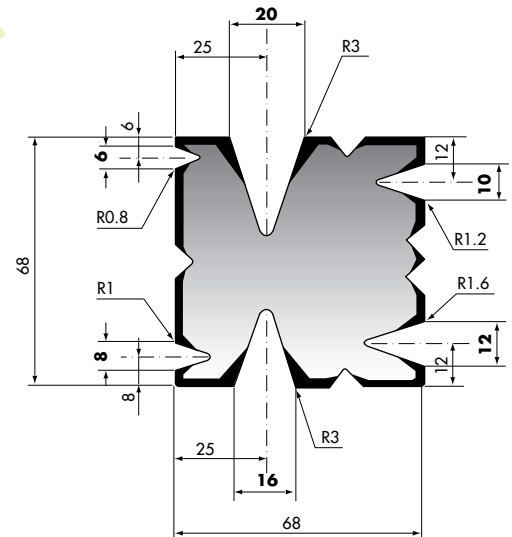


| T70-45 | V mm | max t/m |
|--------|------|---------|
|        | 6    | 40      |
|        | 8    | 40      |
|        | 10   | 50      |
|        | 12   | 50      |
|        | 16   | 70      |
|        | 20   | 70      |

**T70-35** **42Cr**

**35°**

**525**

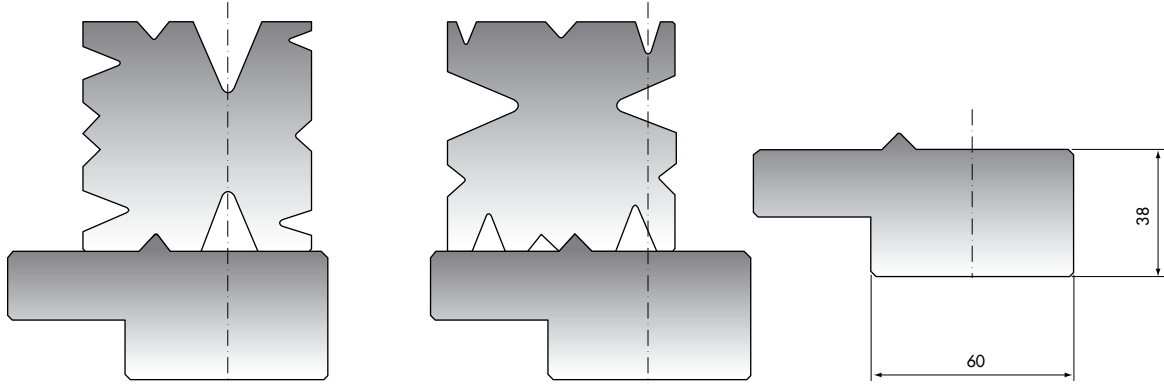


| T70-35 | V mm | max t/m |
|--------|------|---------|
|        | 6    | 30      |
|        | 8    | 35      |
|        | 10   | 45      |
|        | 12   | 45      |
|        | 16   | 50      |
|        | 20   | 50      |

PROMECAM-AMADA TYPE

## SU-T70

525

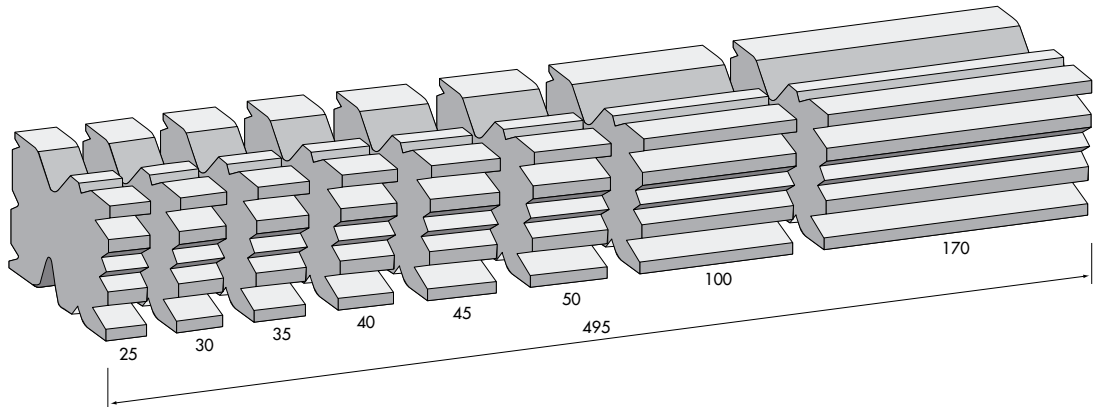


 SU-T70

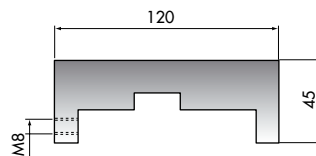
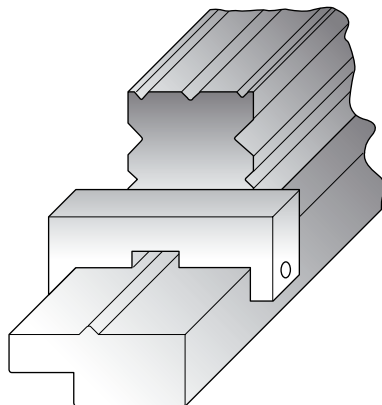
PROMECAM-AMADA TYPE



- T70-88/F
- T70-60/F
- T70-45/F
- T70-35/F



## PB-T70

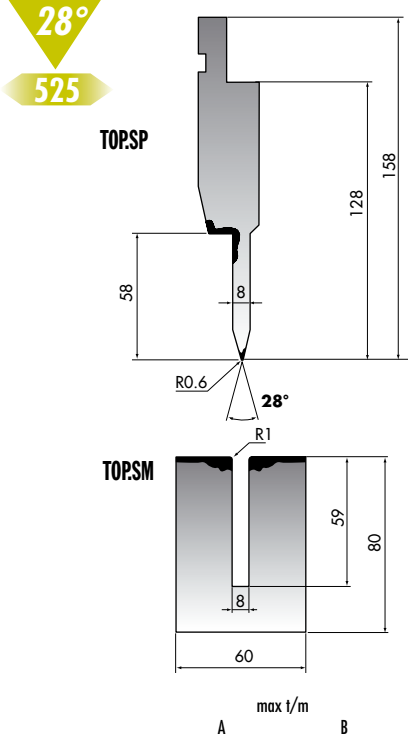


 PB-T70 (2)

# PROMECAM-AMADA TYPE

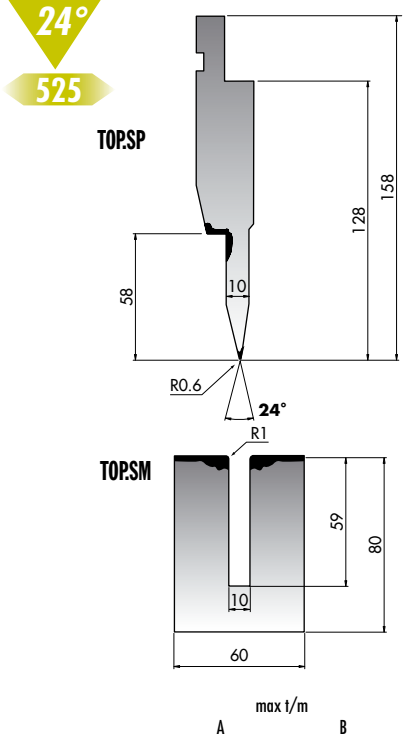
✓ HRC 54-60 (1980->2200 N/mm<sup>2</sup>)

## TOP.S (TOP.SP+TOP.SM) 42Cr



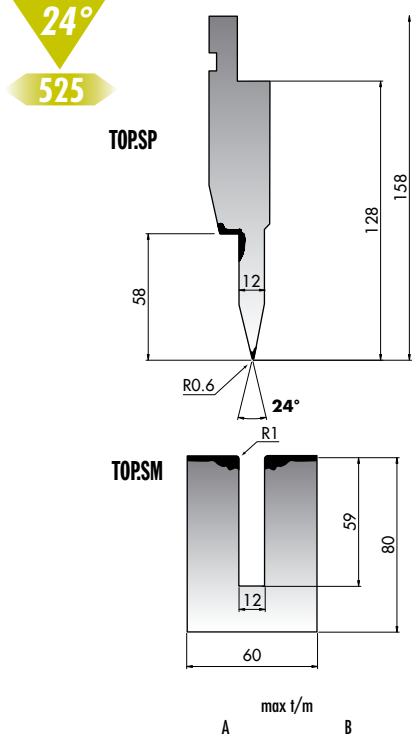
| TOP.S-134.28.8  |    |     |
|-----------------|----|-----|
| TOP.SP-134.28.8 | 80 | 100 |
| TOP.SM-134.28.8 | 50 | 100 |

## TOP.S (TOP.SP+TOP.SM) 42Cr

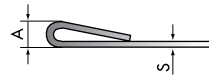
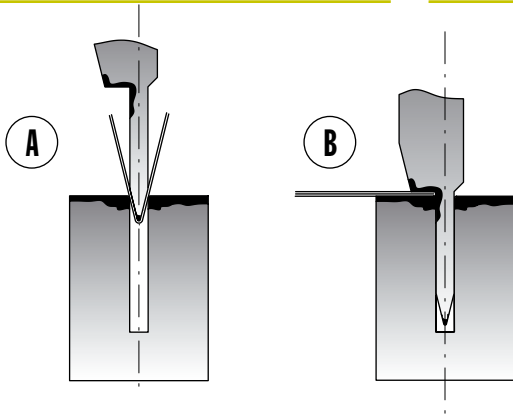


| TOP.S-134.24.10  |    |     |
|------------------|----|-----|
| TOP.SP-134.24.10 | 80 | 100 |
| TOP.SM-134.24.10 | 50 | 100 |

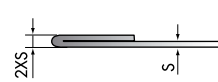
## TOP.S (TOP.SP+TOP.SM) 42Cr



| TOP.S-134.24.12  |    |     |
|------------------|----|-----|
| TOP.SP-134.24.12 | 80 | 100 |
| TOP.SM-134.24.12 | 50 | 100 |



| S mm | A mm | R.45 Kgf/mm <sup>2</sup> t/m | R.70 Kgf/mm <sup>2</sup> t/m |
|------|------|------------------------------|------------------------------|
| 0,6  | 3,0  | 9                            | 15                           |
| 0,8  | 3,0  | 12                           | 20                           |
| 1,0  | 3,5  | 15                           | 25                           |
| 1,25 | 3,5  | 17                           | 26                           |
| 1,5  | 4,6  | 22                           | 38                           |
| 2,0  | 5,5  | 30                           | 50                           |

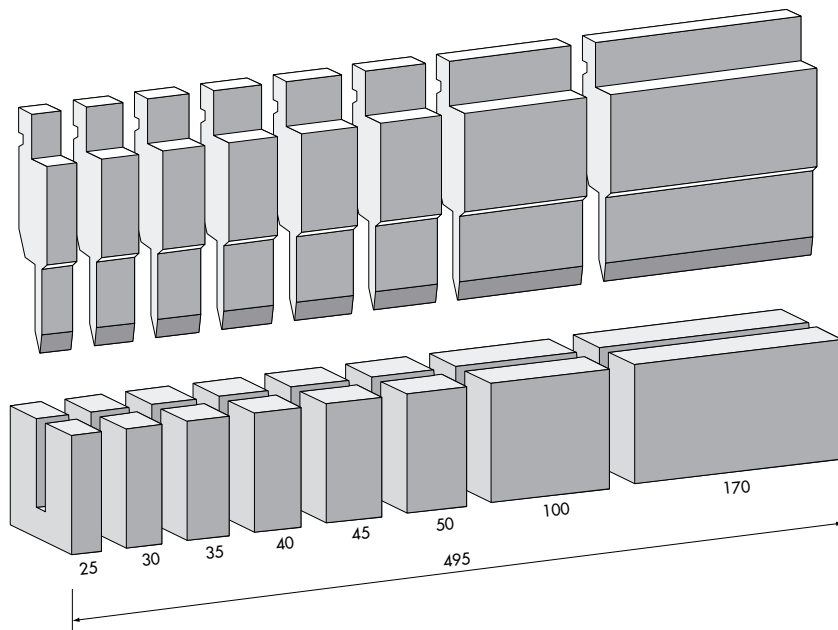


| S mm | A mm | R.45 Kgf/mm <sup>2</sup> t/m | R.70 Kgf/mm <sup>2</sup> t/m |
|------|------|------------------------------|------------------------------|
| 0,6  | 1,2  | 23                           | 35                           |
| 0,8  | 1,6  | 32                           | 50                           |
| 1,0  | 2,0  | 40                           | 60                           |
| 1,25 | 2,5  | 50                           | 80                           |
| 1,5  | 3,0  | 63                           | 95                           |
| 2,0  | 4,0  | 80                           | 130                          |

- TOP.S-134.28.8/F
- TOP.SP-134.28.8/F
- TOP.SM-134.28.8/F

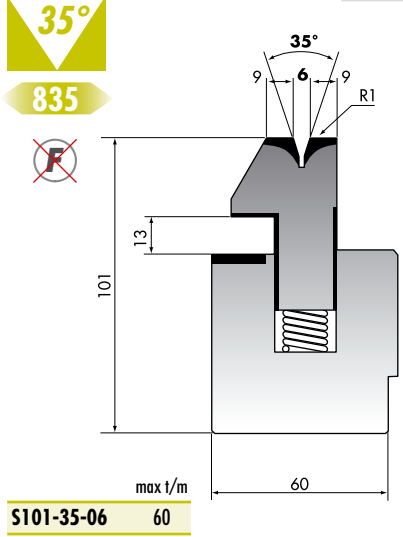
- TOP.S-134.24.10/F
- TOP.SP-134.24.10/F
- TOP.SM-134.24.10/F

- TOP.S-134.24.12/F
- TOP.SP-134.24.12/F
- TOP.SM-134.24.12/F

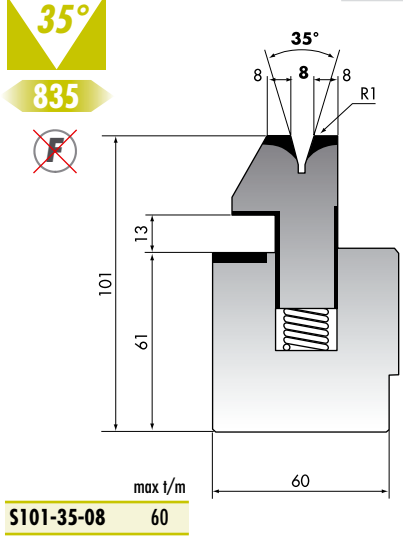


PROMECAM-AMADA TYPE

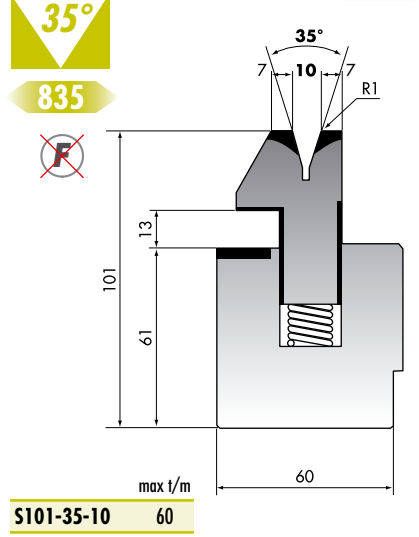
**S101-35-06 C45**



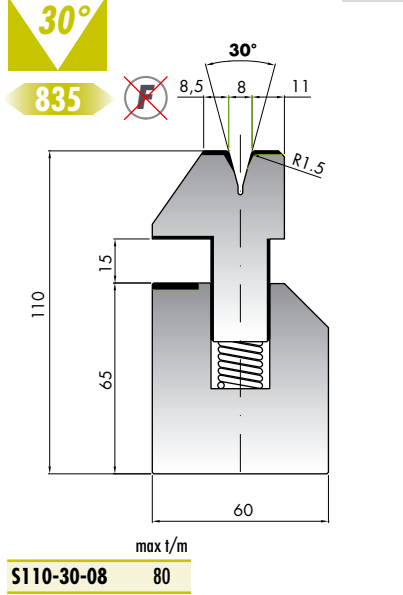
**S101-35-08 C45**



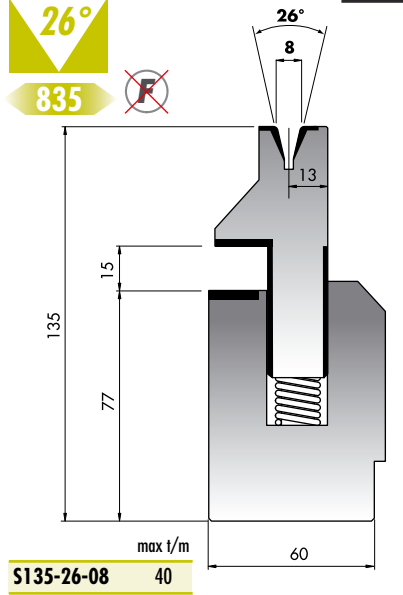
**S101-35-10 C45**



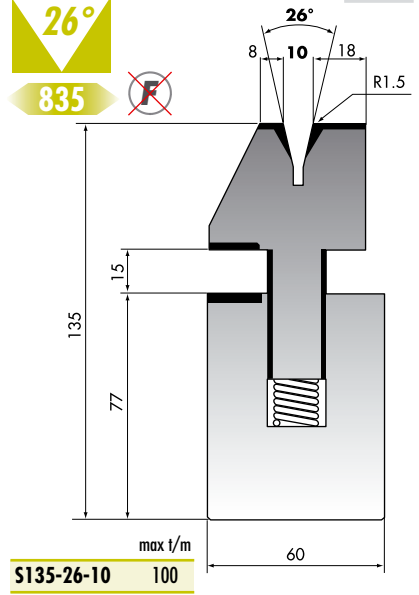
**S110-30-08 C45**



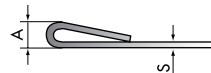
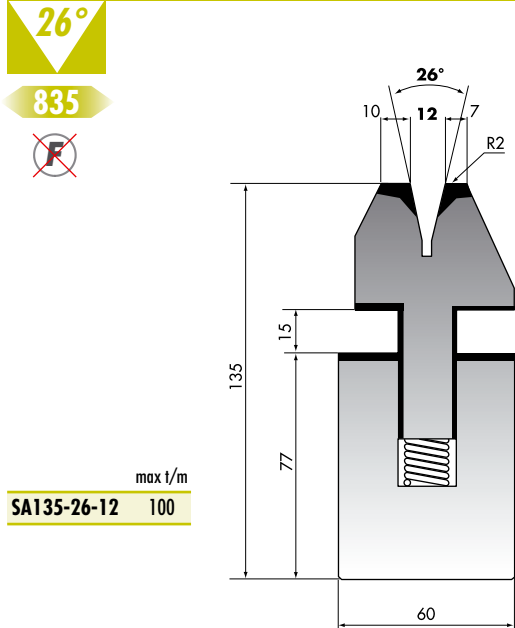
**S135-26-08 42Cr**



**S135-26-10 C45**



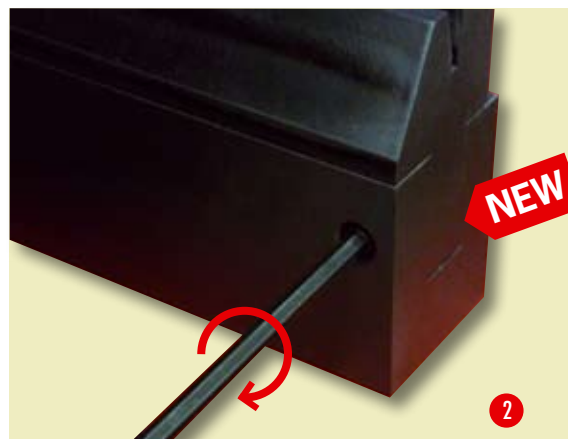
**SA135-26-12 C45**



| S mm | A mm | R.45 Kgf/mm <sup>2</sup> t/m | R.70 Kgf/mm <sup>2</sup> t/m |
|------|------|------------------------------|------------------------------|
| 0,6  | 3,0  | 9                            | 15                           |
| 0,8  | 3,0  | 12                           | 20                           |
| 1,0  | 3,5  | 15                           | 25                           |
| 1,25 | 3,5  | 17                           | 26                           |
| 1,5  | 4,6  | 22                           | 38                           |
| 2,0  | 5,5  | 30                           | 50                           |
| 2,5  | 6,5  | 55                           | —                            |
| 3,0  | 8,0  | 70                           | —                            |

| S mm | A mm | R.45 Kgf/mm <sup>2</sup> t/m | R.70 Kgf/mm <sup>2</sup> t/m |
|------|------|------------------------------|------------------------------|
| 0,6  | 1,2  | 23                           | 35                           |
| 0,8  | 1,6  | 32                           | 50                           |
| 1,0  | 2,0  | 40                           | 60                           |
| 1,25 | 2,5  | 50                           | 80                           |
| 1,5  | 3,0  | 63                           | 95                           |
| 2,0  | 4,0  | 80                           | 130                          |
| 2,5  | 5,0  | 90                           | —                            |
| 3,0  | 6,0  | 100                          | —                            |





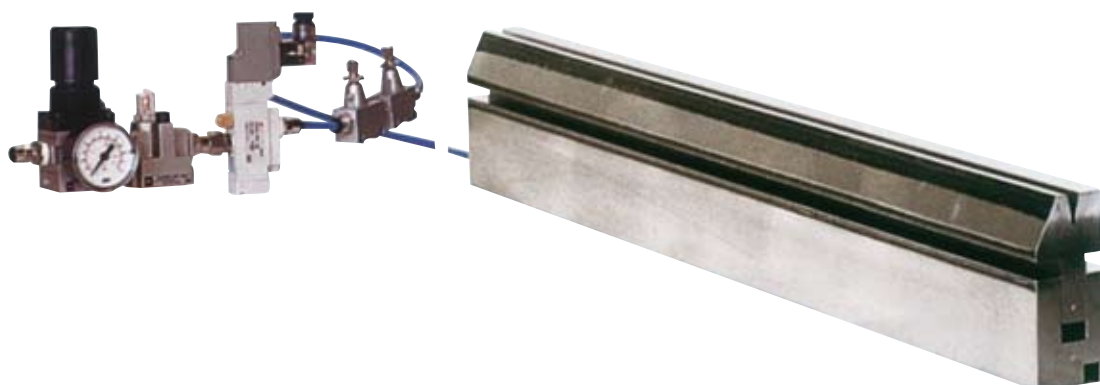
Le matrici piegasciaccia Rolleri sono dotate di un sistema meccanico di bloccaggio delle molle. Grazie a questo sistema si ha la possibilità di utilizzare il piegasciaccia come una matrice standard.

Thanks to a mechanical locking system of the springs, Roller hemming dies can be used as standard dies.

**PROMECAM-AMADA TYPE**

## S101PN-35-06 ÷ SA135PN-26-12 KPN

835



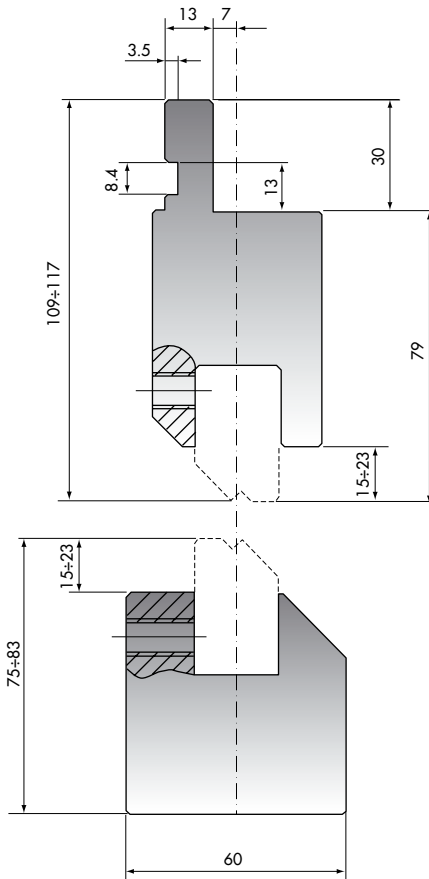
KPN

|               | H mm | V      | max t/m |      |
|---------------|------|--------|---------|------|
| S101PN-35-06  | 101  | 6-35°  | 60      | C45  |
| S101PN-35-08  | 101  | 8-35°  | 60      | C45  |
| S101PN-35-10  | 101  | 10-35° | 60      | C45  |
| S135PN-26-08  | 135  | 8-26°  | 40      | 42Cr |
| S135PN-26-10  | 135  | 10-26° | 100     | C45  |
| SA135PN-26-12 | 135  | 12-26° | 100     | C45  |

CPZ

C45

835



|     | max t/m |
|-----|---------|
| CPZ | 100     |

PROMECAM-AMADA TYPE

CEZ-1 ÷ CEZ-12

C45

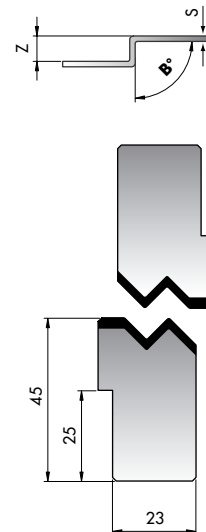
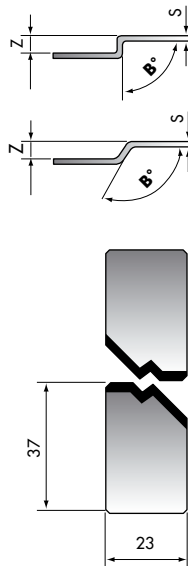
90° 140° 150° 160°

835



|         | Z mm | B°   | S* mm | max t/m |
|---------|------|------|-------|---------|
| CEZ-1   | 1    | 160° | 1,2   | 100     |
| CEZ-1.5 | 1,5  | 160° | 1,5   | 100     |
| CEZ-2   | 2    | 150° | 1,4   | 100     |
| CEZ-2.5 | 2,5  | 140° | 1,3   | 100     |
| CEZ-3   | 3    | 90°  | 1     | 100     |
| CEZ-3.5 | 3,5  | 90°  | 1     | 100     |
| CEZ-4   | 4    | 90°  | 1,2   | 100     |
| CEZ-4.5 | 4,5  | 90°  | 1,2   | 100     |
| CEZ-5   | 5    | 90°  | 1,3   | 100     |
| CEZ-5,5 | 5,5  | 90°  | 1,4   | 100     |
| CEZ-6   | 6    | 90°  | 1,5   | 100     |
| CEZ-6.5 | 6,5  | 90°  | 1,5   | 100     |
| CEZ-7   | 7    | 90°  | 1,5   | 100     |
| CEZ-7.5 | 7,5  | 90°  | 1,6   | 100     |
| CEZ-8   | 8    | 90°  | 1,6   | 100     |

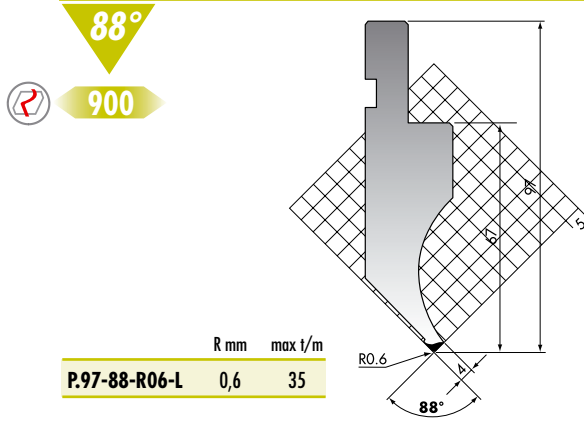
\* Fe Rmax = 42 Kg/mm<sup>2</sup>



|        | Z mm | B°  | S* mm | max t/m |
|--------|------|-----|-------|---------|
| CEZ-9  | 9    | 90° | 1,8   | 100     |
| CEZ-10 | 10   | 90° | 1,8   | 100     |
| CEZ-11 | 11   | 90° | 2     | 100     |
| CEZ-12 | 12   | 90° | 2     | 100     |
| CEZ-13 | 13   | 90° | 2     | 100     |
| CEZ-14 | 14   | 90° | 2     | 100     |
| CEZ-15 | 15   | 90° | 2,3   | 100     |

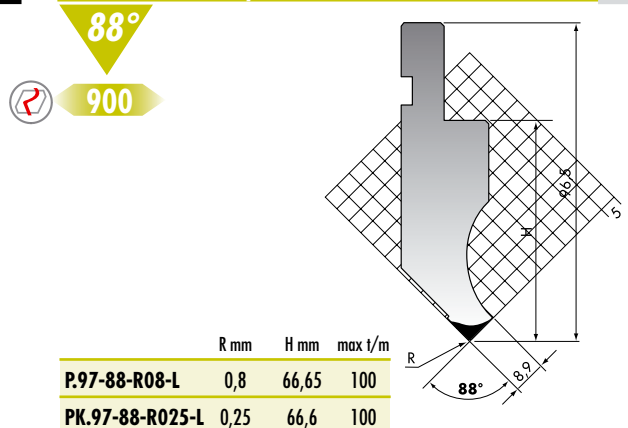
\* Fe Rmax = 42 Kg/mm<sup>2</sup>

**P.97-88-R06-L** **42Cr**



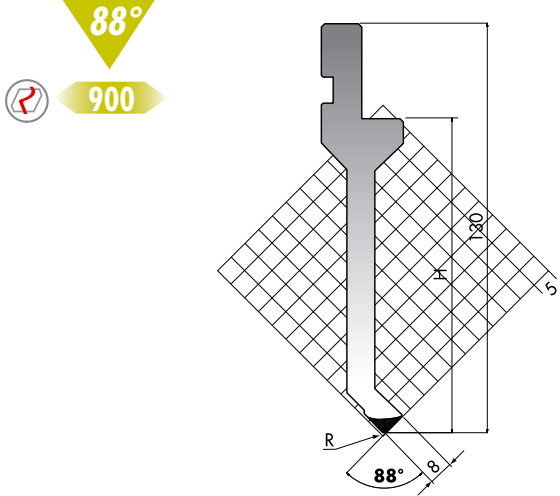
|                      | R mm | max t/m |
|----------------------|------|---------|
| <b>P.97-88-R06-L</b> | 0,6  | 35      |

**P.97-88-R08-L/PK.97-88-R025-L** **C45**



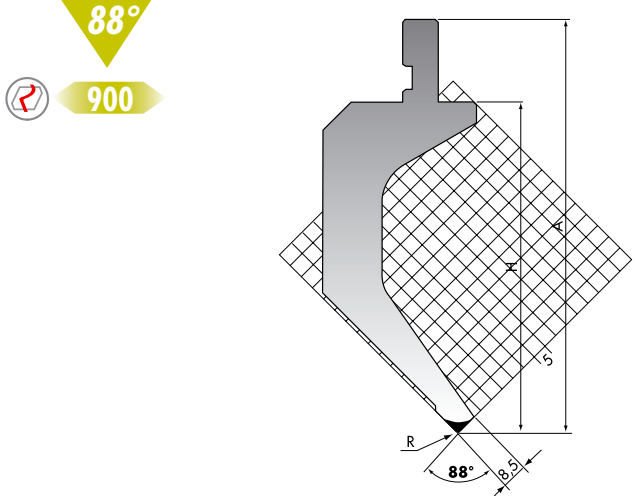
|                        | R mm | H mm  | max t/m |
|------------------------|------|-------|---------|
| <b>P.97-88-R08-L</b>   | 0,8  | 66,65 | 100     |
| <b>PK.97-88-R025-L</b> | 0,25 | 66,6  | 100     |

**P.130-88-R06-L/PK.130-88-R025-L** **42Cr**



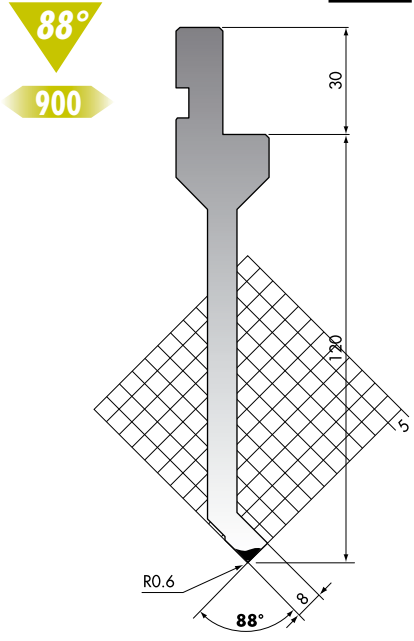
|                         | R mm | H mm  | max t/m |
|-------------------------|------|-------|---------|
| <b>P.130-88-R06-L</b>   | 0,6  | 100   | 35      |
| <b>PK.130-88-R025-L</b> | 0,25 | 99,95 | 35      |

**P.150-88-R08-L/R3-L** **42Cr**



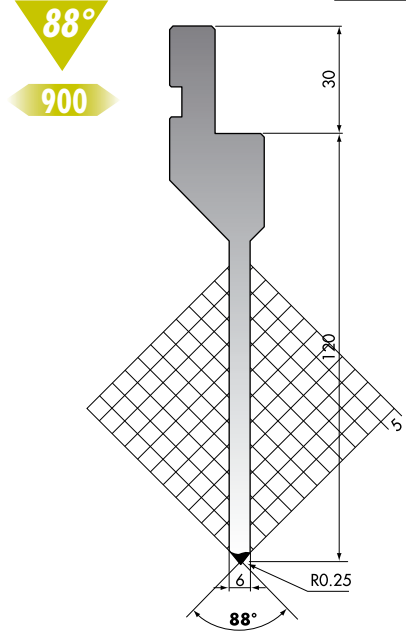
|                       | R mm | H mm | A mm | max t/m |
|-----------------------|------|------|------|---------|
| <b>P.150-88-R08-L</b> | 0,8  | 120  | 150  | 50      |
| <b>P.150-88-R3-L</b>  | 3    | 119  | 149  | 50      |

**P.150.88.R06-L** **42Cr**



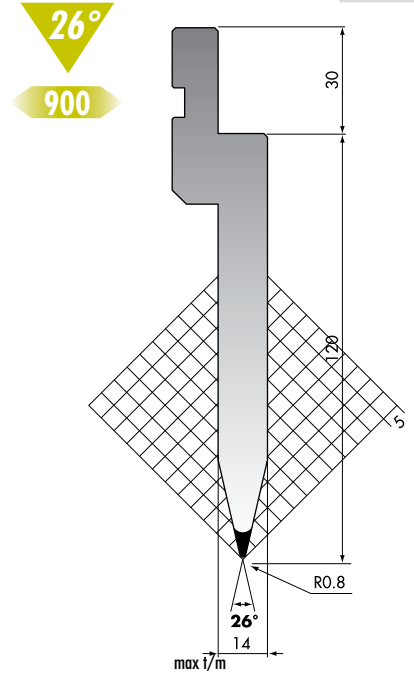
|                       | max t/m |
|-----------------------|---------|
| <b>P.150-88-R06-L</b> | 35      |

**P.150.88.R025-L** **42Cr**



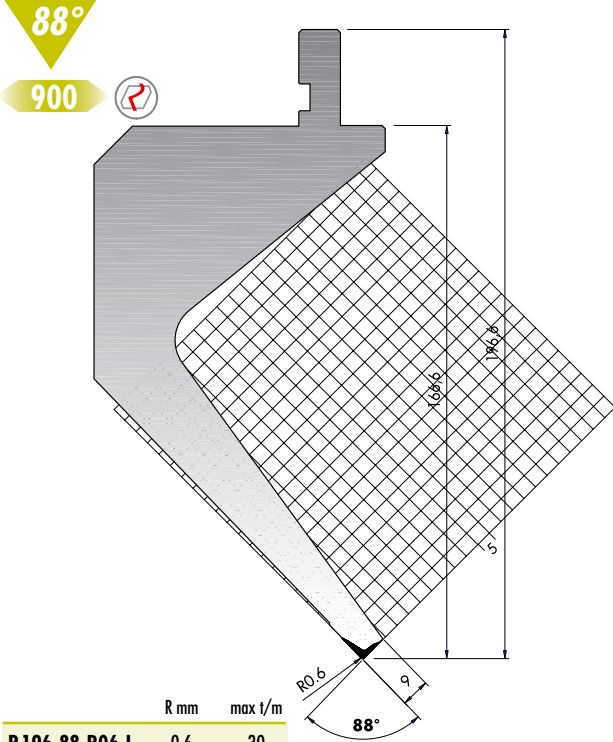
|                        | max t/m |
|------------------------|---------|
| <b>P.150-88-R025-L</b> | 50      |

**PU.150-26-R08-L** **C45**



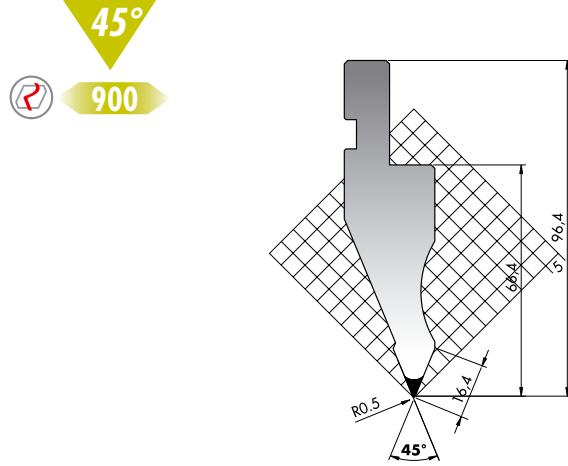
|                        | max t/m |
|------------------------|---------|
| <b>PU.150-26-R08-L</b> | 100     |

**P.196-88-R06-L** C45



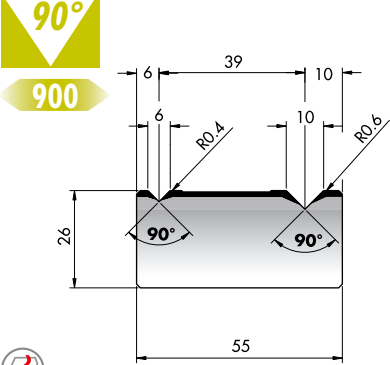
|                | R mm | max t/m |
|----------------|------|---------|
| P.196-88-R06-L | 0,6  | 30      |

**P.97-45-R05-L** C45



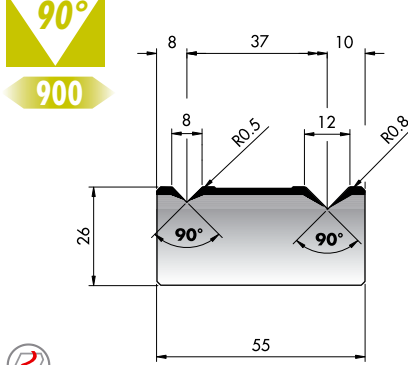
|               | R mm | max t/m |
|---------------|------|---------|
| P.97-45-R05-L | 0,5  | 80      |

**M26-90-01-L** C45



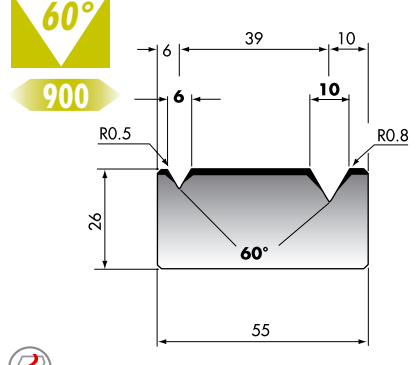
|             | max t/m |
|-------------|---------|
| M26-90-01-L | 100     |

**M26-90-02-L** C45



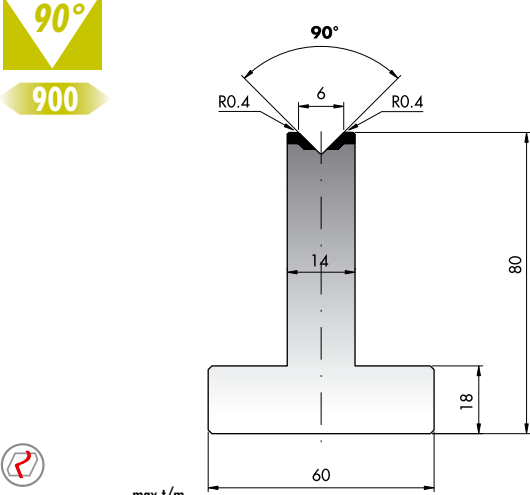
|             | max t/m |
|-------------|---------|
| M26-90-02-L | 100     |

**M26-60-01-L** C45



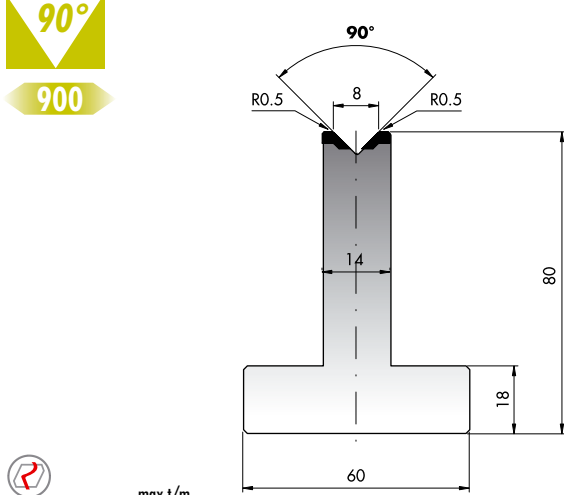
|             | max t/m |
|-------------|---------|
| M26-60-01-L | 60      |

**T80-06-90-L** C45



|             | max t/m |
|-------------|---------|
| T80-06-90-L | 100     |

**T80-08-90-L** C45



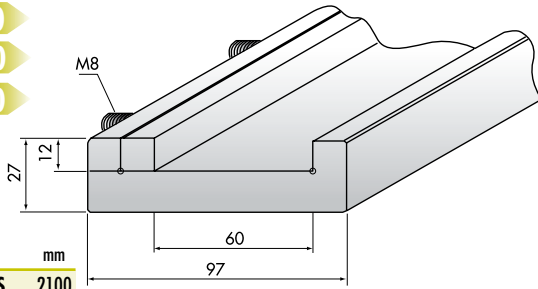
|             | max t/m |
|-------------|---------|
| T80-08-90-L | 100     |

# PROMECAM-AMADA TYPE

✓ HRC 54-60 (1980->2200 N/mm<sup>2</sup>)

## C 2000/S C 2500/S C 3000/S C 4000/S

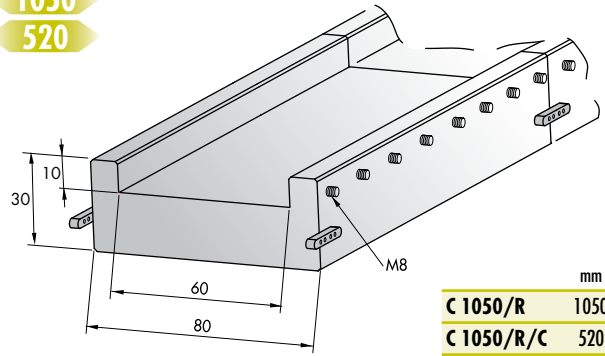
- 2100
- 2600
- 3100
- 4100



|          | mm   |
|----------|------|
| C 2000/S | 2100 |
| C 2500/S | 2600 |
| C 3000/S | 3100 |
| C 4000/S | 4100 |

## C 1050/R

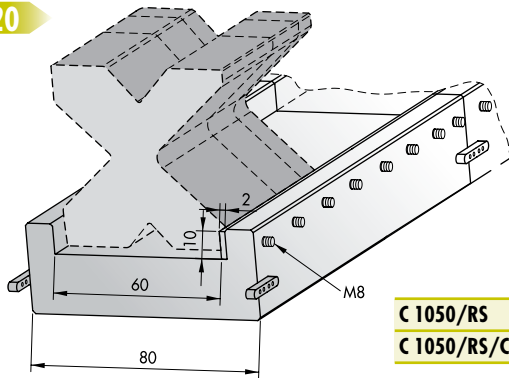
- 1050
- 520



|            | mm   |
|------------|------|
| C 1050/R   | 1050 |
| C 1050/R/C | 520  |

## C 1050/RS

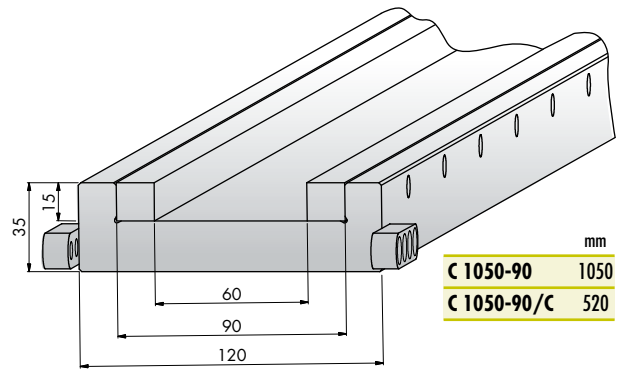
- 1050
- 520



|             | mm   |
|-------------|------|
| C 1050/RS   | 1050 |
| C 1050/RS/C | 520  |

## C 1050-90

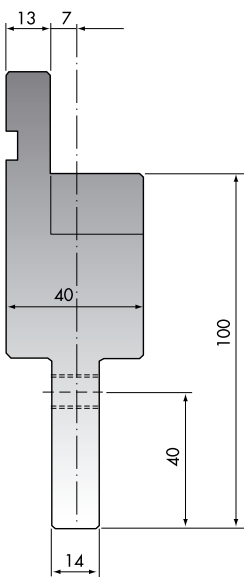
- 1050
- 520



|             | mm   |
|-------------|------|
| C 1050-90   | 1050 |
| C 1050-90/C | 520  |

## INT100 C45

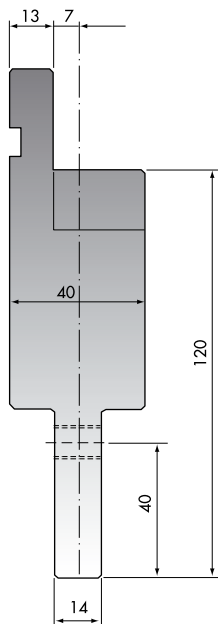
- 150



|        | max t/m |
|--------|---------|
| INT100 | 100     |

## INT120 C45

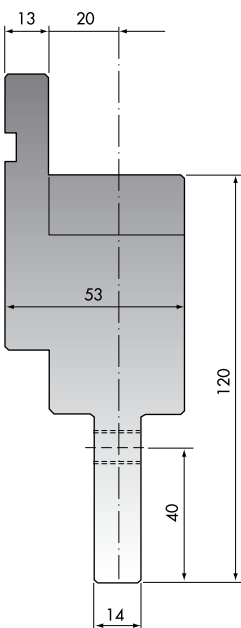
- 150



|        | max t/m |
|--------|---------|
| INT120 | 100     |

## INT120-40 C45

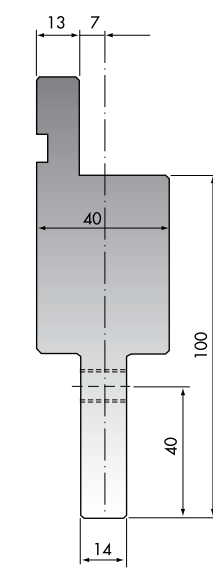
- 150



|           | max t/m |
|-----------|---------|
| INT120-40 | 100     |

## INT100 FISSO C45

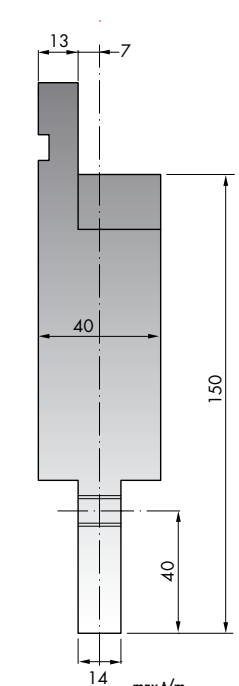
- 150



|              | max t/m |
|--------------|---------|
| INT100 FISSO | 100     |

## INT150 C45

- 150



|        | max t/m |
|--------|---------|
| INT150 | 100     |

PROMECAM-AMADA TYPE

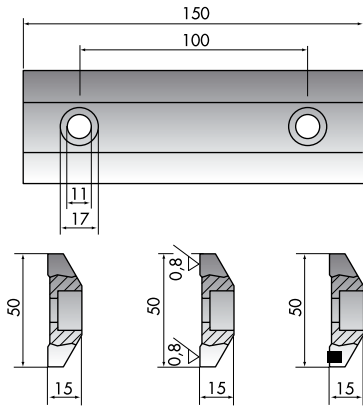
# PROMECAM-AMADA TYPE

HRc 54-60 (1980->2200 N/mm<sup>2</sup>)

PROMECAM-AMADA TYPE

ST50 ST50R STG50 Fe37

150



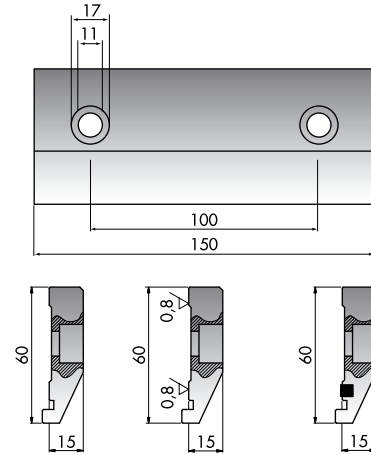
ST50

ST50R

STG50

ST60 ST60R STG60 Fe37

150



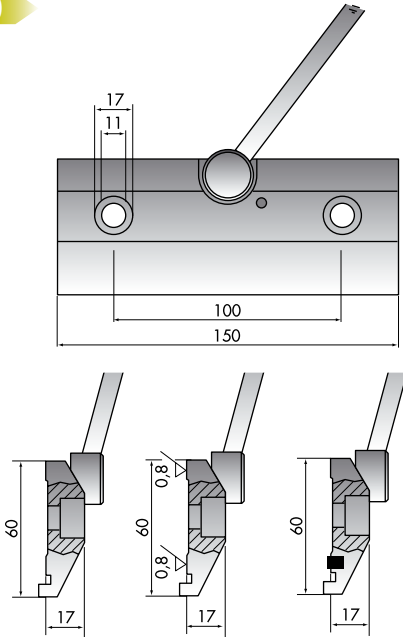
ST60

ST60R

STG60

STL60 STL60R STLG60 Fe37

150



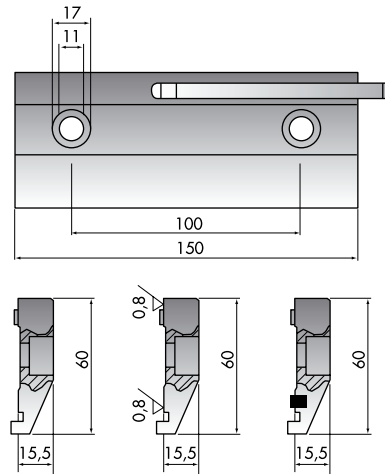
STL60

STL60R

STLG60

STX60 STX60R STXG60 Fe37

150

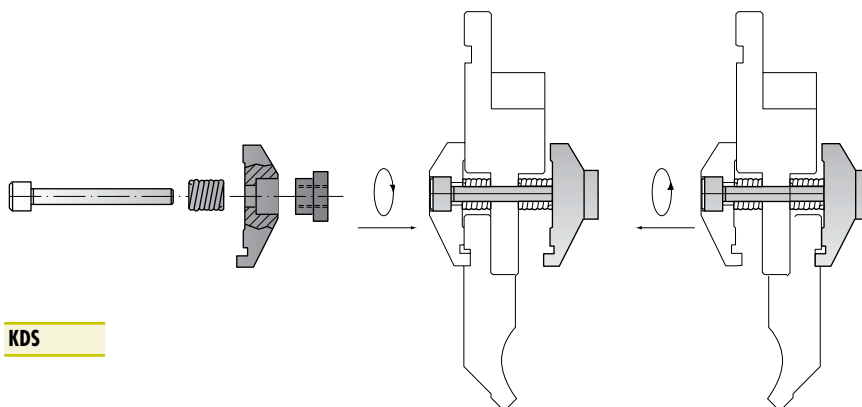


STX60

STX60R

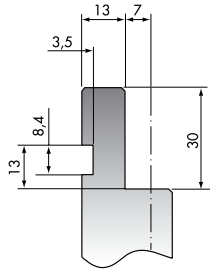
STXG60

KDS



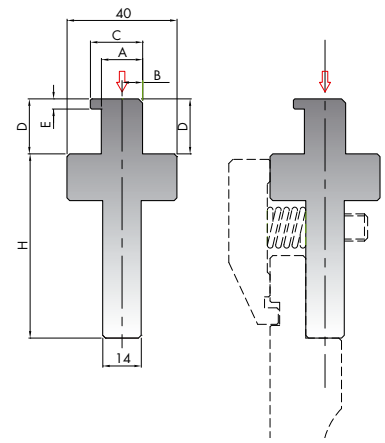
KDS

**STANDARD**



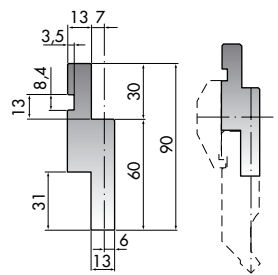
**ADX**

150



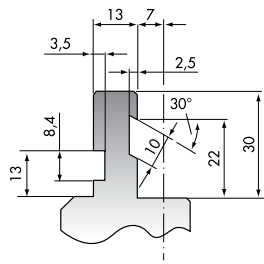
**AD4** **C45**

150



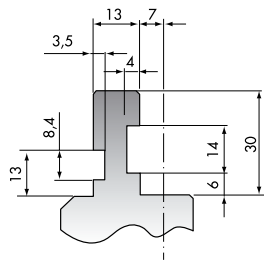
|            |            |
|------------|------------|
| max t/m    |            |
| <b>AD4</b> | <b>100</b> |

**A1**



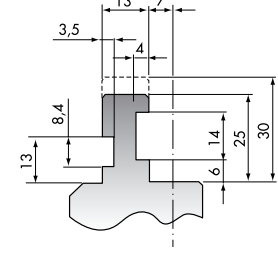
**A1**

**A6**



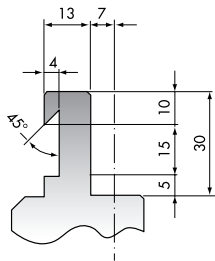
**A6**

**A7**



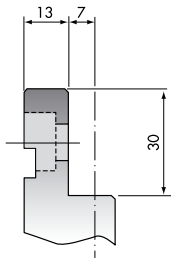
**A7**

**A8**



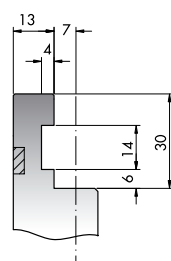
**A8**

**A9**



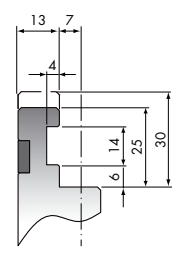
**A9**

**A41**



**A41**

**A42**

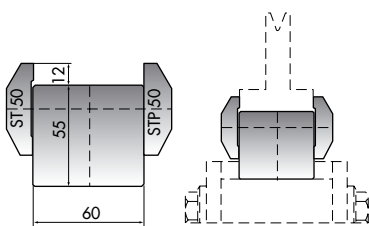


**A42**

**CTS60** **C45**

835

415

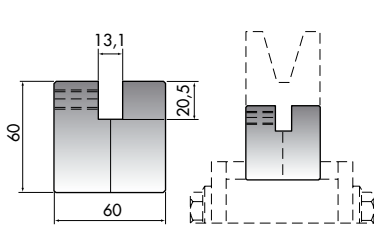


|                |            |
|----------------|------------|
| mm             |            |
| <b>CTS60</b>   | <b>835</b> |
| <b>CTS60/C</b> | <b>415</b> |

**AD5 (PROMECAM/TRUMPF-BEYELER)** **C45**

1000

500

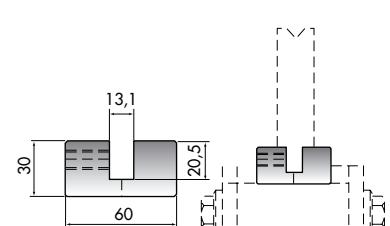


|              |             |
|--------------|-------------|
| mm           |             |
| <b>AD5</b>   | <b>1000</b> |
| <b>AD5/C</b> | <b>500</b>  |

**AD6 (PROMECAM/TRUMPF-BEYELER)** **C45**

1000

500



|              |             |
|--------------|-------------|
| mm           |             |
| <b>AD6</b>   | <b>1000</b> |
| <b>AD6/C</b> | <b>500</b>  |



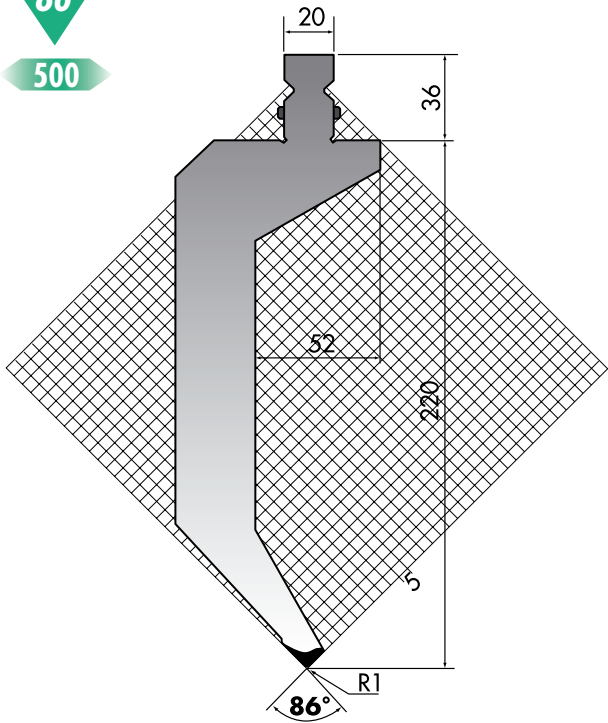


# TRUMPF-WILA TYPE

✓ HRC 54-60 (1980->2200 N/mm<sup>2</sup>)

**TPR256-86-R1** **42Cr**

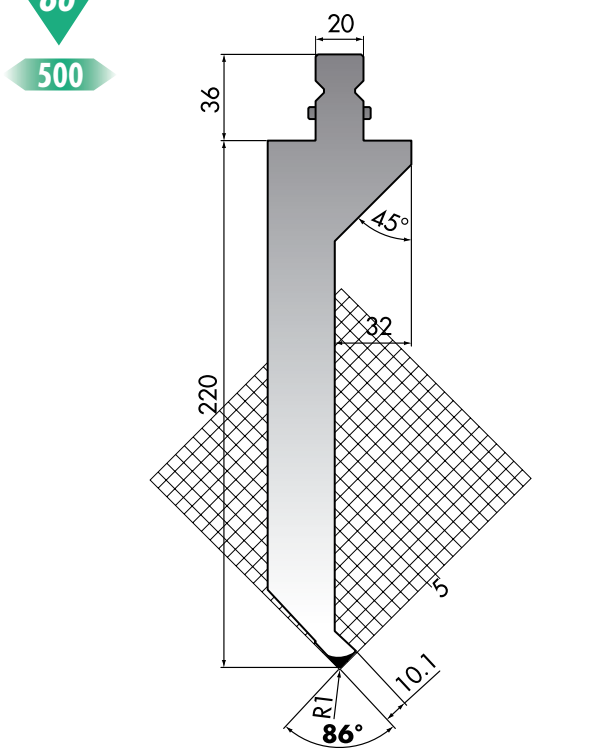
**86°**  
**500**



max t/m  
**TPR256-86-R1 80**

**TPR256-86-R1-A** **42Cr**

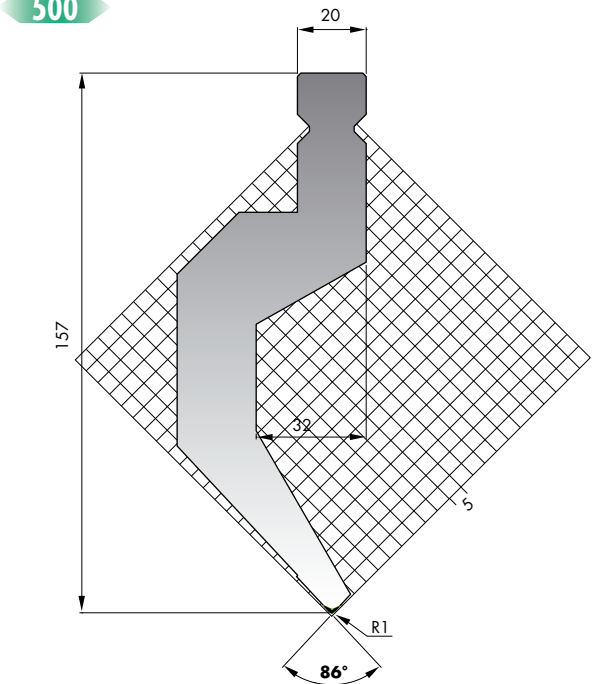
**86°**  
**500**



max t/m  
**TPR256-86-R1-A 80**

**TPR157-86-R1** **42Cr**

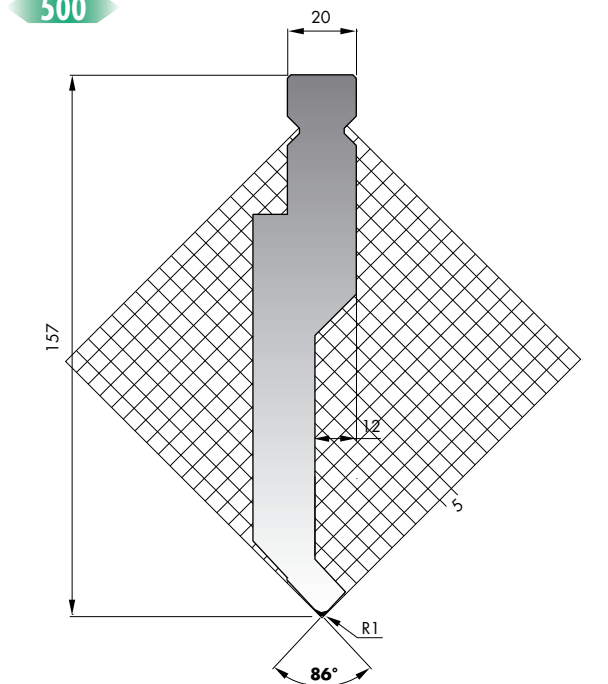
**86°**  
**500**



max t/m  
**TPR157-86-R1 80**

**TPR157-86-R1-A** **42Cr**

**86°**  
**500**



max t/m  
**TPR157-86-R1-A 80**

**TRUMPF-WILA TYPE**

# TRUMPF-WILA TYPE

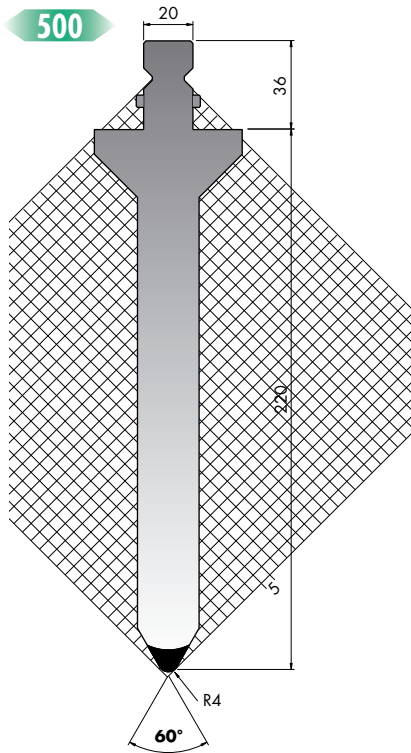
HRc 54-60 (1980->2200 N/mm<sup>2</sup>)

TRUMPF-WILA TYPE

**TPR256-60-R4** **42Cr**

60°

500



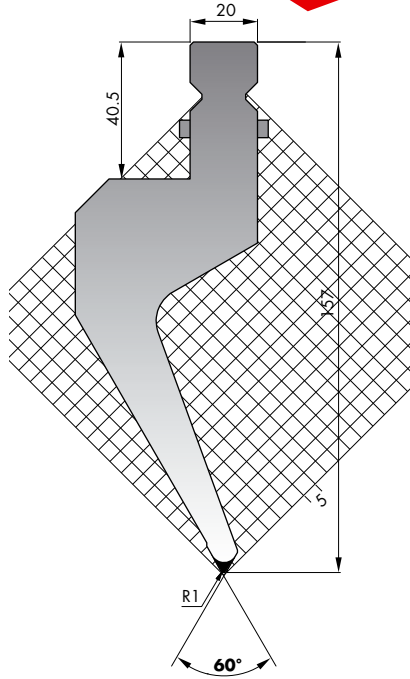
max t/m  
**TPR256-60-R4** 130

**TPR157-60-R1** **42Cr**

60°

500

**NEW**

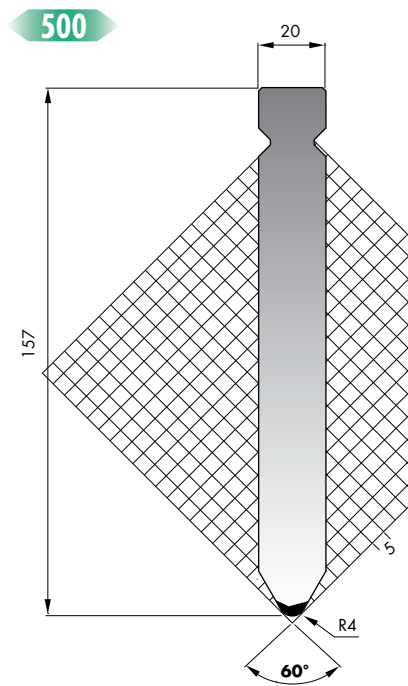


max t/m  
**TPR157-60-R1** 70

**TPR157-60-R4** **42Cr**

60°

500

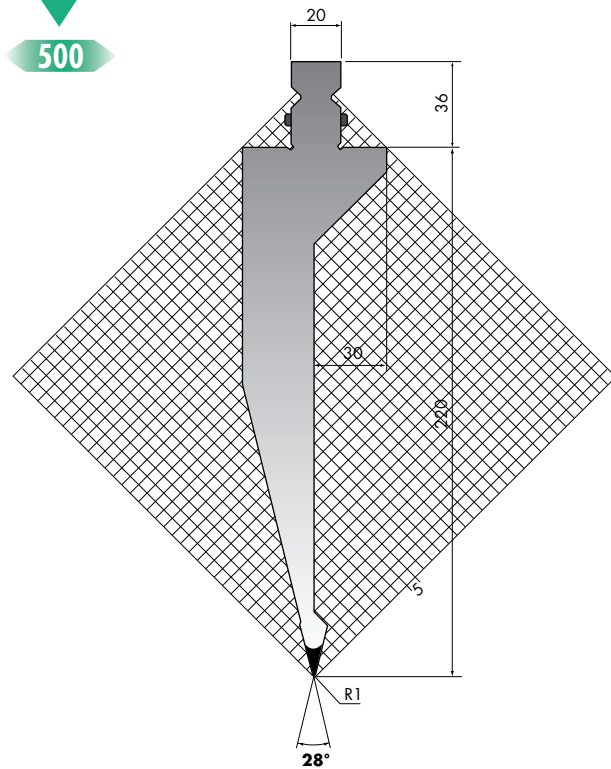


max t/m  
**TPR157-60-R4** 130

**TPR256-28-R1** **42Cr**

28°

500

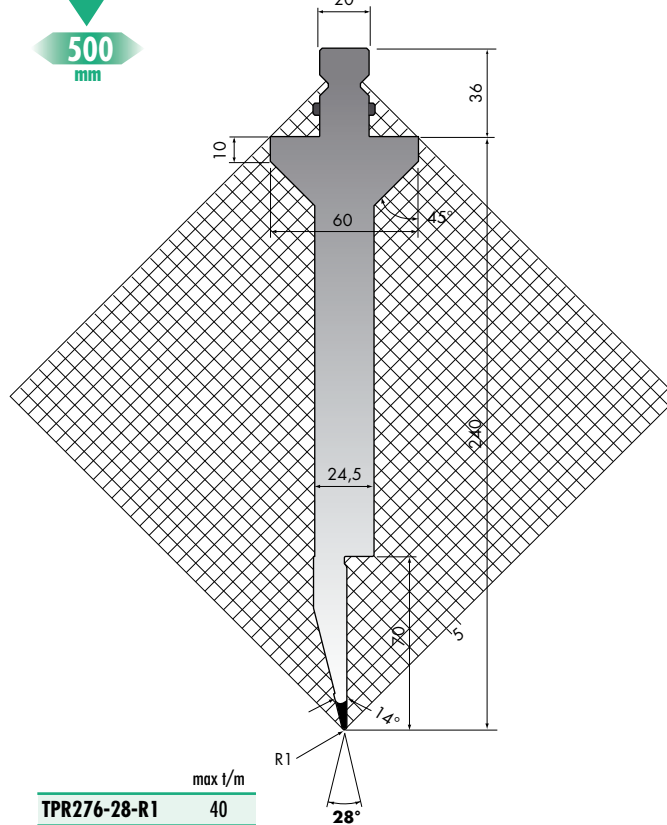


max t/m  
**TPR256-28-R1** 60

**TPR276-28-R1** **42Cr**

28°

500 mm

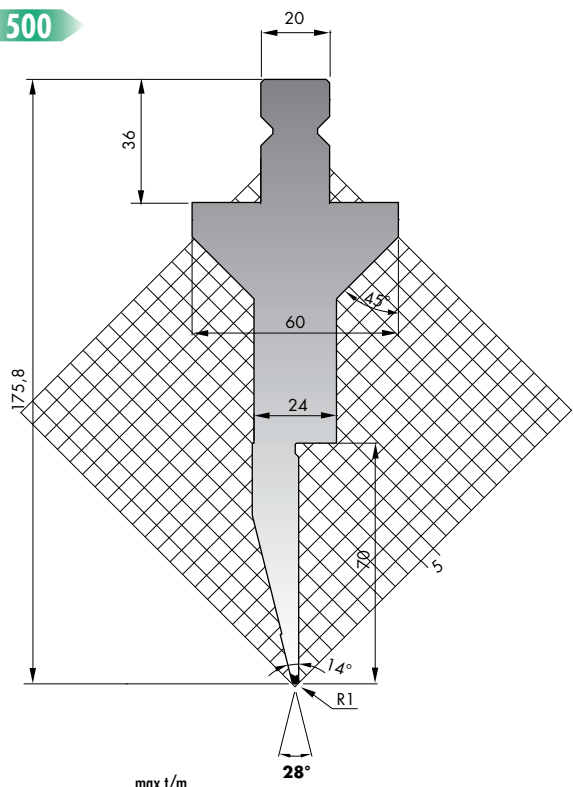


max t/m  
**TPR276-28-R1** 40

**TPR176-28-R1** **42Cr**

28°

500

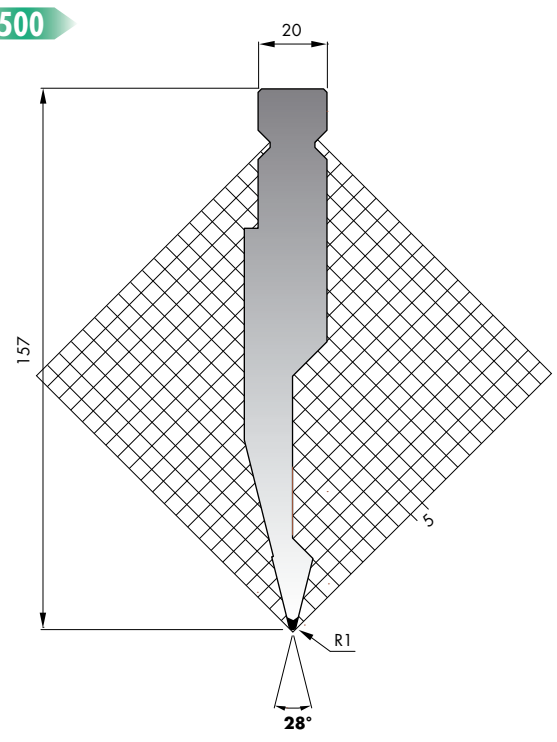


|              | max t/m |
|--------------|---------|
| TPR176-28-R1 | 40      |

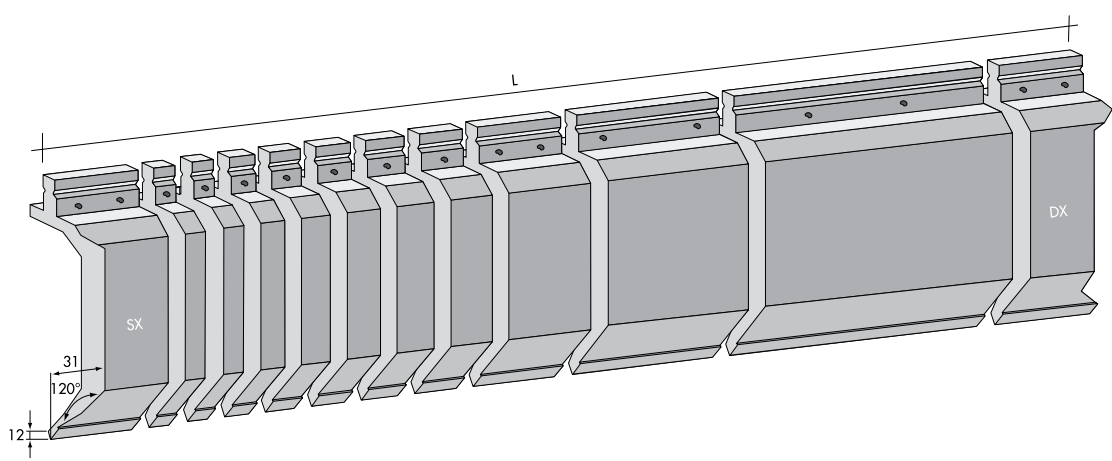
**TPR157-28-R1** **42Cr**

28°

500



|              | max t/m |
|--------------|---------|
| TPR157-28-R1 | 60      |



| TPR2...6/FD/(L) |  |
|-----------------|--|
| L               |  |
| 300             |  |
| 200             |  |
| 100             |  |
| 100 DX          |  |
| 100 SX          |  |
| 50              |  |
| 45              |  |
| 40              |  |
| 35              |  |
| 30              |  |
| 25              |  |

**TPR2...6/FA/(L)**

| L    | 25 | 30 | 35 | 40 | 45 | 50 | 100 DX | 100 SX | 100 |
|------|----|----|----|----|----|----|--------|--------|-----|
| 1250 | 2  | 1  | 1  | 1  | 1  | 1  | 1      | 1      | 8   |
| 2050 | 2  | 1  | 1  | 1  | 1  | 1  | 1      | 1      | 16  |
| 2550 | 2  | 1  | 1  | 1  | 1  | 1  | 1      | 1      | 21  |
| 3050 | 2  | 1  | 1  | 1  | 1  | 1  | 1      | 1      | 26  |
| 4050 | 2  | 1  | 1  | 1  | 1  | 1  | 1      | 1      | 36  |

**TPR2...6/FB/(L)**

| L    | 25 | 30 | 35 | 40 | 45 | 50 | 100 DX | 100 SX | 100 | 200 | 300 |
|------|----|----|----|----|----|----|--------|--------|-----|-----|-----|
| 1250 | 2  | 1  | 1  | 1  | 1  | 1  | 1      | 1      | 1   | 2   | 1   |
| 2050 | 2  | 1  | 1  | 1  | 1  | 1  | 1      | 1      | 1   | 3   | 3   |
| 2550 | 2  | 1  | 1  | 1  | 1  | 1  | 1      | 1      | 1   | 4   | 4   |
| 3050 | 2  | 1  | 1  | 1  | 1  | 1  | 1      | 1      | 1   | 5   | 5   |
| 4050 | 2  | 1  | 1  | 1  | 1  | 1  | 1      | 1      | 1   | 7   | 7   |

**TPR2...6/FC/(L)**

| L   | 25 | 30 | 35 | 40 | 45 | 50 |
|-----|----|----|----|----|----|----|
| 250 | 2  | 1  | 1  | 1  | 1  | 1  |

# TRUMPF-WILA TYPE

HRc 54-60 (1980->2200 N/mm<sup>2</sup>)

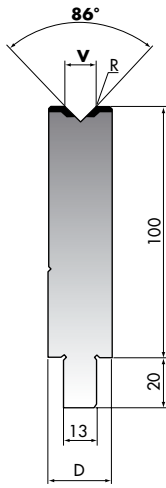
TRUMPF-WILA TYPE

## TMR100-06-86÷TMR100-50-86

86°

42Cr

500



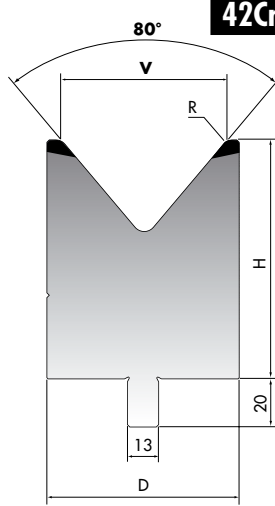
|              | V  | R   | D  | max t/m |
|--------------|----|-----|----|---------|
| TMR100-06-86 | 6  | 0,6 | 20 | 120     |
| TMR100-08-86 | 8  | 0,8 | 20 | 115     |
| TMR100-10-86 | 10 | 1   | 20 | 110     |
| TMR100-12-86 | 12 | 1   | 25 | 120     |
| TMR100-16-86 | 16 | 1,6 | 30 | 120     |
| TMR100-20-86 | 20 | 2   | 30 | 115     |
| TMR100-24-86 | 24 | 2,5 | 35 | 120     |
| TMR100-30-86 | 30 | 3   | 45 | 120     |
| TMR100-40-86 | 40 | 3   | 55 | 120     |
| TMR100-50-86 | 50 | 3   | 75 | 150     |

## TMR100-60-80÷TMR120-100-80

80°

42Cr

500



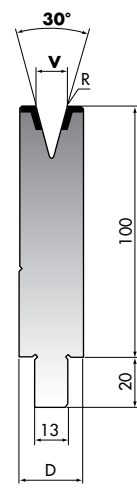
|               | V   | H   | R | D   | max t/m |
|---------------|-----|-----|---|-----|---------|
| TMR100-60-80  | 60  | 100 | 5 | 75  | 150     |
| TMR100-70-80  | 70  | 100 | 5 | 85  | 150     |
| TMR100-80-80  | 80  | 100 | 5 | 100 | 150     |
| TMR120-90-80  | 90  | 120 | 8 | 110 | 150     |
| TMR120-100-80 | 100 | 120 | 8 | 120 | 150     |

## TMR100-06-30÷TMR100-30-30

30°

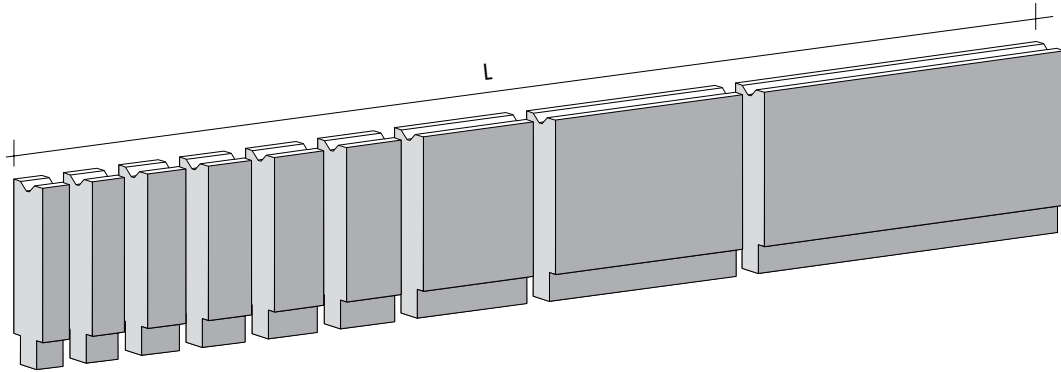
42Cr

500



|              | V  | R   | D  | max t/m |
|--------------|----|-----|----|---------|
| TMR100-06-30 | 6  | 0,6 | 20 | 40      |
| TMR100-08-30 | 8  | 1   | 20 | 40      |
| TMR100-10-30 | 10 | 1   | 20 | 40      |
| TMR100-12-30 | 12 | 1   | 25 | 40      |
| TMR100-16-30 | 16 | 1,6 | 30 | 50      |
| TMR100-20-30 | 20 | 2   | 35 | 60      |
| TMR100-24-30 | 24 | 2,5 | 40 | 65      |
| TMR100-30-30 | 30 | 3   | 55 | 90      |

## TMR



### TMR1...0/FA/(L)

| L    | 25 | 30 | 35 | 40 | 45 | 50 | 100 |
|------|----|----|----|----|----|----|-----|
| 1250 | 2  | 1  | 1  | 1  | 1  | 1  | 10  |
| 2050 | 2  | 1  | 1  | 1  | 1  | 1  | 18  |
| 2550 | 2  | 1  | 1  | 1  | 1  | 1  | 23  |
| 3050 | 2  | 1  | 1  | 1  | 1  | 1  | 28  |
| 4050 | 2  | 1  | 1  | 1  | 1  | 1  | 38  |

### TMR1...0/FC/(L)

| L   | 25 | 30 | 35 | 40 | 45 | 50 |
|-----|----|----|----|----|----|----|
| 250 | 2  | 1  | 1  | 1  | 1  | 1  |

### TMR1...0/FB/(L)

| L    | 25 | 30 | 35 | 40 | 45 | 50 | 100 | 200 | 300 | 500 |
|------|----|----|----|----|----|----|-----|-----|-----|-----|
| 1250 | 2  | 1  | 1  | 1  | 1  | 1  | 3   | 2   | 1   | 0   |
| 2050 | 2  | 1  | 1  | 1  | 1  | 1  | 3   | 1   | 1   | 2   |
| 2550 | 2  | 1  | 1  | 1  | 1  | 1  | 3   | 1   | 1   | 3   |
| 3050 | 2  | 1  | 1  | 1  | 1  | 1  | 3   | 1   | 1   | 4   |
| 4050 | 2  | 1  | 1  | 1  | 1  | 1  | 3   | 1   | 1   | 6   |

### TMR1...0/FD/(L)

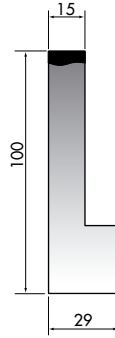
|     |
|-----|
| 300 |
| 200 |
| 100 |
| 50  |
| 45  |
| 40  |
| 35  |
| 30  |
| 25  |

**TMI100** C45



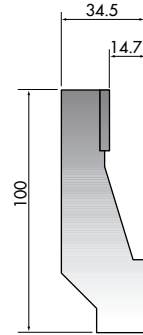
|         |     |
|---------|-----|
| max t/m | 130 |
|---------|-----|

**TML100** C45



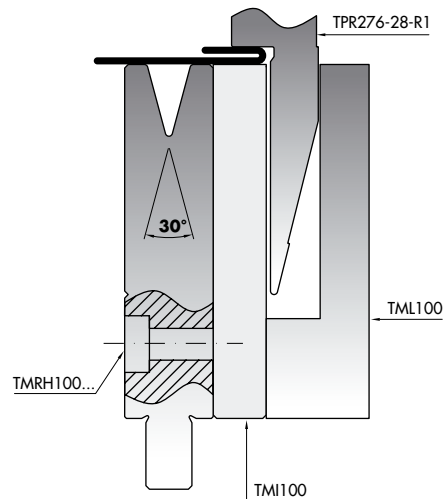
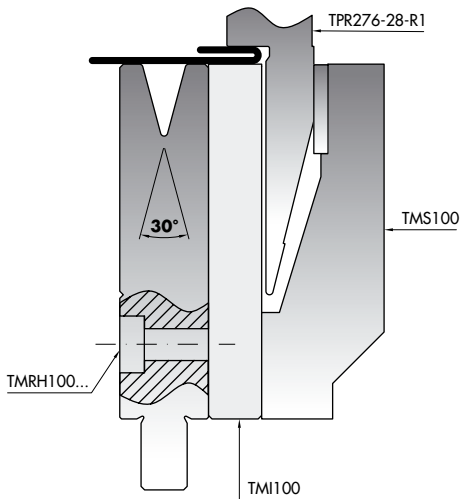
|         |     |
|---------|-----|
| max t/m | 120 |
|---------|-----|

**TMS100** C45

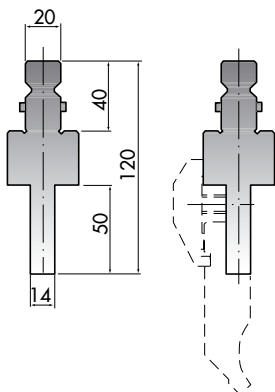


|         |     |
|---------|-----|
| max t/m | 130 |
|---------|-----|

TRUMPF-WILA TYPE

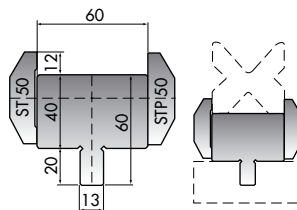


**AD11 (TRUMPF/PROMECAM)**  
150 C45



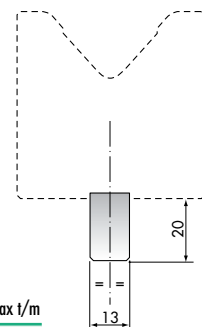
|         |     |
|---------|-----|
| max t/m | 100 |
|---------|-----|

**AD7 (TRUMPF-BEYELER/PROMECAM)**  
835 C45  
415



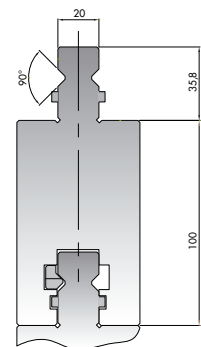
|         |     |
|---------|-----|
| max t/m | 835 |
| AD7/C   | 415 |

**A30 (TRUMPF-BEYELER/PROMECAM)**  
835 C45  
415  
805



|         |     |
|---------|-----|
| max t/m | 835 |
| A30/C   | 415 |
| A30/F   | 805 |

**AD21 (TRUMPF/TRUMPF)**  
150 42Cr

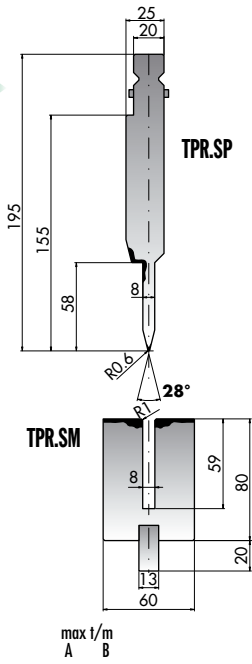


|         |     |
|---------|-----|
| max t/m | 150 |
|---------|-----|

**TPR.S (TPR.SP+TPR.SM) 42Cr**

**28°**

**525**

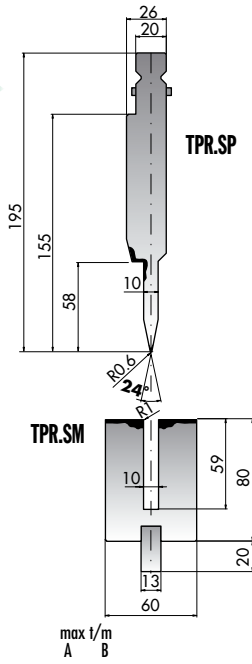


|                        |        |
|------------------------|--------|
| <b>TPR.S-195.28.8</b>  |        |
| <b>TPR.SP-195.28.8</b> | 80 100 |
| <b>TPR.SM-195.28.8</b> | 50 100 |

**TPR.S (TPR.SP+TPR.SM) 42Cr**

**24°**

**525**

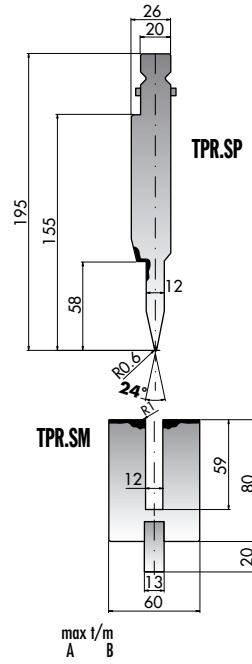


|                         |        |
|-------------------------|--------|
| <b>TPR.S-195.24.10</b>  |        |
| <b>TPR.SP-195.24.10</b> | 80 100 |
| <b>TPR.SM-195.24.10</b> | 50 100 |

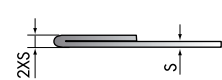
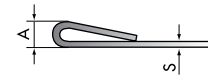
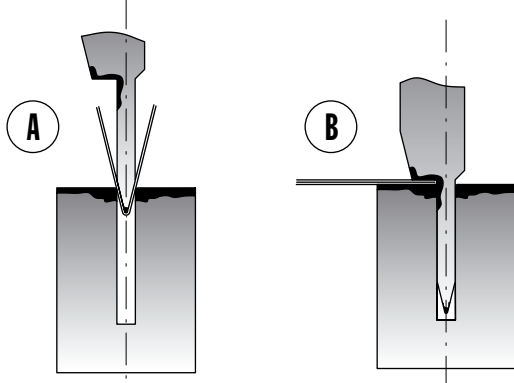
**TPR.S (TPR.SP+TPR.SM) 42Cr**

**24°**

**525**



|                         |        |
|-------------------------|--------|
| <b>TPR.S-195.24.12</b>  |        |
| <b>TPR.SP-195.24.12</b> | 80 100 |
| <b>TPR.SM-195.24.12</b> | 50 100 |



| S mm | A mm | R.45 Kgf/mm <sup>2</sup> t/m | R.70 Kgf/mm <sup>2</sup> t/m |
|------|------|------------------------------|------------------------------|
| 0,6  | 3,0  | 9                            | 15                           |
| 0,8  | 3,0  | 12                           | 20                           |
| 1,0  | 3,5  | 15                           | 25                           |
| 1,25 | 3,5  | 17                           | 26                           |
| 1,5  | 4,6  | 22                           | 38                           |
| 2,0  | 5,5  | 30                           | 50                           |

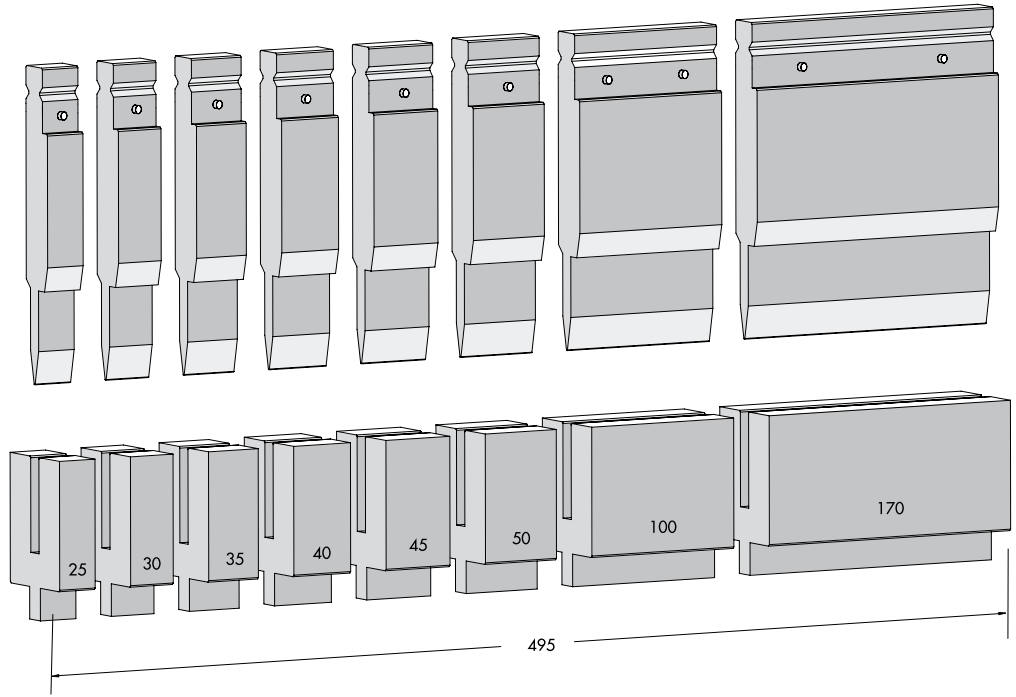
| S mm | A mm | R.45 Kgf/mm <sup>2</sup> t/m | R.70 Kgf/mm <sup>2</sup> t/m |
|------|------|------------------------------|------------------------------|
| 0,6  | 1,2  | 23                           | 35                           |
| 0,8  | 1,6  | 32                           | 50                           |
| 1,0  | 2,0  | 40                           | 60                           |
| 1,25 | 2,5  | 50                           | 80                           |
| 1,5  | 3,0  | 63                           | 95                           |
| 2,0  | 4,0  | 80                           | 130                          |

**TPR**

- TPR.S-195.28.8/F
- TPR.SP-195.28.8/F
- TPR.SM-195.28.8/F

- TPR.S-195.24.10/F
- TPR.SP-195.24.10/F
- TPR.SM-195.24.10/F

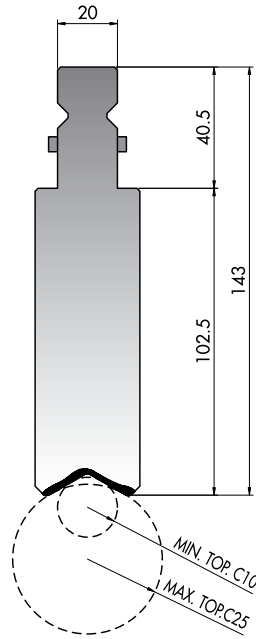
- TPR.S-195.24.12/F
- TPR.SP-195.24.12/F
- TPR.SM-195.24.12/F



TPR143.10

42Cr

522

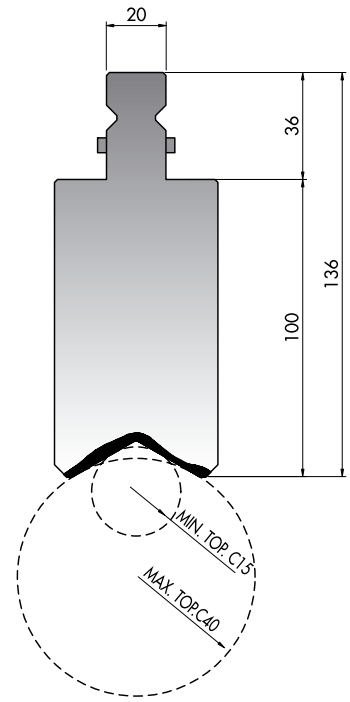


|           |         |
|-----------|---------|
|           | max t/m |
| TPR143.10 | 100     |

TPR136.15

42Cr

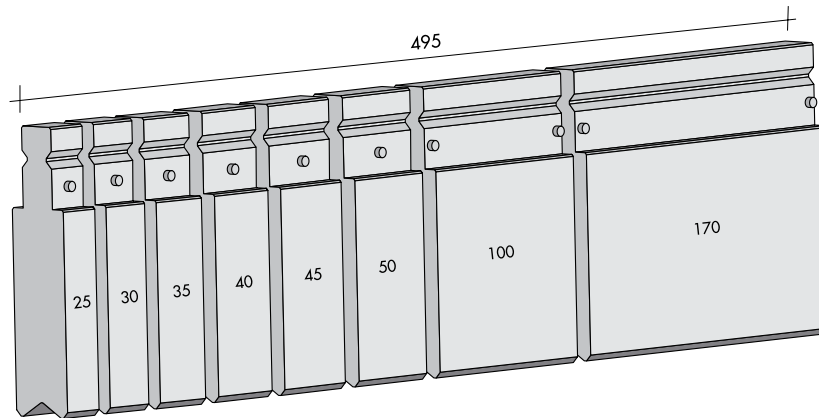
522



|           |         |
|-----------|---------|
|           | max t/m |
| TPR136.15 | 100     |

TRUMPF-WILA TYPE

TPR

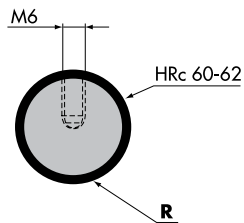


TPR...../F

TOP.C10 ÷ TOP.C40

C45

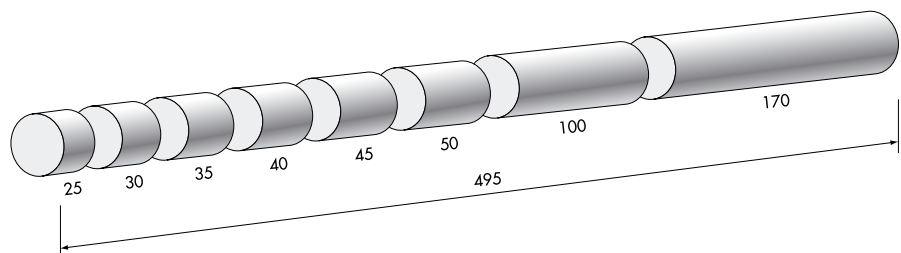
525



|           | R mm | max t/m |
|-----------|------|---------|
| TOP.C10   | 10   | 100     |
| TOP.C12.5 | 12,5 | 100     |
| TOP.C15   | 15   | 100     |
| TOP.C17.5 | 17,5 | 100     |

|         | R mm | max t/m |
|---------|------|---------|
| TOP.C20 | 20   | 100     |
| TOP.C25 | 25   | 100     |
| TOP.C30 | 30   | 100     |
| TOP.C35 | 35   | 100     |
| TOP.C40 | 40   | 100     |

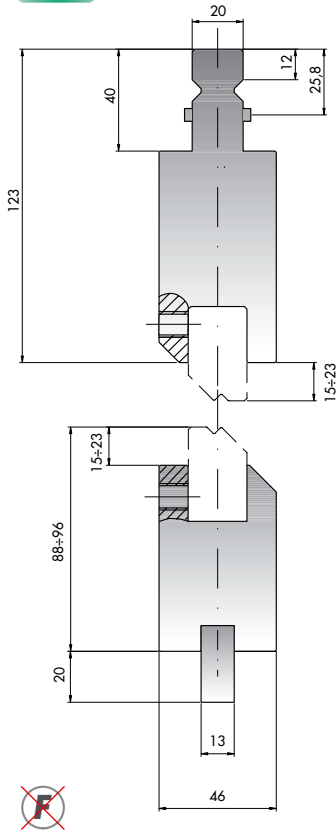
TOP.C



...../F

## TPZ C45

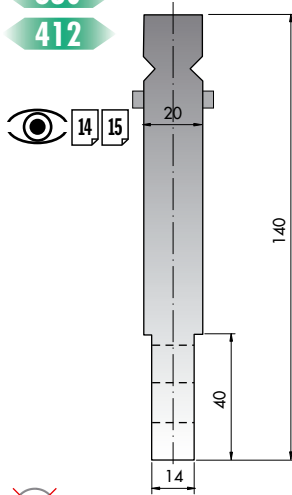
835  
415



|       | mm  | max t/m |
|-------|-----|---------|
| TPZ   | 835 | 100     |
| TPZ/C | 415 | 100     |

## TPR140-14 C45

830  
412



|             | mm  | max t/m |
|-------------|-----|---------|
| TPR140-14   | 830 | 80      |
| TPR140-14/C | 412 | 80      |

**NEW**

ROLI GROOVE TPR



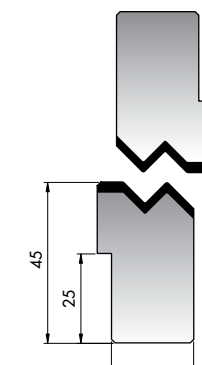
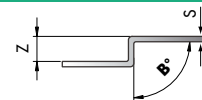
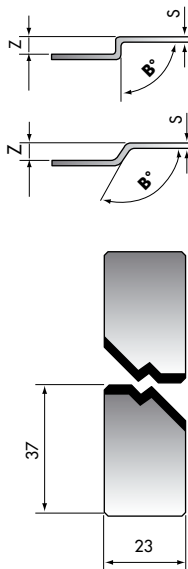
## CEZ-1 ÷ CEZ-12

C45

90° 140° 150° 160° 835 415

|         | Z mm | B°   | S* mm | max t/m |
|---------|------|------|-------|---------|
| CEZ-1   | 1    | 160° | 1,2   | 100     |
| CEZ-1.5 | 1,5  | 160° | 1,5   | 100     |
| CEZ-2   | 2    | 150° | 1,4   | 100     |
| CEZ-2.5 | 2,5  | 140° | 1,3   | 100     |
| CEZ-3   | 3    | 90°  | 1     | 100     |
| CEZ-3.5 | 3,5  | 90°  | 1     | 100     |
| CEZ-4   | 4    | 90°  | 1,2   | 100     |
| CEZ-4.5 | 4,5  | 90°  | 1,2   | 100     |
| CEZ-5   | 5    | 90°  | 1,3   | 100     |
| CEZ-5,5 | 5,5  | 90°  | 1,4   | 100     |
| CEZ-6   | 6    | 90°  | 1,5   | 100     |
| CEZ-6.5 | 6,5  | 90°  | 1,5   | 100     |
| CEZ-7   | 7    | 90°  | 1,5   | 100     |
| CEZ-7.5 | 7,5  | 90°  | 1,6   | 100     |
| CEZ-8   | 8    | 90°  | 1,6   | 100     |

\* Fe Rmax = 42 Kg/mm<sup>2</sup>



|        | Z mm | B°  | S* mm | max t/m |
|--------|------|-----|-------|---------|
| CEZ-9  | 9    | 90° | 1,8   | 100     |
| CEZ-10 | 10   | 90° | 1,8   | 100     |
| CEZ-11 | 11   | 90° | 2     | 100     |
| CEZ-12 | 12   | 90° | 2     | 100     |
| CEZ-13 | 13   | 90° | 2     | 100     |
| CEZ-14 | 14   | 90° | 2     | 100     |
| CEZ-15 | 15   | 90° | 2,3   | 100     |

\* Fe Rmax = 42 Kg/mm<sup>2</sup>



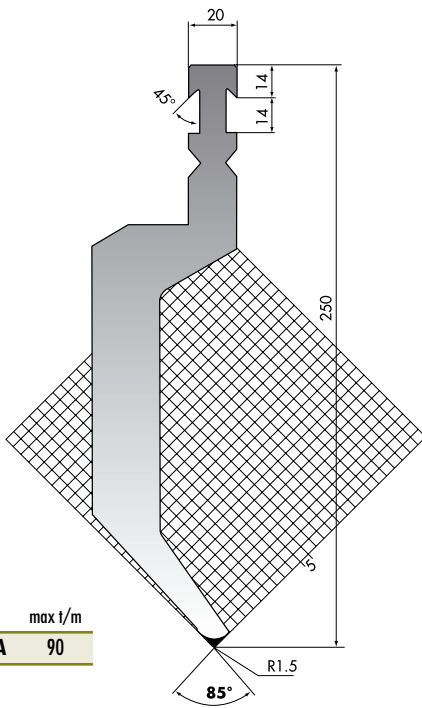
# BEYELER TYPE

Hrc 54-60 (1980->2200 N/mm<sup>2</sup>)

**BPR250-P4-RFA** **42Cr**

85°

508

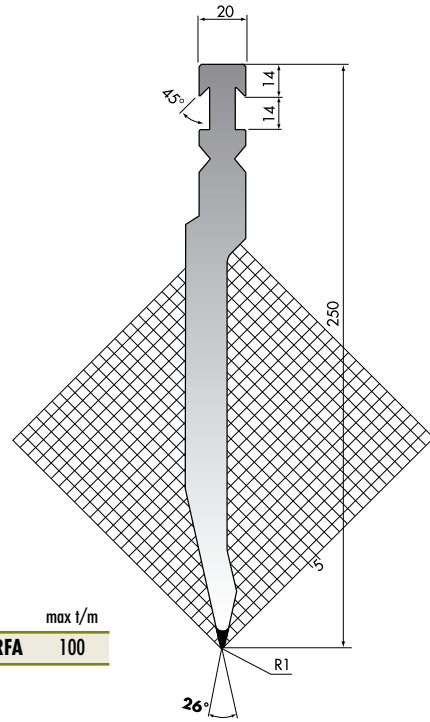


max t/m  
**BPR250-P4-RFA** 90

**BPR250-P5-RFA** **42Cr**

26°

508

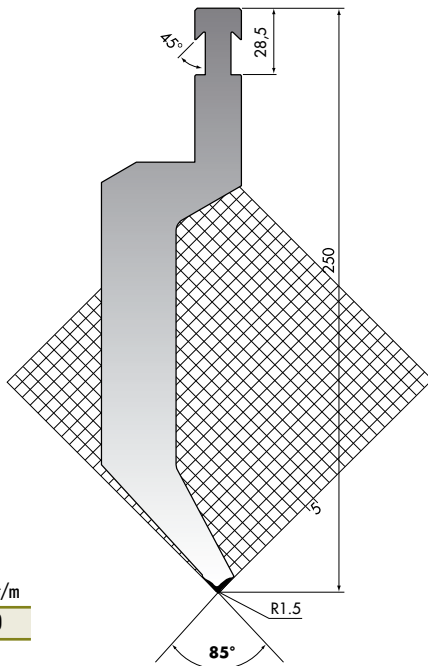


max t/m  
**BPR250-P5-RFA** 100

**BPR250-P4-RF** **42Cr**

85°

508

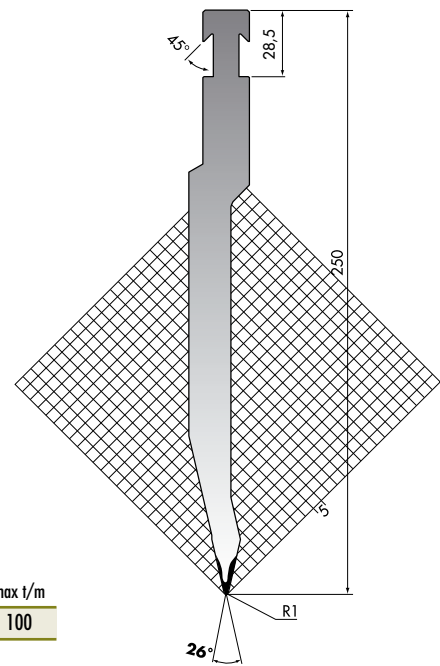


max t/m  
**BPR250-P4-RF** 90

**BPR250-P5-RF** **42Cr**

26°

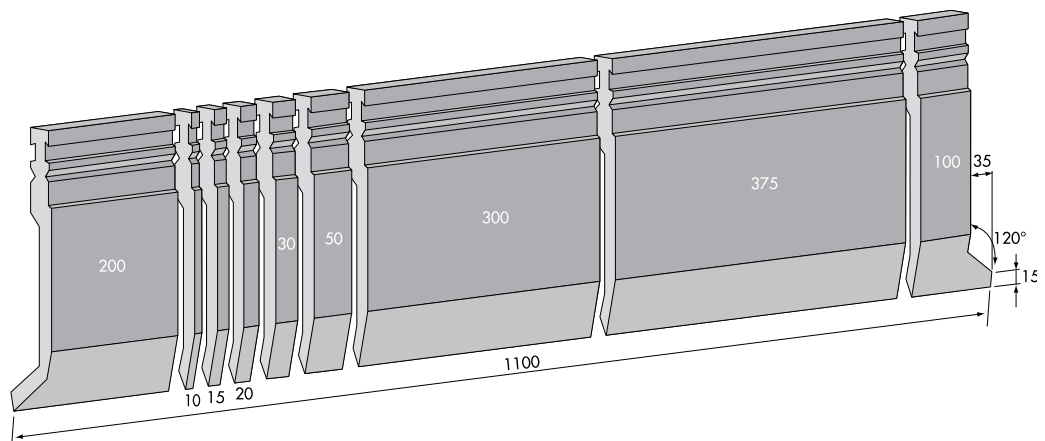
508



max t/m  
**BPR250-P5-RF** 100

## BPR

**BPR250...../F**

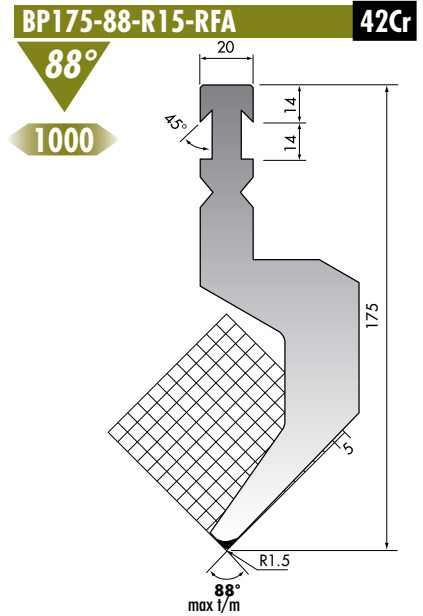
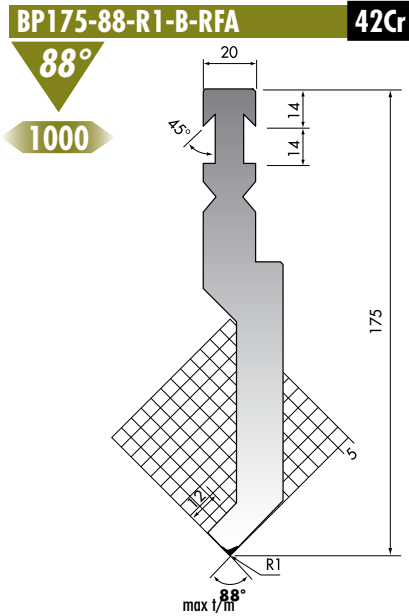
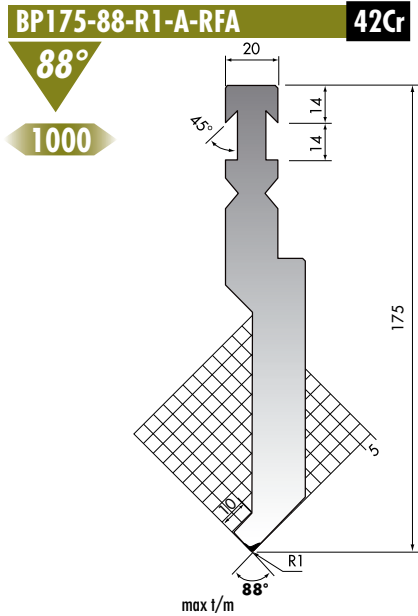


BEYELER TYPE

# BEYELER TYPE

HRc 54-60 (1980->2200 N/mm<sup>2</sup>)

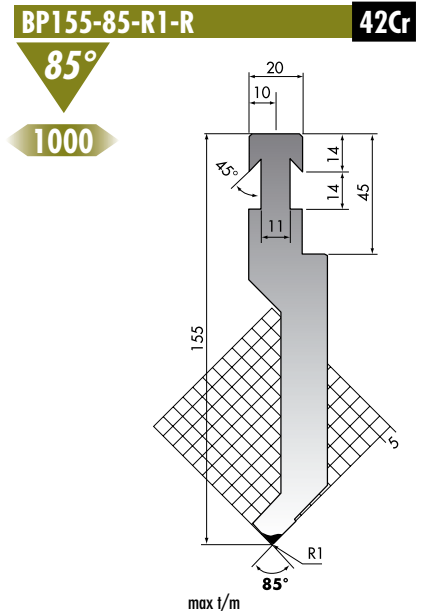
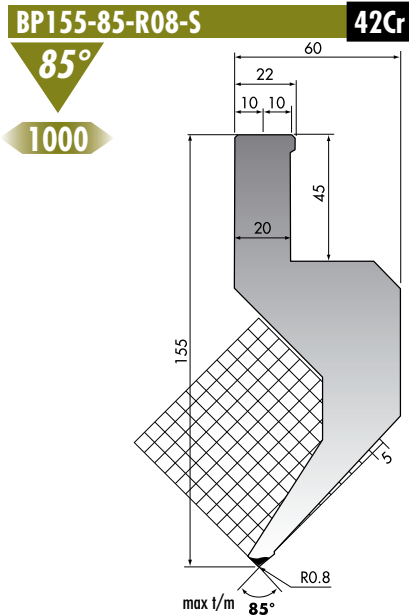
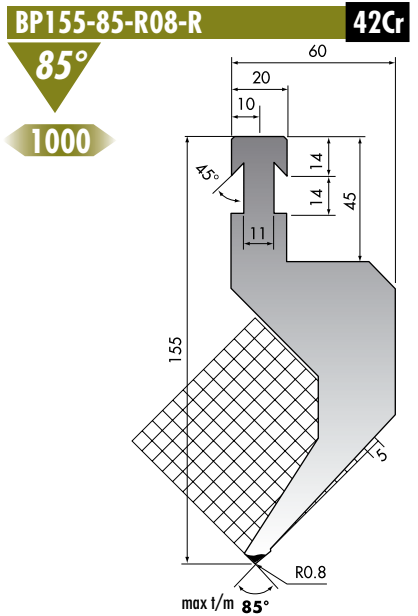
BEYELER TYPE



**BP175-88-R1-A-RFA** 100

**BP175-88-R1-B-RFA** 100

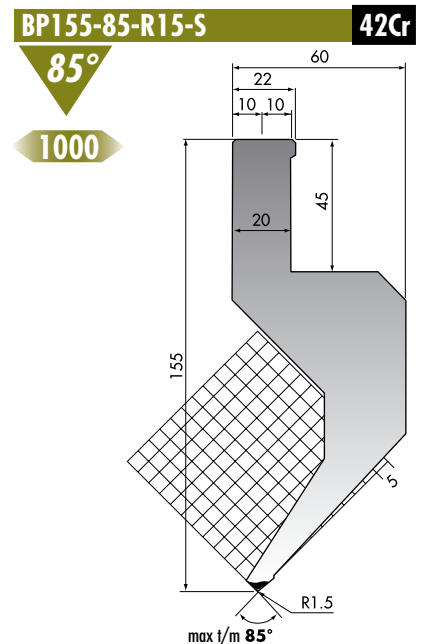
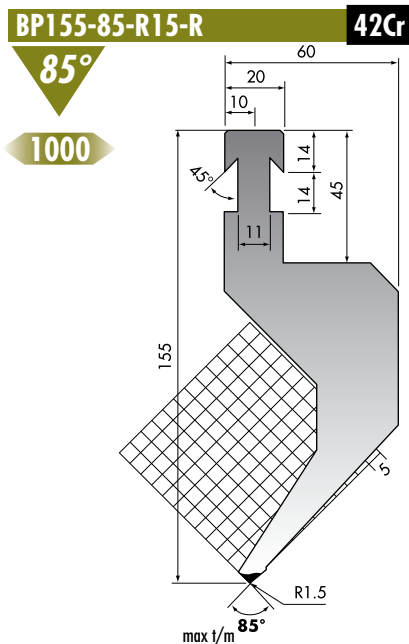
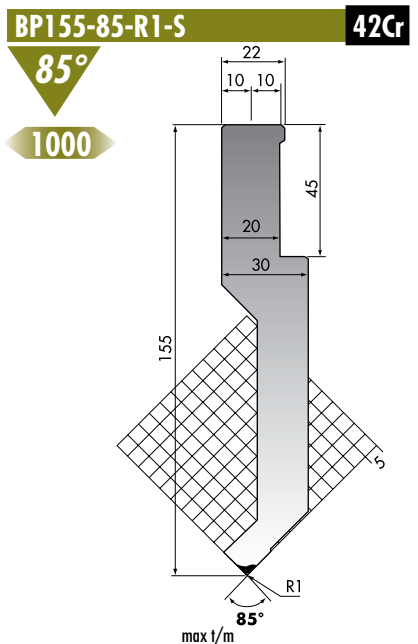
**BP175-88-R15-RFA** 50



**BP155-85-R08-R** 50

**BP155-85-R08-S** 50

**BP155-85-R1-R** 100



**BP155-85-R1-S** 100

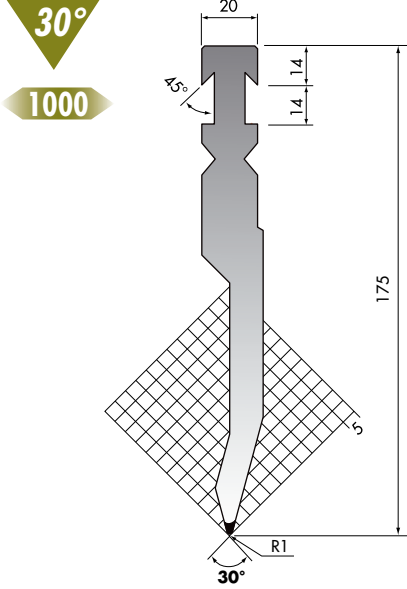
**BP155-85-R15-R** 50

**BP155-85-R15-S** 50

# BEYELER TYPE

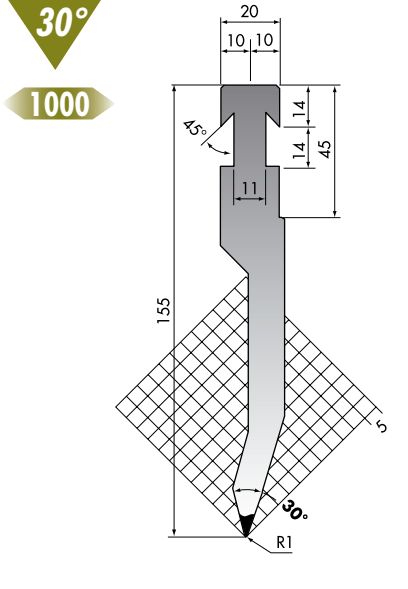
HRC 54-60 (1980->2200 N/mm<sup>2</sup>)

**BP175-30-R1-RFA** **42Cr**



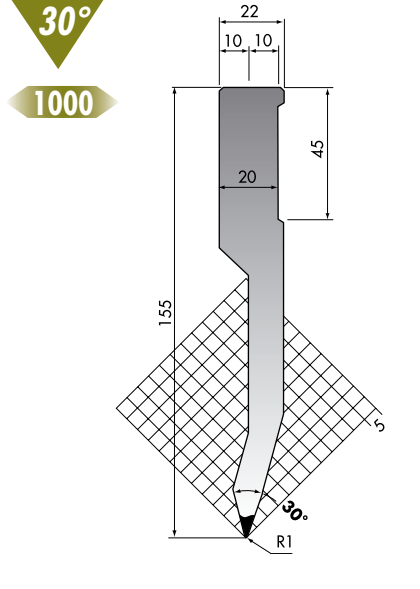
max t/m  
**BP175-30-R1-RFA** 80

**BP155-30-R1-R** **42Cr**



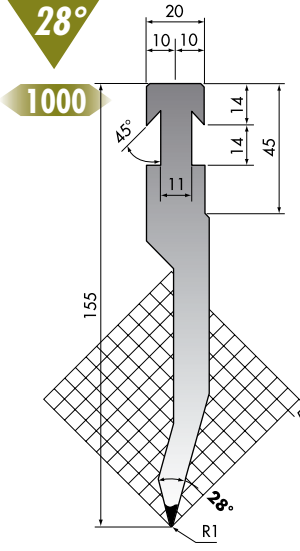
max t/m  
**BP155-30-R1-R** 80

**BP155-30-R1-S** **42Cr**



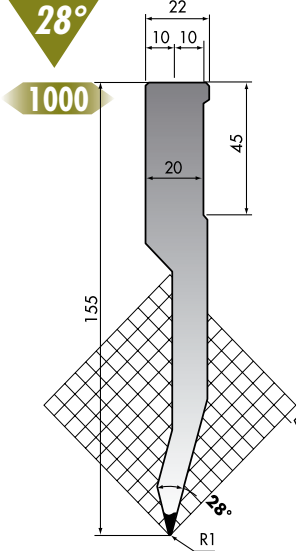
max t/m  
**BP155-30-R1-S** 80

**BP155-28-R1-R** **42Cr**



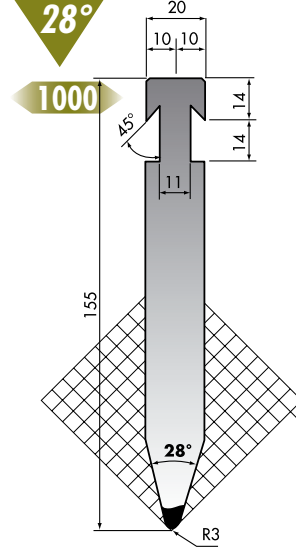
max t/m  
**BP155-28-R1-R** 80

**BP155-28-R1-S** **42Cr**



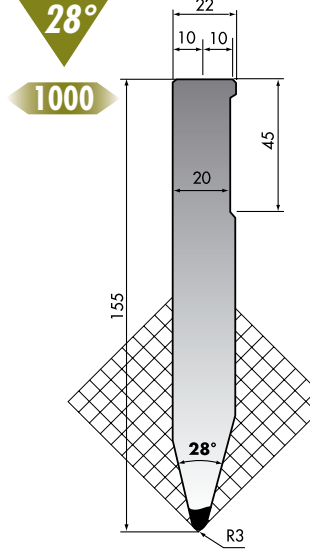
max t/m  
**BP155-28-R1-S** 80

**BP155-28-R3-R** **C45**



max t/m  
**BP155-28-R3-R** 100

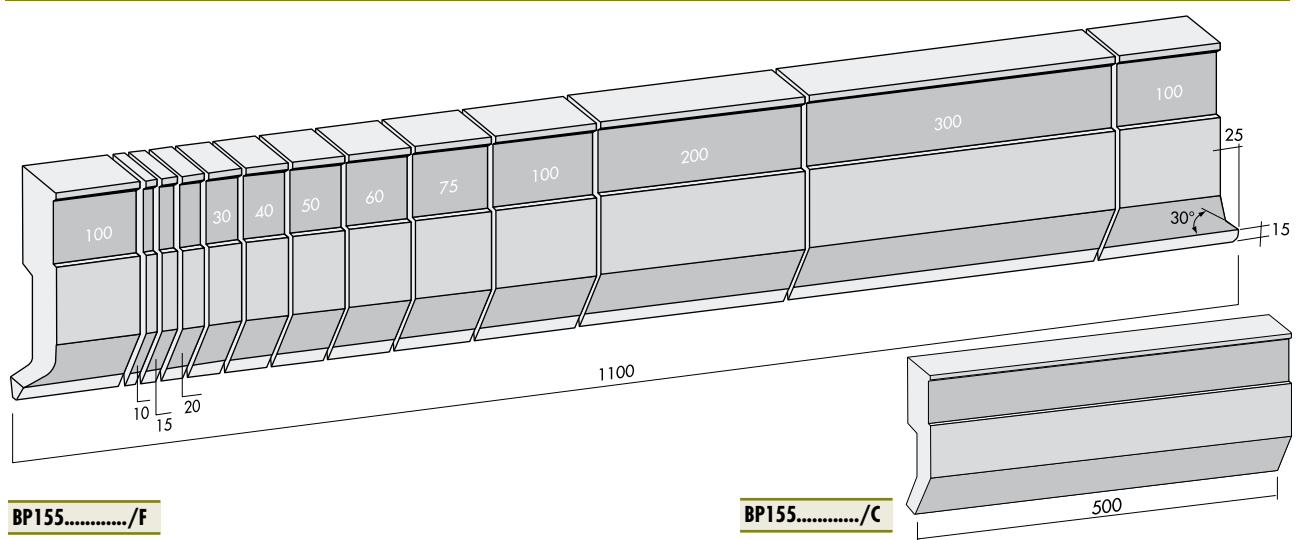
**BP155-28-R3-S** **C45**



max t/m  
**BP155-28-R3-S** 100

**BEYELER TYPE**

## BP



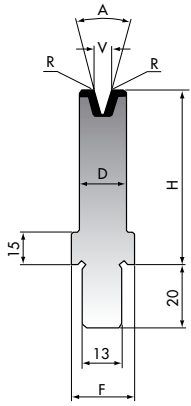
**C45** 560-710 N/mm<sup>2</sup>

**42Cr** 900-1150 N/mm<sup>2</sup>

**BMR55-06-90 ÷ BMR60-32-30** **42Cr**

90° 88° 85° 80° 60° 30°

1000



|                    | V mm | A° | R mm | D mm | H mm | F mm | max t/m |
|--------------------|------|----|------|------|------|------|---------|
| <b>BMR55-06-90</b> | 6    | 90 | 0,4  | 15   | 55   | 25   | 115     |
| <b>BMR55-08-90</b> | 8    | 90 | 0,5  | 15   | 55   | 25   | 110     |
| <b>BMR55-10-90</b> | 10   | 90 | 1    | 20   | 55   | 25   | 110     |
| <b>BMR55-12-90</b> | 12   | 90 | 1,5  | 20   | 55   | 25   | 120     |
| <b>BMR55-16-90</b> | 16   | 90 | 2    | 30   | 55   | 30   | 120     |

|                    | V mm | A° | R mm | D mm | H mm | F mm | max t/m |
|--------------------|------|----|------|------|------|------|---------|
| <b>BMR55-10-88</b> | 10   | 88 | 1    | 20   | 55   | 25   | 110     |
| <b>BMR55-12-88</b> | 12   | 88 | 1,5  | 20   | 55   | 25   | 120     |
| <b>BMR55-16-88</b> | 16   | 88 | 2    | 30   | 55   | 30   | 120     |
| <b>BMR55-20-88</b> | 20   | 88 | 2    | 30   | 55   | 30   | 110     |
| <b>BMR55-24-88</b> | 24   | 88 | 3    | 40   | 55   | 40   | 120     |

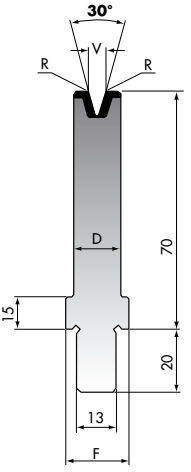
|                     | V mm | A° | R mm | D mm | H mm | F mm | max t/m |
|---------------------|------|----|------|------|------|------|---------|
| <b>BMR55-32-85</b>  | 32   | 85 | 4    | 50   | 55   | 50   | 120     |
| <b>BMR55-40-85</b>  | 40   | 85 | 4    | 55   | 55   | 55   | 120     |
| <b>BMR65-80-80</b>  | 80   | 80 | 10   | 100  | 65   | 100  | 170     |
| <b>BMR85-100-80</b> | 100  | 80 | 12   | 125  | 85   | 125  | 230     |
| <b>BMR55-40-60</b>  | 40   | 60 | 5    | 55   | 55   | 55   | 130     |
| <b>BMR55-50-60</b>  | 50   | 60 | 5    | 70   | 55   | 70   | 120     |
| <b>BMR65-60-60</b>  | 60   | 60 | 7    | 80   | 65   | 80   | 110     |

|                    | V mm | A° | R mm | D mm | H mm | F mm | max t/m 90° | max t/m 60° | max t/m 30° |
|--------------------|------|----|------|------|------|------|-------------|-------------|-------------|
| <b>BMR55-06-30</b> | 6    | 30 | 0,6  | 15   | 55   | 25   | 90          | 50          | 35          |
| <b>BMR55-08-30</b> | 8    | 30 | 0,8  | 15   | 55   | 25   | 70          | 40          | 20          |
| <b>BMR55-10-30</b> | 10   | 30 | 1    | 20   | 55   | 25   | 80          | 50          | 35          |
| <b>BMR55-12-30</b> | 12   | 30 | 1,5  | 20   | 55   | 25   | 70          | 45          | 30          |
| <b>BMR55-16-30</b> | 16   | 30 | 2    | 30   | 55   | 30   | 105         | 65          | 45          |
| <b>BMR55-20-30</b> | 20   | 30 | 2,5  | 35   | 55   | 35   | 105         | 70          | 50          |
| <b>BMR55-24-30</b> | 24   | 30 | 3    | 40   | 55   | 40   | 105         | 70          | 55          |
| <b>BMR60-32-30</b> | 32   | 30 | 4    | 60   | 60   | 60   | 150         | 80          | 65          |

**BMR70-08-30 ÷ BMR70-16-30** **42Cr**

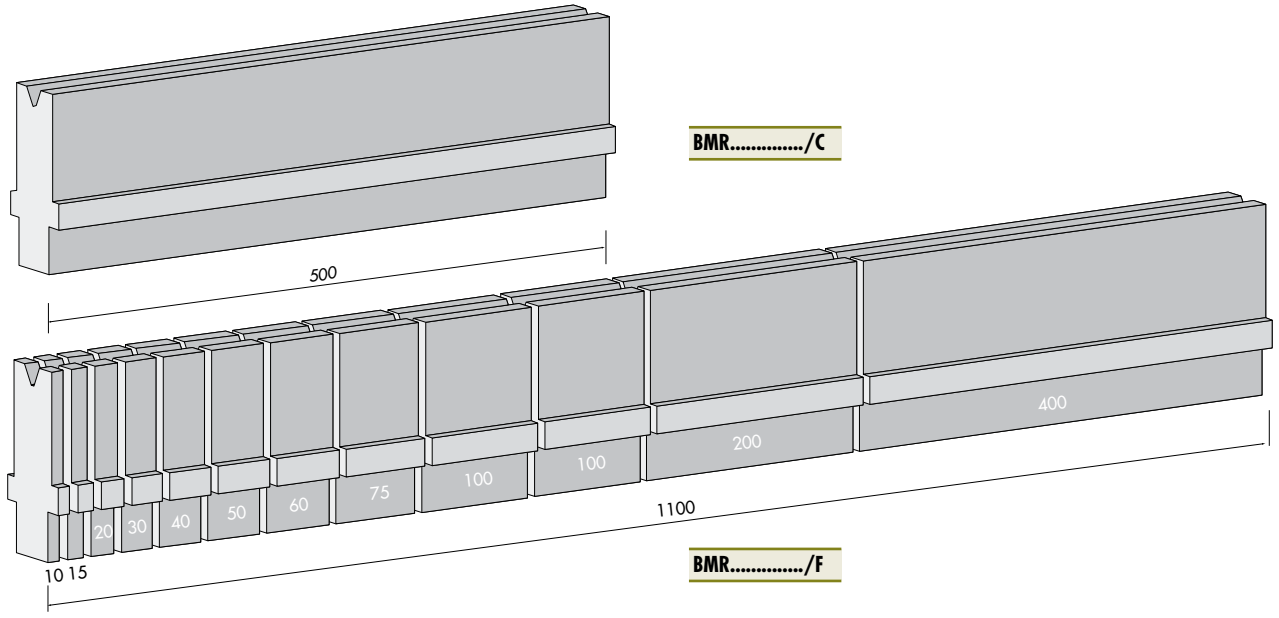
30°

1000



|                    | V mm | R mm | D mm | F mm | max t/m 90° | max t/m 60° | max t/m 30° |
|--------------------|------|------|------|------|-------------|-------------|-------------|
| <b>BMR70-08-30</b> | 8    | 0,75 | 20   | 25   | 70          | 40          | 20          |
| <b>BMR70-10-30</b> | 10   | 1    | 20   | 25   | 80          | 50          | 35          |
| <b>BMR70-12-30</b> | 12   | 1,5  | 25   | 25   | 70          | 45          | 30          |
| <b>BMR70-16-30</b> | 16   | 2    | 30   | 30   | 105         | 65          | 45          |

**BMR**



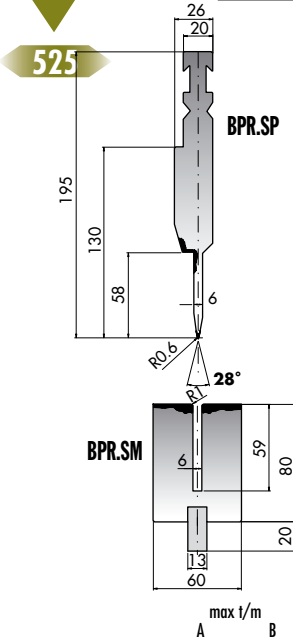
# BEYELER TYPE

Hrc 54-60 (1980->2200 N/mm<sup>2</sup>)

**BPR.S (BPR.SP+BPR.SM)**

**28°**

**42Cr**

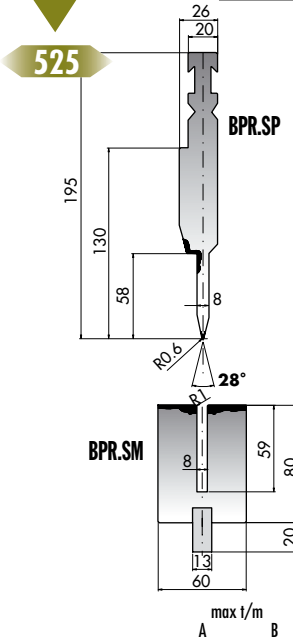


|                        |    |     |
|------------------------|----|-----|
| <b>BPR.S-195.28.6</b>  |    |     |
| <b>BPR.SP-195.28.6</b> | 50 | 100 |
| <b>BPR.SM-195.28.6</b> | 50 | 100 |

**BPR.S (BPR.SP+BPR.SM)**

**28°**

**42Cr**

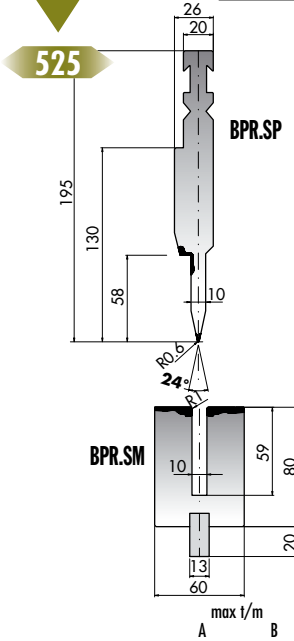


|                        |    |     |
|------------------------|----|-----|
| <b>BPR.S-195.28.8</b>  |    |     |
| <b>BPR.SP-195.28.8</b> | 80 | 100 |
| <b>BPR.SM-195.28.8</b> | 50 | 100 |

**BPR.S (BPR.SP+BPR.SM)**

**24°**

**42Cr**

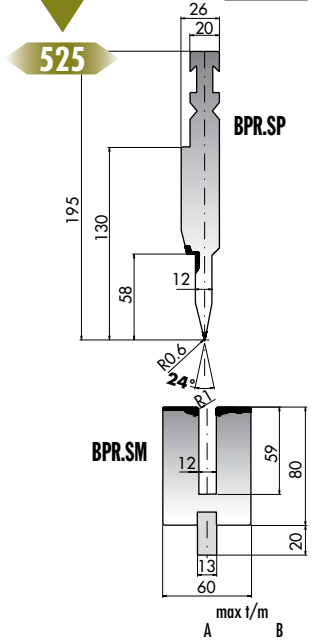


|                         |    |     |
|-------------------------|----|-----|
| <b>BPR.S-195.24.10</b>  |    |     |
| <b>BPR.SP-195.24.10</b> | 80 | 100 |
| <b>BPR.SM-195.24.10</b> | 50 | 100 |

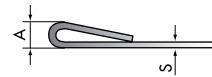
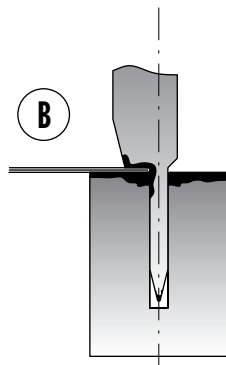
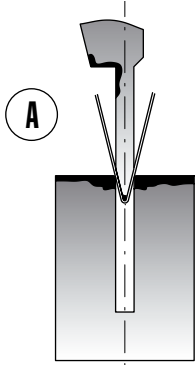
**BPR.S (BPR.SP+BPR.SM)**

**24°**

**42Cr**



|                         |    |     |
|-------------------------|----|-----|
| <b>BPR.S-195.24.12</b>  |    |     |
| <b>BPR.SP-195.24.12</b> | 80 | 100 |
| <b>BPR.SM-195.24.12</b> | 50 | 100 |



| S mm | A mm | R.45 Kgf/mm <sup>2</sup><br>t/m | R.70 Kgf/mm <sup>2</sup><br>t/m |
|------|------|---------------------------------|---------------------------------|
| 0,6  | 3,0  | 9                               | 15                              |
| 0,8  | 3,0  | 12                              | 20                              |
| 1,0  | 3,5  | 15                              | 25                              |
| 1,25 | 3,5  | 17                              | 26                              |
| 1,5  | 4,6  | 22                              | 38                              |
| 2,0  | 5,5  | 30                              | 50                              |

| S mm | A mm | R.45 Kgf/mm <sup>2</sup><br>t/m | R.70 Kgf/mm <sup>2</sup><br>t/m |
|------|------|---------------------------------|---------------------------------|
| 0,6  | 1,2  | 23                              | 35                              |
| 0,8  | 1,6  | 32                              | 50                              |
| 1,0  | 2,0  | 40                              | 60                              |
| 1,25 | 2,5  | 50                              | 80                              |
| 1,5  | 3,0  | 63                              | 95                              |
| 2,0  | 4,0  | 80                              | 130                             |

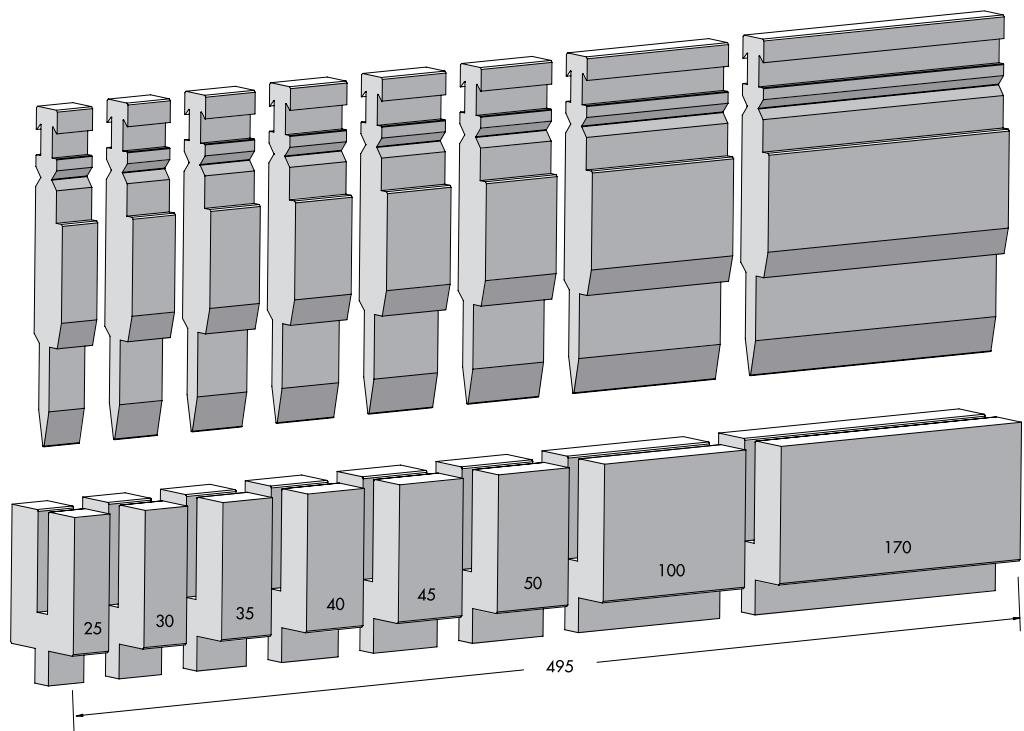
## BPR

**BPR.S-195.28.6/F**  
**BPR.SP-195.28.6/F**  
**BPR.SM-195.28.6/F**

**BPR.S-195.28.8/F**  
**BPR.SP-195.28.8/F**  
**BPR.SM-195.28.8/F**

**BPR.S-195.24.10/F**  
**BPR.SP-195.24.10/F**  
**BPR.SM-195.24.10/F**

**BPR.S-195.24.12/F**  
**BPR.SP-195.24.12/F**  
**BPR.SM-195.24.12/F**

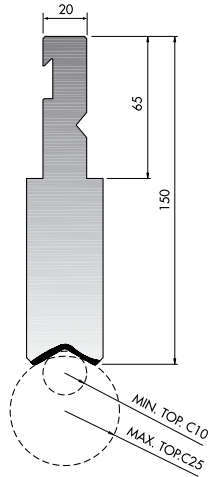


**BEYELER TYPE**

# BEYELER TYPE

HRc 54-60 (1980->2200 N/mm<sup>2</sup>)

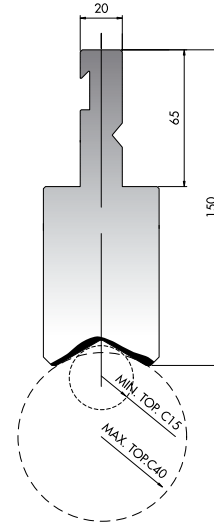
**BPR150-P10-10-RFA** **42Cr**  
522



max t/m

**BPR150-P10-10-RFA** 100

**BPR150-P10-15-RFA** **42Cr**  
522



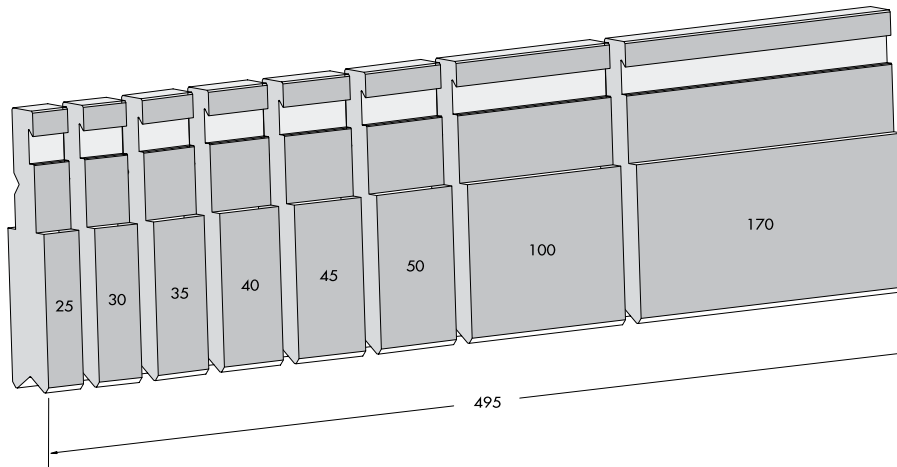
max t/m

**BPR150-P10-15-RFA** 100

BEYELER TYPE

## BPR

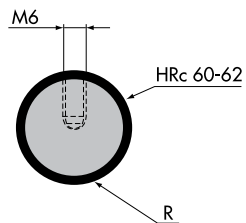
**BPR150-P10...../F**



## TOP.C10 ÷ TOP.C40

**C45**

525

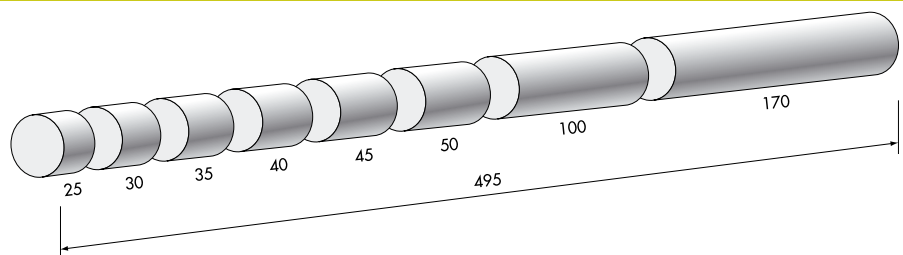


|                  | R mm | max t/m |
|------------------|------|---------|
| <b>TOP.C10</b>   | 10   | 100     |
| <b>TOP.C12.5</b> | 12,5 | 100     |
| <b>TOP.C15</b>   | 15   | 100     |
| <b>TOP.C17.5</b> | 17,5 | 100     |

|                | R mm | max t/m |
|----------------|------|---------|
| <b>TOP.C20</b> | 20   | 100     |
| <b>TOP.C25</b> | 25   | 100     |
| <b>TOP.C30</b> | 30   | 100     |
| <b>TOP.C35</b> | 35   | 100     |
| <b>TOP.C40</b> | 40   | 100     |

## TOP.C

**TOP.C...../F**

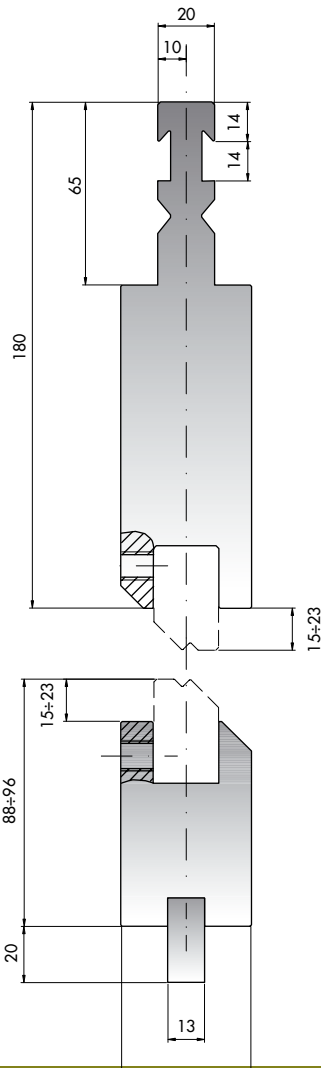


BPZ

C45

835

415



|       | mm  | max t/m |
|-------|-----|---------|
| BPZ   | 835 | 100     |
| BPZ/C | 415 | 100     |

BEYELER TYPE

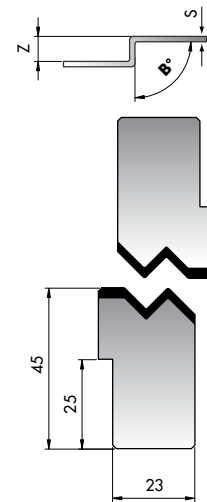
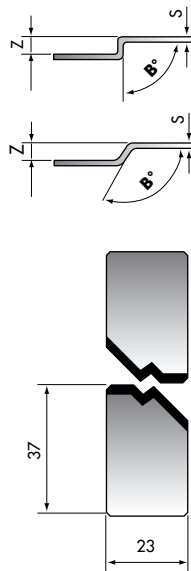
CEZ-1 ÷ CEZ-12

C45

90° 140° 150° 160°

835

415



|         | Z mm | B°   | S* mm | max t/m |
|---------|------|------|-------|---------|
| CEZ-1   | 1    | 160° | 1,2   | 100     |
| CEZ-1.5 | 1,5  | 160° | 1,5   | 100     |
| CEZ-2   | 2    | 150° | 1,4   | 100     |
| CEZ-2.5 | 2,5  | 140° | 1,3   | 100     |
| CEZ-3   | 3    | 90°  | 1     | 100     |
| CEZ-3.5 | 3,5  | 90°  | 1     | 100     |
| CEZ-4   | 4    | 90°  | 1,2   | 100     |
| CEZ-4.5 | 4,5  | 90°  | 1,2   | 100     |
| CEZ-5   | 5    | 90°  | 1,3   | 100     |
| CEZ-5,5 | 5,5  | 90°  | 1,4   | 100     |
| CEZ-6   | 6    | 90°  | 1,5   | 100     |
| CEZ-6.5 | 6,5  | 90°  | 1,5   | 100     |
| CEZ-7   | 7    | 90°  | 1,5   | 100     |
| CEZ-7.5 | 7,5  | 90°  | 1,6   | 100     |
| CEZ-8   | 8    | 90°  | 1,6   | 100     |

\* Fe Rmax = 42 Kg/mm<sup>2</sup>



|        | Z mm | B°  | S* mm | max t/m |
|--------|------|-----|-------|---------|
| CEZ-9  | 9    | 90° | 1,8   | 100     |
| CEZ-10 | 10   | 90° | 1,8   | 100     |
| CEZ-11 | 11   | 90° | 2     | 100     |
| CEZ-12 | 12   | 90° | 2     | 100     |
| CEZ-13 | 13   | 90° | 2     | 100     |
| CEZ-14 | 14   | 90° | 2     | 100     |
| CEZ-15 | 15   | 90° | 2,3   | 100     |

\* Fe Rmax = 42 Kg/mm<sup>2</sup>

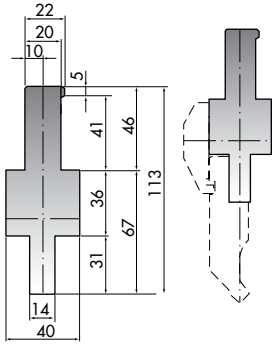
# BEYELER TYPE

HRc 54-60 (1980->2200 N/mm<sup>2</sup>)

## AD3 (BEYELER S/PROMECAm)

150

C45

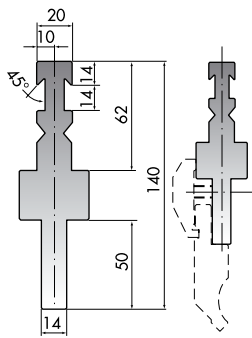


|     | max t/m |
|-----|---------|
| AD3 | 100     |

## AD10 (BEYELER RF-A/PROMECAm)

150

C45



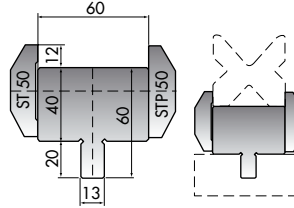
|      | max t/m |
|------|---------|
| AD10 | 100     |

## AD7 (TRUMPF-BEYELER/PROMECAm)

835

415

C45



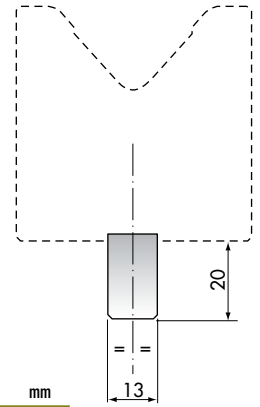
|       | mm  |
|-------|-----|
| AD7   | 835 |
| AD7/C | 415 |

## A30 (TRUMPF-BEYELER/PROMECAm)

835

415

805



|       | mm  |
|-------|-----|
| A30   | 835 |
| A30/C | 415 |
| A30/F | 805 |

~~L10~~ ~~L15~~ +L25

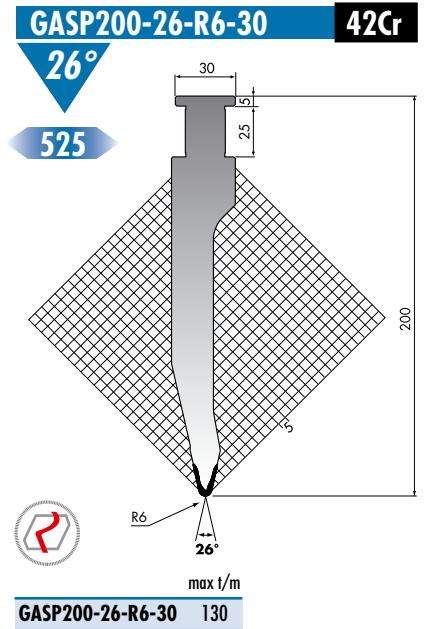
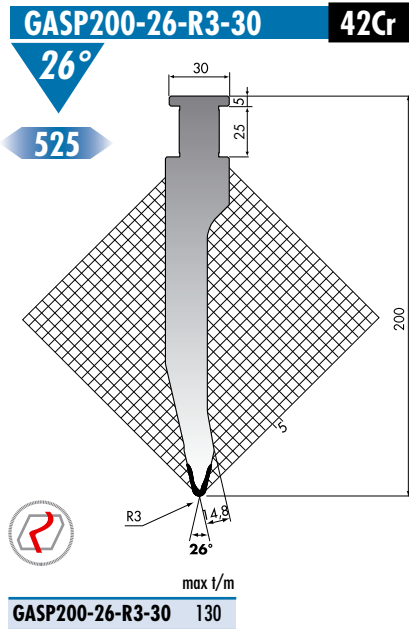
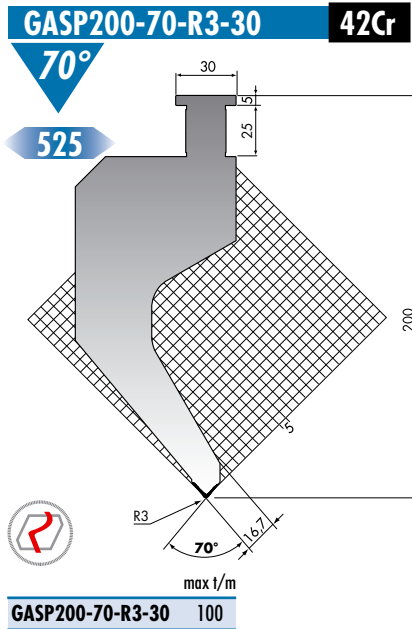
BEYELER TYPE



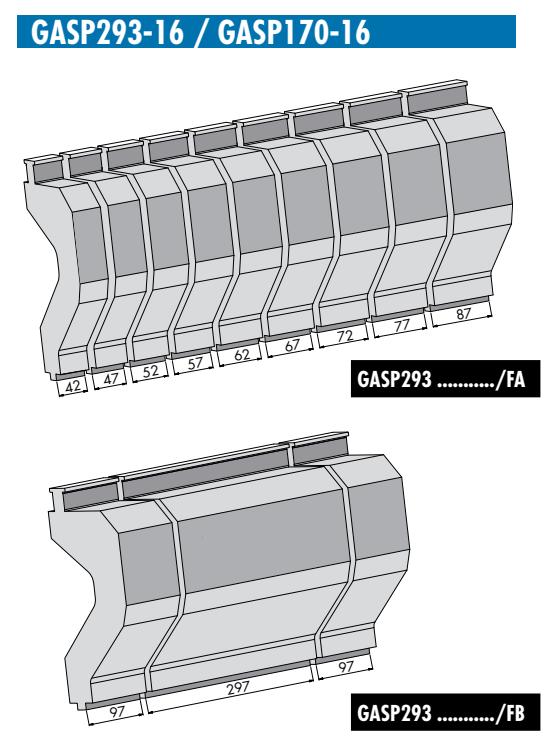
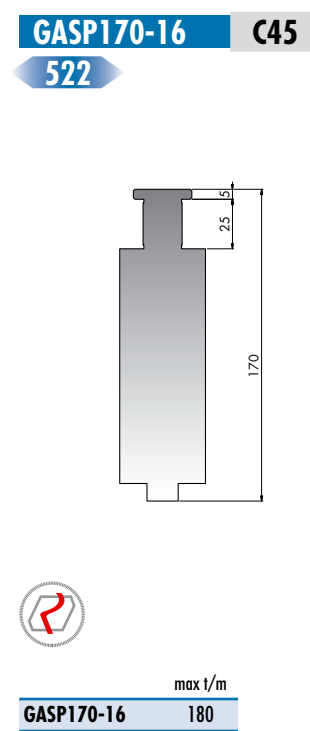
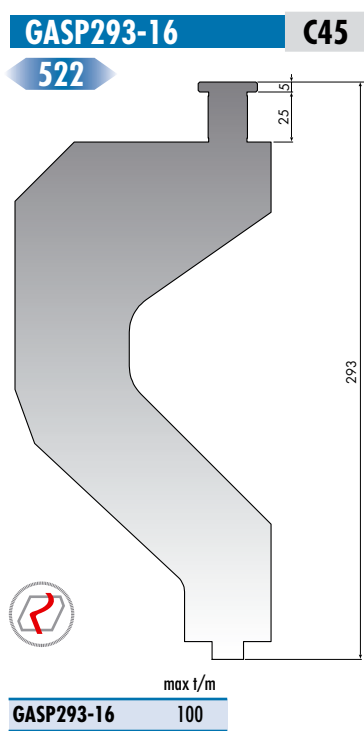
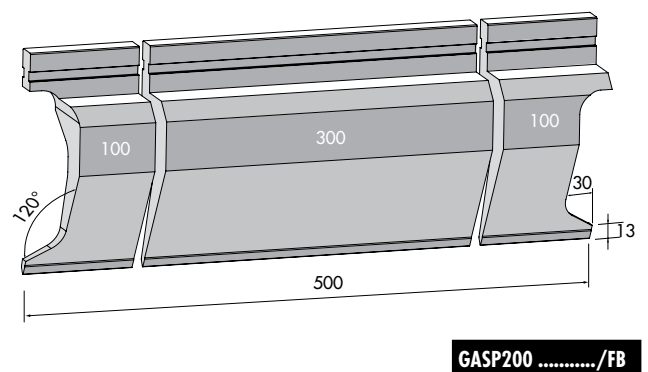
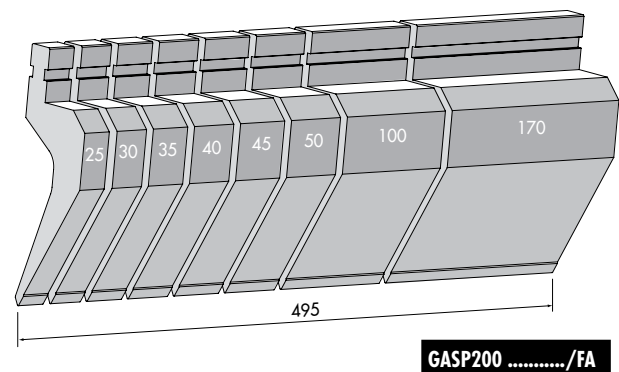


# GASPARINI TYPE

✓ Hrc 54-60 (1980->2200 N/mm<sup>2</sup>)



## GASP200



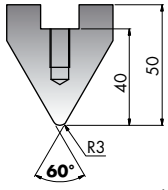
GASPARINI TYPE

# GASPARINI TYPE

HRc 54-60 (1980->2200 N/mm<sup>2</sup>)

**GASP40-60-03** C45

525

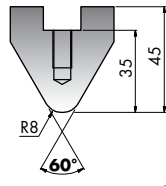


max t/m

**GASP40-60-03** 100

**GASP35-60-08** C45

525

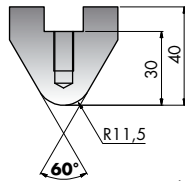


max t/m

**GASP35-60-08** 100

**GASP30-60-11,5** C45

525

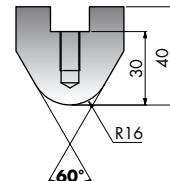


max t/m

**GASP30-60-11,5** 100

**GASP30-60-16** C45

525

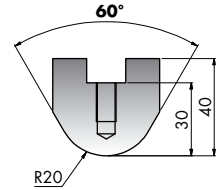


max t/m

**GASP30-60-16** 100

**GASP30-60-20** C45

525

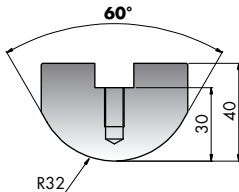


max t/m

**GASP30-60-20** 100

**GASP30-60-32** C45

525

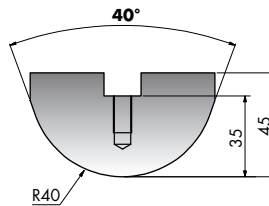


max t/m

**GASP30-60-32** 100

**GASP35-40-40** C45

525

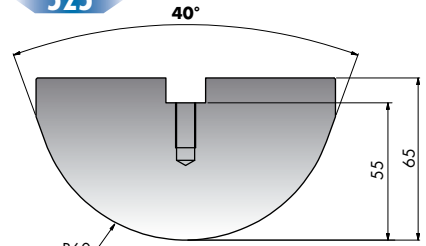


max t/m

**GASP35-40-40** 150

**GASP35-40-60** C45

525

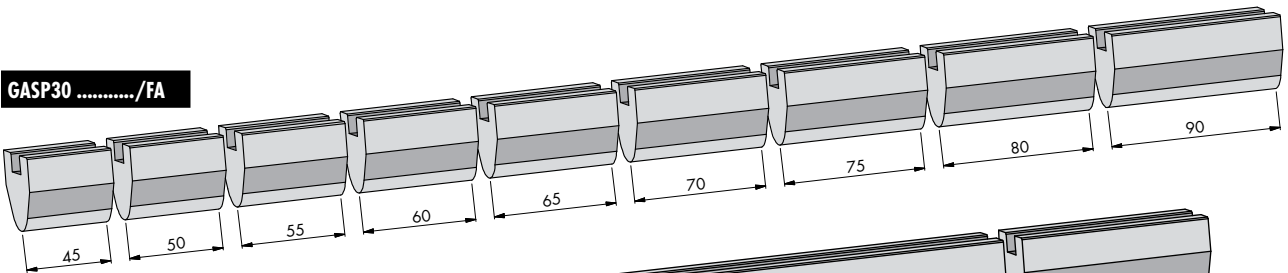


max t/m

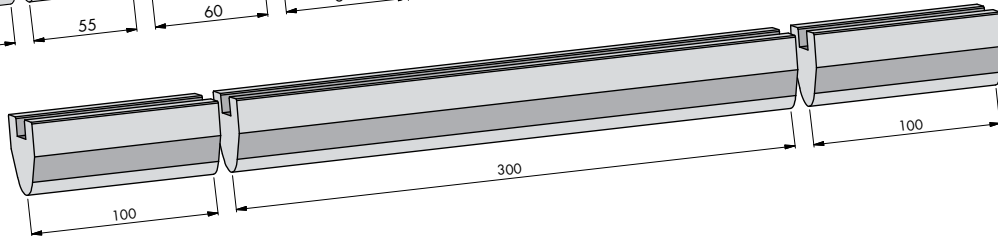
**GASP35-40-60** 180

## GASP30

GASP30 ...../FA

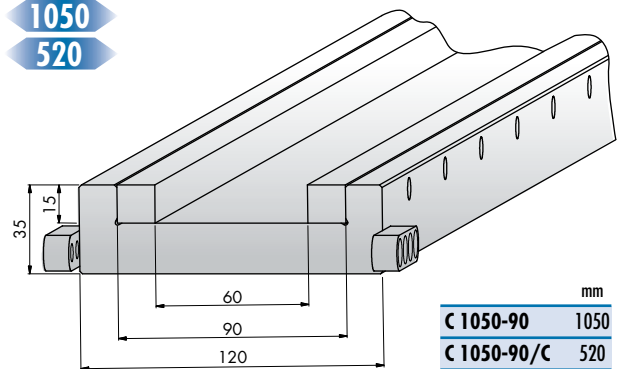


GASP30 ...../FB



**C 1050-90** C45

1050  
520

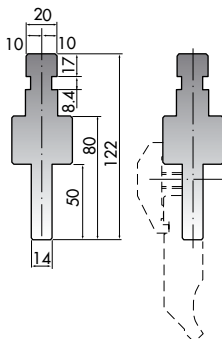


mm

**C 1050-90** 1050  
**C 1050-90/C** 520

**AD14 (GASPARINI/PROMECAM-AMADA)** C45

150

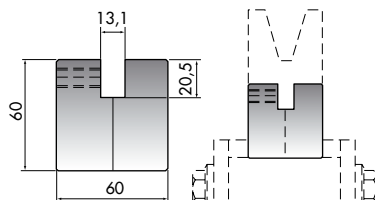


max t/m

**AD14** 100

**AD5 (PROMECAM-AMADA/TRUMPF-BEYELER)** C45

1000  
500

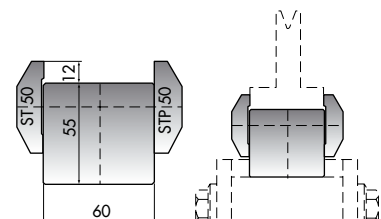


mm

**AD5** 1000  
**AD5/C** 500

**CTS60 (PROMECAM-AMADA)** C45

835  
415



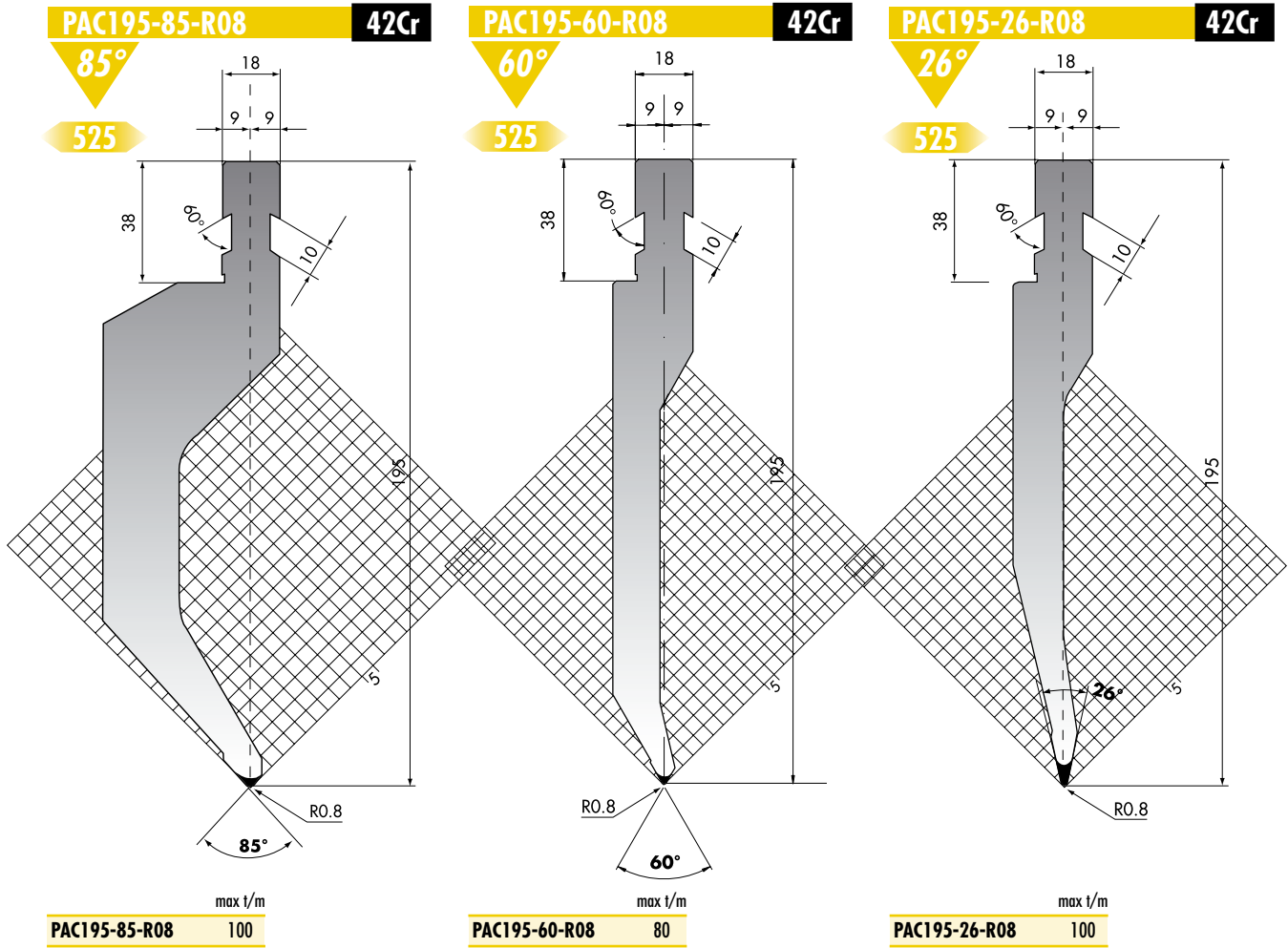
mm

**CTS60** 835  
**CTS60/C** 415

GASPARINI TYPE

# COLGAR TYPE

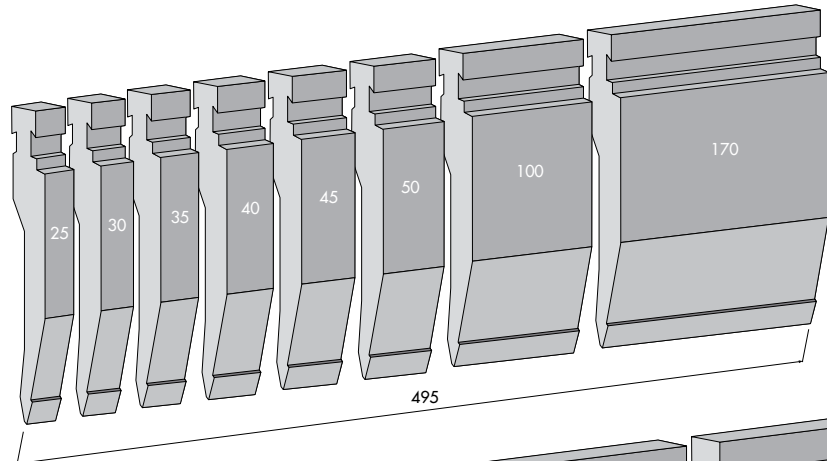
HRC 54-60 (1980->2200 N/mm<sup>2</sup>)



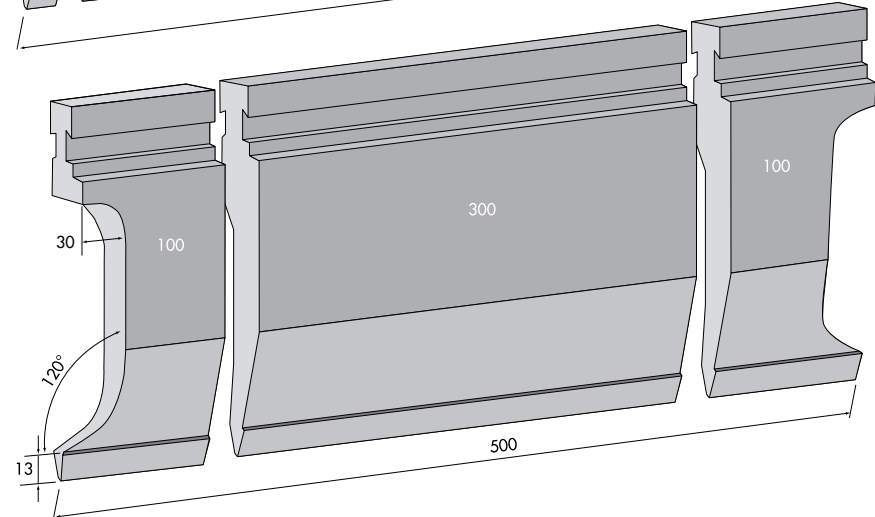
**COLGAR TYPE**

## PAC

PAC195...../FA



PAC195...../FB

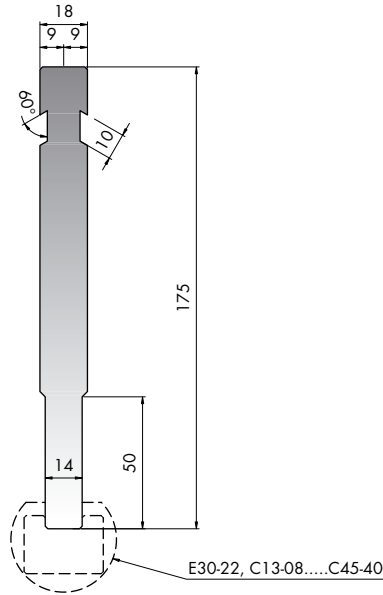


# COLGAR TYPE

HRc 54-60 (1980->2200 N/mm<sup>2</sup>)

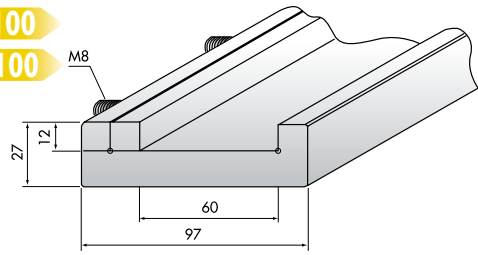
## PAC175-14 C45

830  
19



## C2000/S C2500/S C3000/S C4000/S C45

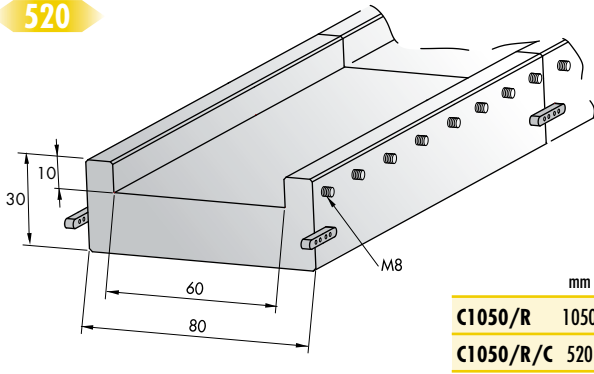
2100  
2600  
3100  
4100



|         | mm   |
|---------|------|
| C2000/S | 2100 |
| C2500/S | 2600 |
| C3000/S | 3100 |
| C4000/S | 4100 |

## C1050/R C45

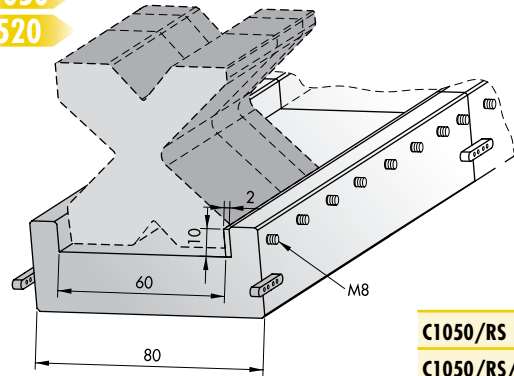
1050  
520



|           | mm   |
|-----------|------|
| C1050/R   | 1050 |
| C1050/R/C | 520  |

## C1050/RS C45

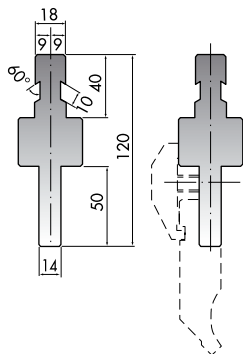
1050  
520



|                | mm   |
|----------------|------|
| C1050/RS       | 1050 |
| C1050/RS/C 520 |      |

## AD12 (COLGAR/PROMECAM-AMADA) C45

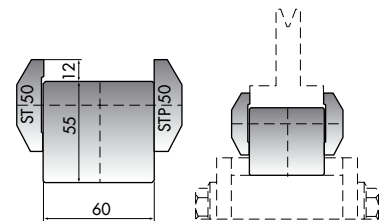
150



|      | max t/m |
|------|---------|
| AD12 | 100     |

## CTS60 (PROMECAM-AMADA) C45

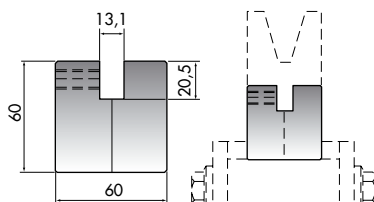
835  
415



|         | mm  |
|---------|-----|
| CTS60   | 835 |
| CTS60/C | 415 |

## AD5 (PROMECAM-AMADA/TRUMPF-BEYELER) C45

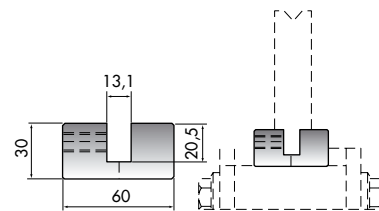
1000  
500



|       | mm   |
|-------|------|
| AD5   | 1000 |
| AD5/C | 500  |

## AD6 (PROMECAM-AMADA/TRUMPF-BEYELER) C45

1000  
500



|       | mm   |
|-------|------|
| AD6   | 1000 |
| AD6/C | 500  |

COLGAR TYPE

# LVD TYPE

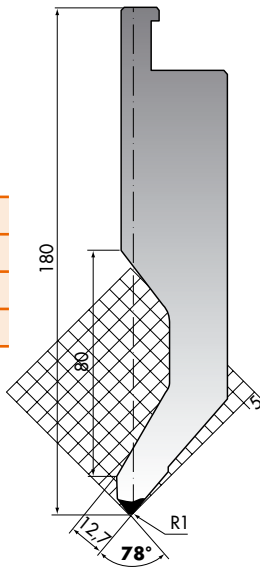
Hrc 54-60 (1980->2200 N/mm<sup>2</sup>)

LPA180-78-R1-A-LPD180-78-R1-A 42Cr

78°

508

- LPA180-78-R1-A
- LPB180-78-R1-A
- LPC180-78-R1-A
- LPD180-78-R1-A

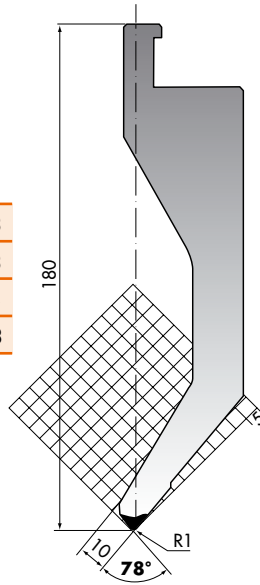


LPA180-78-R1-B-LPD180-78-R1-B 42Cr

78°

508

- LPA180-78-R1-B
- LPB180-78-R1-B
- LPC180-78-R1-B
- LPD180-78-R1-B

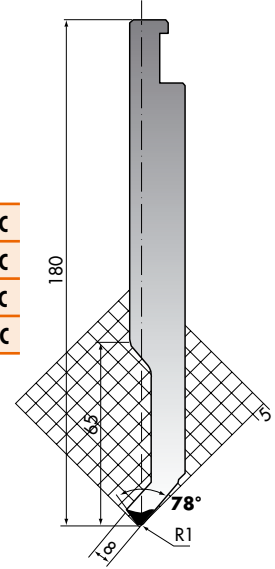


LPA180-78-R1-C-LPD180-78-R1-C 42Cr

78°

508

- LPA180-78-R1-C
- LPB180-78-R1-C
- LPC180-78-R1-C
- LPD180-78-R1-C

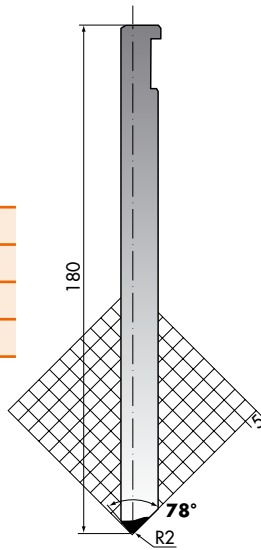


LPA180-78-R2 ÷ LPD180-78-R2 42Cr

78°

508

- LPA180-78-R2
- LPB180-78-R2
- LPC180-78-R2
- LPD180-78-R2

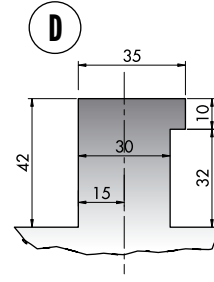
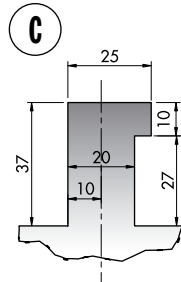
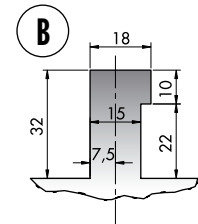
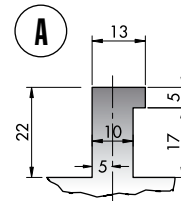
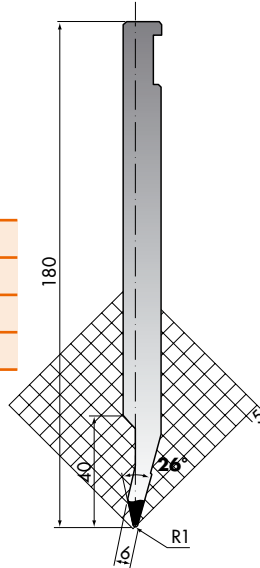


LPA180-26-R1 ÷ LPD180-26-R1 42Cr

26°

508

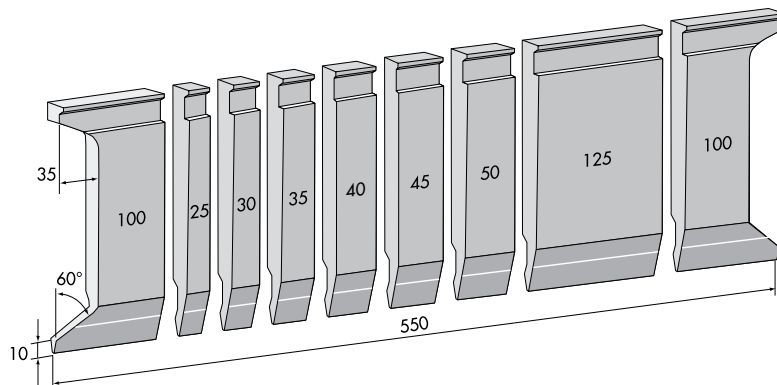
- LPA180-26-R1
- LPB180-26-R1
- LPC180-26-R1
- LPD180-26-R1



LVD TYPE

LP

LP...../F



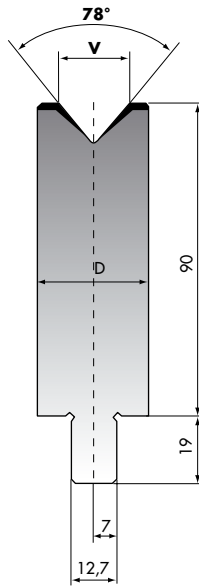
# LVD TYPE

HRc 54-60 (1980->2200 N/mm<sup>2</sup>)

## LM90-06-78 ÷ LM90-80-78 42Cr

78°

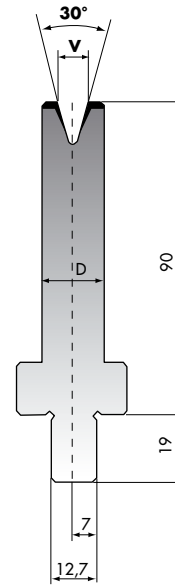
508



## LM90-06-30 ÷ LM90-24-30 42Cr

30°

508



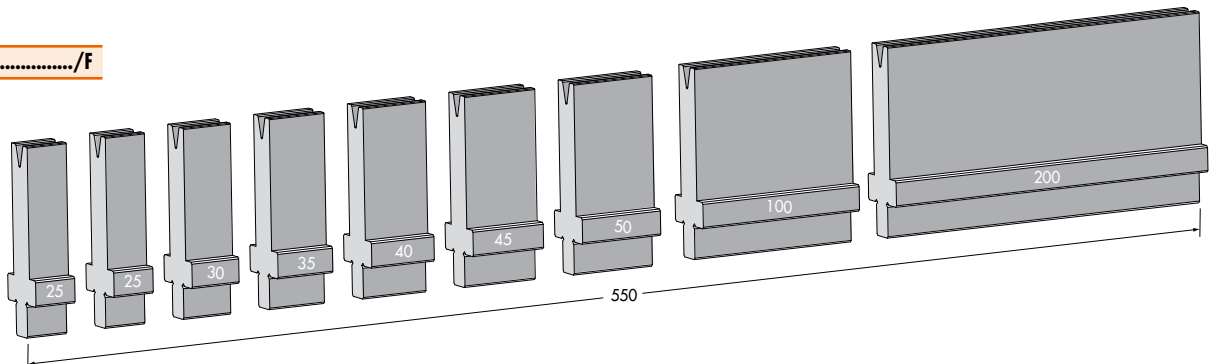
|            | V mm | D mm | max t/m |
|------------|------|------|---------|
| LM90-06-78 | 6    | 12   | 40      |
| LM90-08-78 | 8    | 12   | 40      |
| LM90-10-78 | 10   | 14   | 50      |
| LM90-12-78 | 12   | 18   | 60      |
| LM90-16-78 | 16   | 25   | 80      |
| LM90-20-78 | 20   | 32   | 100     |
| LM90-24-78 | 24   | 32   | 100     |
| LM90-30-78 | 30   | 40   | 110     |
| LM90-40-78 | 40   | 50   | 130     |
| LM90-50-78 | 50   | 60   | 150     |
| LM90-60-78 | 60   | 70   | 150     |
| LM90-80-78 | 80   | 90   | 150     |

|            | V mm | D mm | max t/m |
|------------|------|------|---------|
| LM90-06-30 | 6    | 16   | 20      |
| LM90-08-30 | 8    | 18   | 22      |
| LM90-10-30 | 10   | 25   | 30      |
| LM90-12-30 | 12   | 32   | 38      |
| LM90-16-30 | 16   | 32   | 38      |
| LM90-20-30 | 20   | 40   | 38      |
| LM90-24-30 | 24   | 50   | 55      |

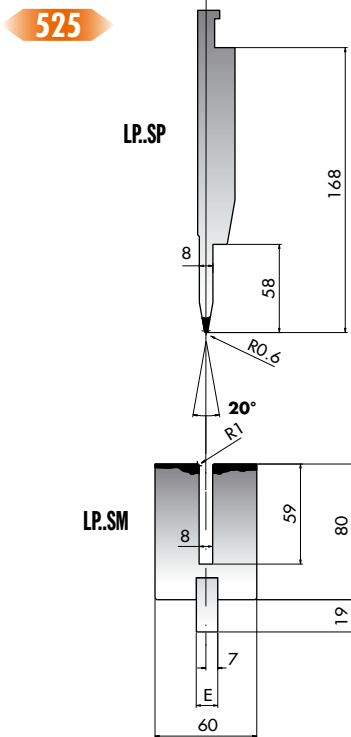
LVD TYPE

## LM

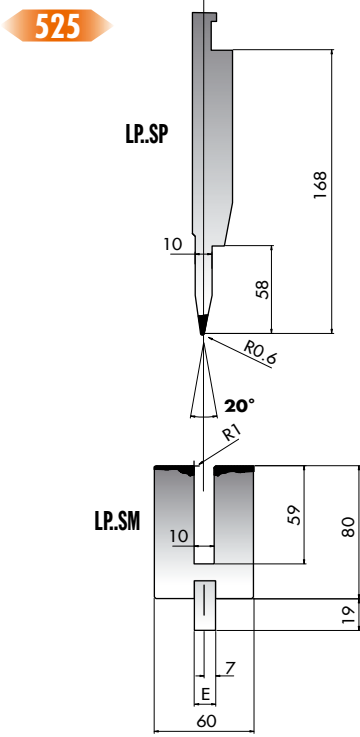
LM...../F



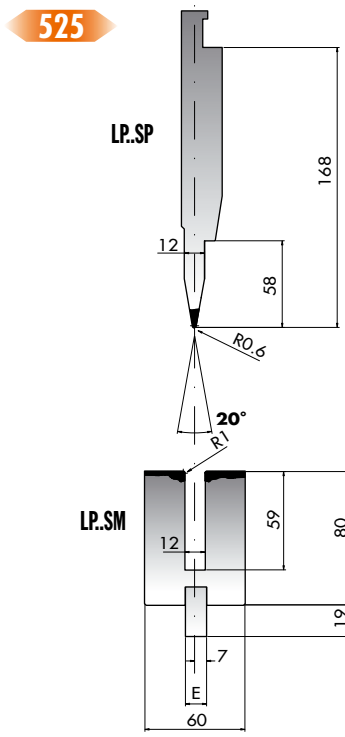
**LP..S (LP..SP+LP..SM) 42Cr**  
**20°**



**LP..S (LP..SP+LP..SM) 42Cr**  
**20°**



**LP..S (LP..SP+LP..SM) 42Cr**  
**20°**



|                      |   | E mm | A   | max t/m | B |
|----------------------|---|------|-----|---------|---|
| LPA.S-190.20.8-12    | A | 12   |     |         |   |
| LPA.SP-190.20.8      | A | 80   | 100 |         |   |
| LPA.SM-190.20.8-12   | A | 12   | 50  | 100     |   |
| LPB.S-190.20.8-12    | B | 12   |     |         |   |
| LPB.SP-190.20.8      | B | 80   | 100 |         |   |
| LPB.SM-190.20.8-12   | B | 12   | 50  | 100     |   |
| LPC.S-190.20.8-12    | C | 12   |     |         |   |
| LPC.SP-190.20.8      | C | 80   | 100 |         |   |
| LPC.SM-190.20.8-12   | C | 12   | 50  | 100     |   |
| LPD.S-190.20.8-12    | D | 12   |     |         |   |
| LPD.SP-190.20.8      | D | 80   | 100 |         |   |
| LPD.SM-190.20.8-12   | D | 12   | 50  | 100     |   |
| LPA.S-190.20.8-12.7  | A | 12,7 |     |         |   |
| LPA.SP-190.20.8      | A | 80   | 100 |         |   |
| LPA.SM-190.20.8-12.7 | A | 12,7 | 50  | 100     |   |
| LPB.S-190.20.8-12.7  | B | 12,7 |     |         |   |
| LPB.SP-190.20.8      | B | 80   | 100 |         |   |
| LPB.SM-190.20.8-12.7 | B | 12,7 | 50  | 100     |   |
| LPC.S-190.20.8-12.7  | C | 12,7 |     |         |   |
| LPC.SP-190.20.8      | C | 80   | 100 |         |   |
| LPC.SM-190.20.8-12.7 | C | 12,7 | 50  | 100     |   |
| LPD.S-190.20.8-12.7  | D | 12,7 |     |         |   |
| LPD.SP-190.20.8      | D | 80   | 100 |         |   |
| LPD.SM-190.20.8-12.7 | D | 12,7 | 50  | 100     |   |



|                       |   | E mm | A   | max t/m | B |
|-----------------------|---|------|-----|---------|---|
| LPA.S-190.20.10-12    | A | 12   |     |         |   |
| LPA.SP-190.20.10      | A | 80   | 100 |         |   |
| LPA.SM-190.20.10-12   | A | 12   | 50  | 100     |   |
| LPB.S-190.20.10-12    | B | 12   |     |         |   |
| LPB.SP-190.20.10      | B | 80   | 100 |         |   |
| LPB.SM-190.20.10-12   | B | 12   | 50  | 100     |   |
| LPC.S-190.20.10-12    | C | 12   |     |         |   |
| LPC.SP-190.20.10      | C | 80   | 100 |         |   |
| LPC.SM-190.20.10-12   | C | 12   | 50  | 100     |   |
| LPD.S-190.20.10-12    | D | 12   |     |         |   |
| LPD.SP-190.20.10      | D | 80   | 100 |         |   |
| LPD.SM-190.20.10-12   | D | 12   | 50  | 100     |   |
| LPA.S-190.20.10-12.7  | A | 12,7 |     |         |   |
| LPA.SP-190.20.10      | A | 80   | 100 |         |   |
| LPA.SM-190.20.10-12.7 | A | 12,7 | 50  | 100     |   |
| LPB.S-190.20.10-12.7  | B | 12,7 |     |         |   |
| LPB.SP-190.20.10      | B | 80   | 100 |         |   |
| LPB.SM-190.20.10-12.7 | B | 12,7 | 50  | 100     |   |
| LPC.S-190.20.10-12.7  | C | 12,7 |     |         |   |
| LPC.SP-190.20.10      | C | 80   | 100 |         |   |
| LPC.SM-190.20.10-12.7 | C | 12,7 | 50  | 100     |   |
| LPD.S-190.20.10-12.7  | D | 12,7 |     |         |   |
| LPD.SP-190.20.10      | D | 80   | 100 |         |   |
| LPD.SM-190.20.10-12.7 | D | 12,7 | 50  | 100     |   |

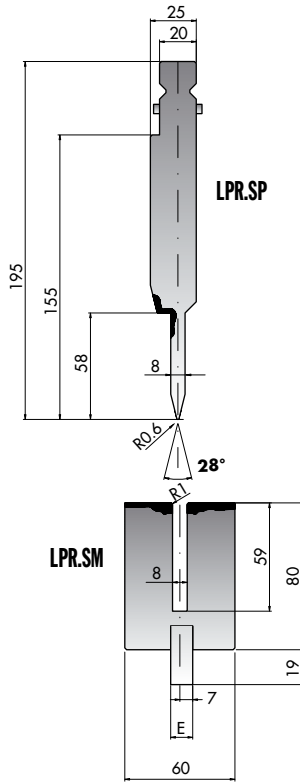


|                       |   | E mm | A   | max t/m | B |
|-----------------------|---|------|-----|---------|---|
| LPA.S-190.20.12-12    | A | 12   |     |         |   |
| LPA.SP-190.20.12      | A | 80   | 100 |         |   |
| LPA.SM-190.20.12-12   | A | 12   | 50  | 100     |   |
| LPB.S-190.20.12-12    | B | 12   |     |         |   |
| LPB.SP-190.20.12      | B | 80   | 100 |         |   |
| LPB.SM-190.20.12-12   | B | 12   | 50  | 100     |   |
| LPC.S-190.20.12-12    | C | 12   |     |         |   |
| LPC.SP-190.20.12      | C | 80   | 100 |         |   |
| LPC.SM-190.20.12-12   | C | 12   | 50  | 100     |   |
| LPD.S-190.20.12-12    | D | 12   |     |         |   |
| LPD.SP-190.20.12      | D | 80   | 100 |         |   |
| LPD.SM-190.20.12-12   | D | 12   | 50  | 100     |   |
| LPA.S-190.20.12-12.7  | A | 12,7 |     |         |   |
| LPA.SP-190.20.12      | A | 80   | 100 |         |   |
| LPA.SM-190.20.12-12.7 | A | 12,7 | 50  | 100     |   |
| LPB.S-190.20.12-12.7  | B | 12,7 |     |         |   |
| LPB.SP-190.20.12      | B | 80   | 100 |         |   |
| LPB.SM-190.20.12-12.7 | B | 12,7 | 50  | 100     |   |
| LPC.S-190.20.12-12.7  | C | 12,7 |     |         |   |
| LPC.SP-190.20.12      | C | 80   | 100 |         |   |
| LPC.SM-190.20.12-12.7 | C | 12,7 | 50  | 100     |   |
| LPD.S-190.20.12-12.7  | D | 12,7 |     |         |   |
| LPD.SP-190.20.12      | D | 80   | 100 |         |   |
| LPD.SM-190.20.12-12.7 | D | 12,7 | 50  | 100     |   |

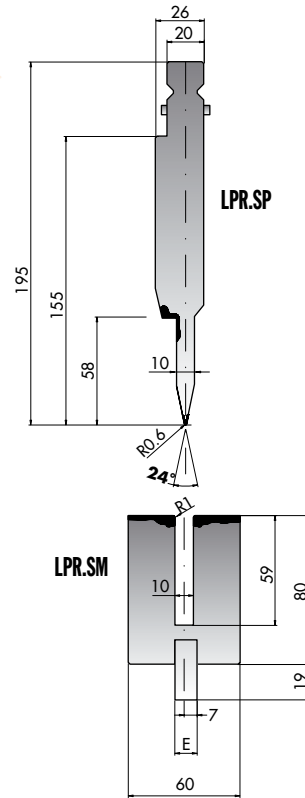
# LVD-WILA TYPE

HRc 54-60 (1980->2200 N/mm<sup>2</sup>)

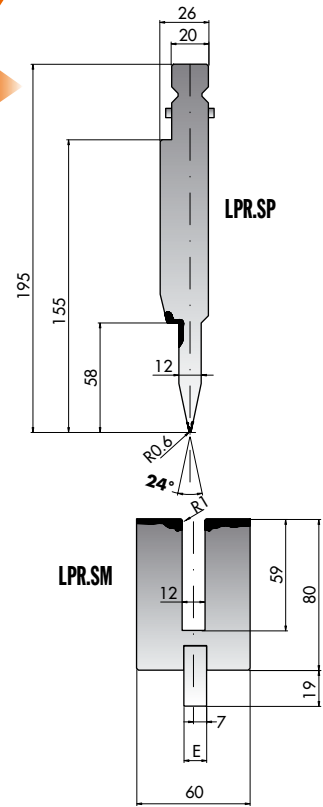
**LPR.S-195.28.8** **42Cr**  
**28°**  
**525**



**LPR.S-195.24.10** **42Cr**  
**24°**  
**525**



**LPR.S-195.24.12** **42Cr**  
**24°**  
**525**

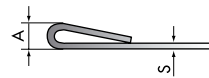
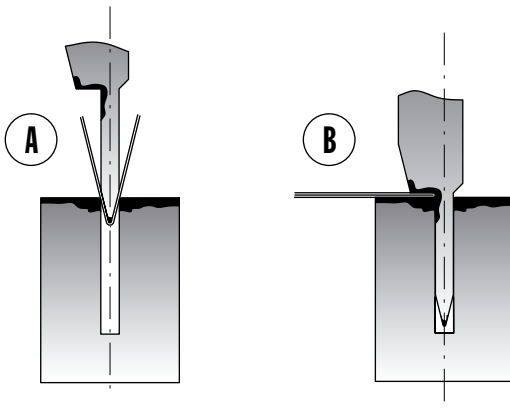


|                      | E mm | max t/m |     |
|----------------------|------|---------|-----|
|                      |      | A       | B   |
| LPR.S-195.28.8-12    | 12   |         |     |
| LPR.SP-195.28.8      |      | 80      | 100 |
| LPR.SM-195.28.8-12   | 12   | 50      | 100 |
| LPR.S-195.28.8-12.7  | 12,7 |         |     |
| LPR.SP-195.28.8      |      | 80      | 100 |
| LPR.SM-195.28.8-12.7 | 12,7 | 50      | 100 |

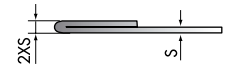
|                       | E mm | max t/m |     |
|-----------------------|------|---------|-----|
|                       |      | A       | B   |
| LPR.S-195.24.10-12    | 12   |         |     |
| LPR.SP-195.24.10      |      | 80      | 100 |
| LPR.SM-195.24.10-12   | 12   | 50      | 100 |
| LPR.S-195.24.10-12.7  | 12,7 |         |     |
| LPR.SP-195.24.10      |      | 80      | 100 |
| LPR.SM-195.24.10-12.7 | 12,7 | 50      | 100 |

|                       | E mm | max t/m |     |
|-----------------------|------|---------|-----|
|                       |      | A       | B   |
| LPR.S-195.24.12-12    | 12   |         |     |
| LPR.SP-195.24.12      |      | 80      | 100 |
| LPR.SM-195.24.12-12   | 12   | 50      | 100 |
| LPR.S-195.24.12-12.7  | 12,7 |         |     |
| LPR.SP-195.24.12      |      | 80      | 100 |
| LPR.SM-195.24.12-12.7 | 12,7 | 50      | 100 |

LVD TYPE



| S    | A   | R.45 Kgf/mm <sup>2</sup> | R.70 Kgf/mm <sup>2</sup> |
|------|-----|--------------------------|--------------------------|
| mm   | mm  | t/m                      | t/m                      |
| 0,6  | 3,0 | 9                        | 15                       |
| 0,8  | 3,0 | 12                       | 20                       |
| 1,0  | 3,5 | 15                       | 25                       |
| 1,25 | 3,5 | 17                       | 26                       |
| 1,5  | 4,6 | 22                       | 38                       |
| 2,0  | 5,5 | 30                       | 50                       |

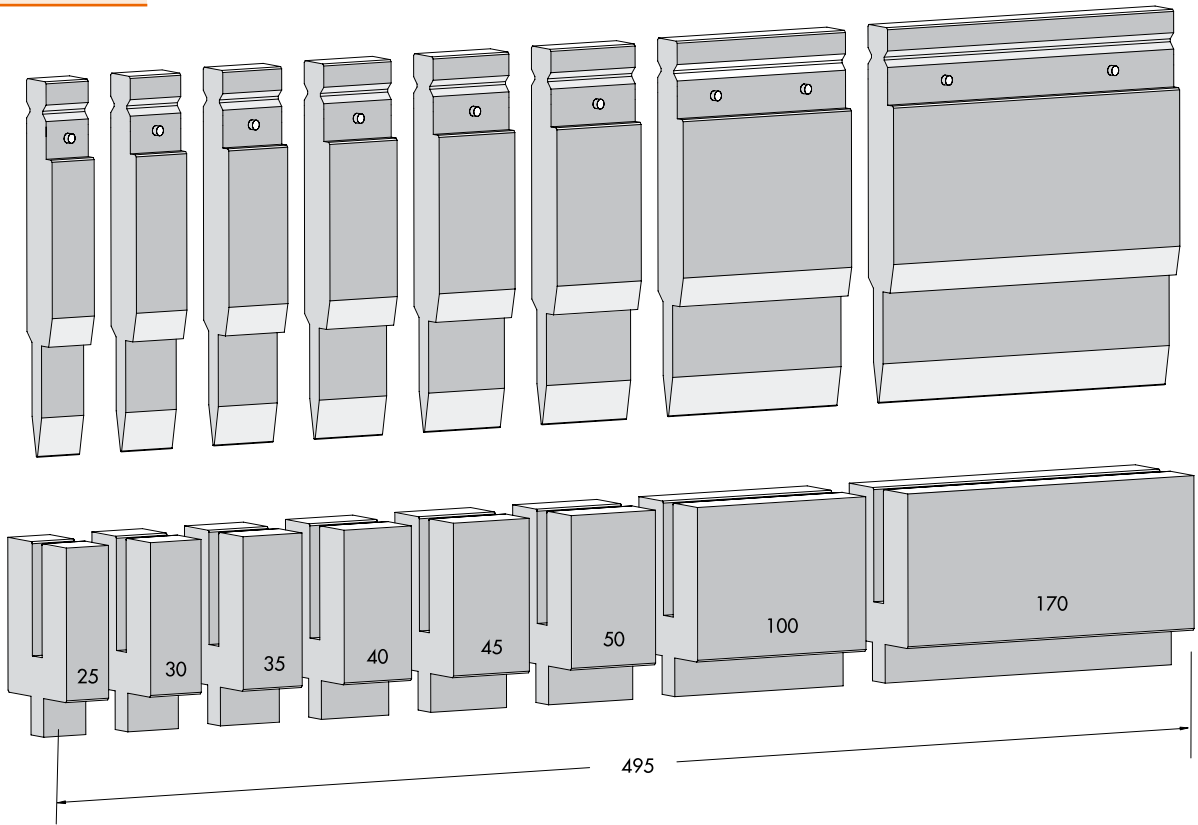


| S    | A   | R.45 Kgf/mm <sup>2</sup> | R.70 Kgf/mm <sup>2</sup> |
|------|-----|--------------------------|--------------------------|
| mm   | mm  | t/m                      | t/m                      |
| 0,6  | 1,2 | 23                       | 35                       |
| 0,8  | 1,6 | 32                       | 50                       |
| 1,0  | 2,0 | 40                       | 60                       |
| 1,25 | 2,5 | 50                       | 80                       |
| 1,5  | 3,0 | 63                       | 95                       |
| 2,0  | 4,0 | 80                       | 130                      |



## LP

LP...S...../F

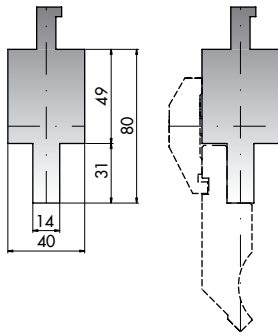


LVD TYPE

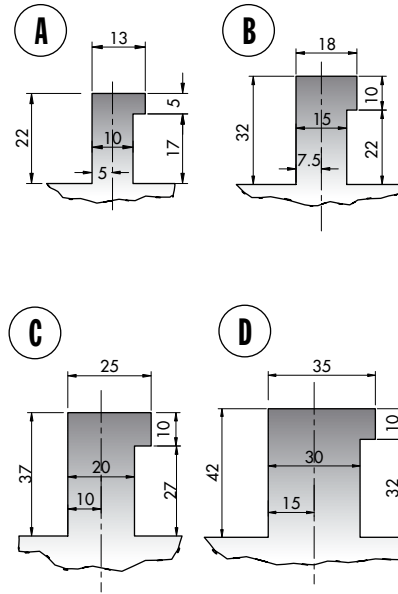
## AD1-A ÷ AD1-D (LVD/PROMEAM)

C45

150



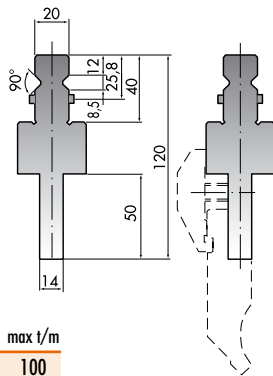
|       | max t/m |
|-------|---------|
| AD1-A | 100     |
| AD1-B | 100     |
| AD1-C | 100     |
| AD1-D | 100     |



## AD11 (TRUMPF/PROMEAM)

C45

150



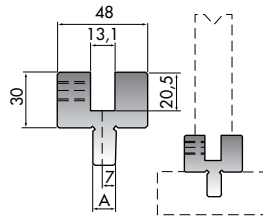
|      | max t/m |
|------|---------|
| AD11 | 100     |

## AD8 (LVD/TRUMPF-BEYELER)

C45

1000

500



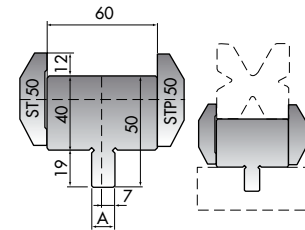
|          | A mm |
|----------|------|
| AD8      | 12   |
| AD8-12.7 | 12,7 |

## AD9 (LVD/PROMEAM-AMADA)

C45

835

415



|          | A mm |
|----------|------|
| AD9      | 12   |
| AD9-12.7 | 12,7 |

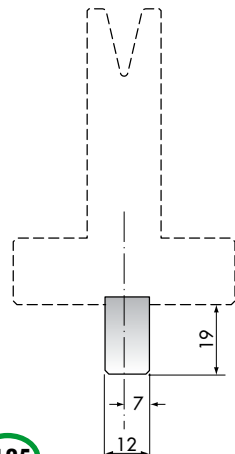
## A31 (LVD/PROMEAM-AMADA)

C45

835

415

805



|       | mm  |
|-------|-----|
| A31   | 835 |
| A31/C | 415 |
| A31/F | 805 |

~~L10~~ ~~L15~~ +L25

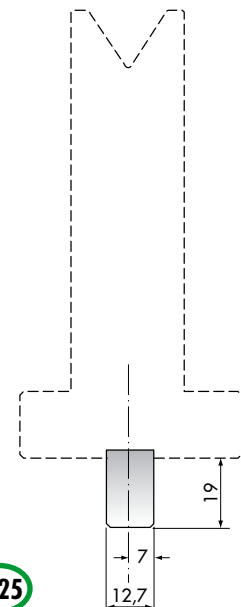
## A32 (LVD/PROMEAM-AMADA)

C45

835

415

805

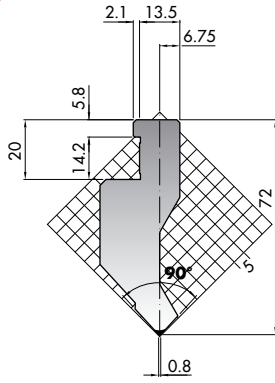


|       | mm  |
|-------|-----|
| A32   | 835 |
| A32/C | 415 |
| A32/F | 805 |

~~L10~~ ~~L15~~ +L25

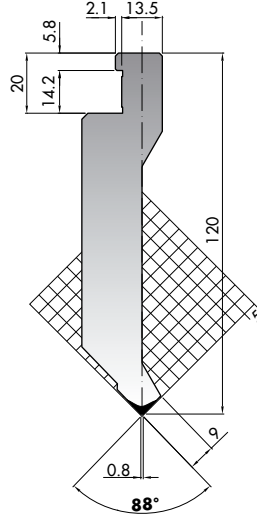
LVD TYPE

**CP72-90-08** C45  
90° 1020



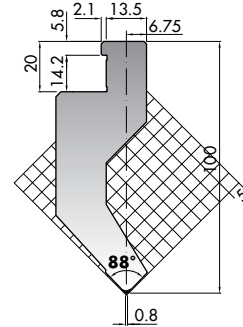
CP72-90-08

**CP120-88-08** C45  
88° 1020



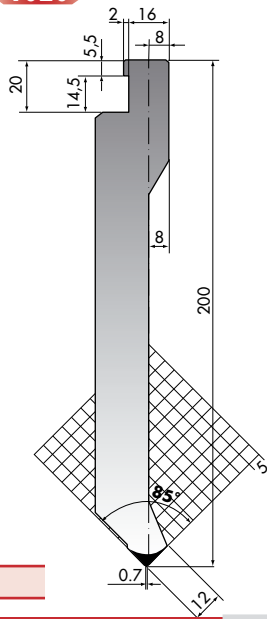
CP120-88-08

**CP100-88-08-A** C45  
88° 1020



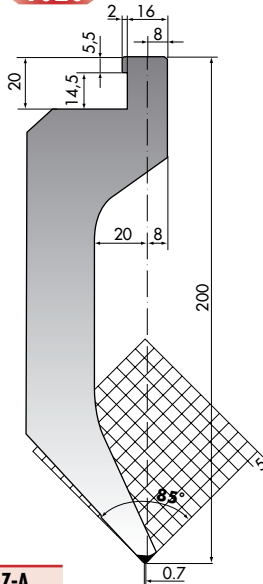
CP120-88-08-A

**CP200-85-07** 42Cr  
85° 1020



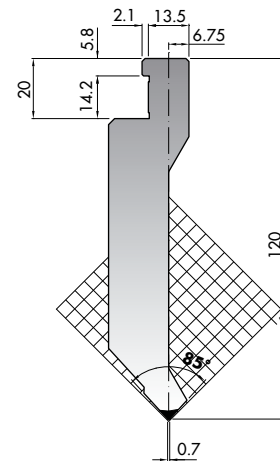
CP200-85-07

**CP200-85-07-A** 42Cr  
85° 1020



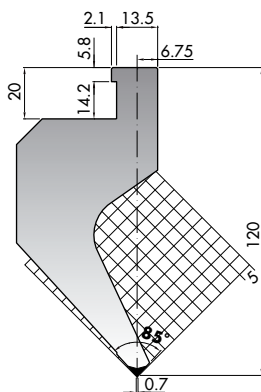
CP200-85-07-A

**CP120-85-07** C45  
85° 1020



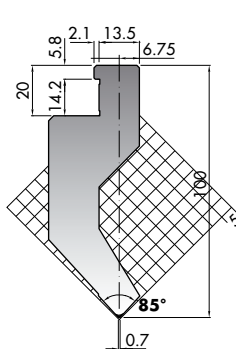
CP120-85-07

**CP120-85-07-A** C45  
85° 1020



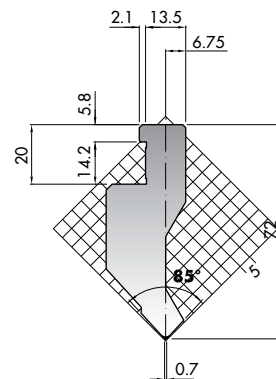
CP120-85-07-A

**CP100-85-07-A** C45  
85° 1020



CP100-85-07-A

**CP72-85-07** C45  
85° 1020



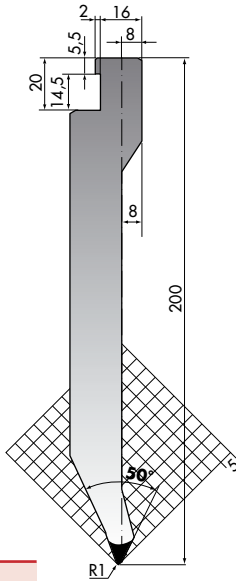
CP72-85-07

**COLLY TYPE**

# COLLY TYPE

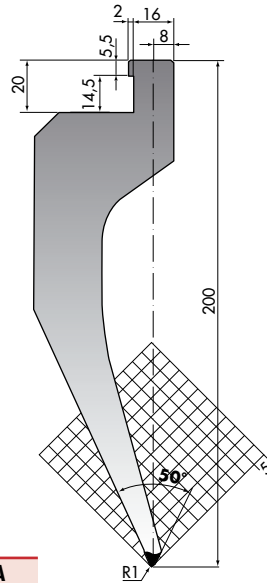
HRc 54-60 (1980->2200 N/mm<sup>2</sup>)

**CP200-50-R1** **42Cr**  
50° 1020



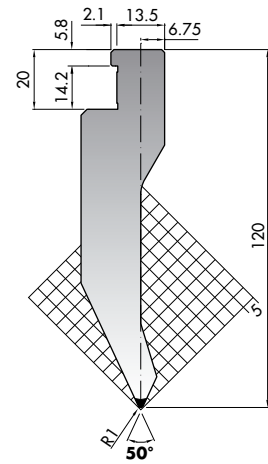
CP200-50-R1

**CP200-50-R1-A** **42Cr**  
50° 1020



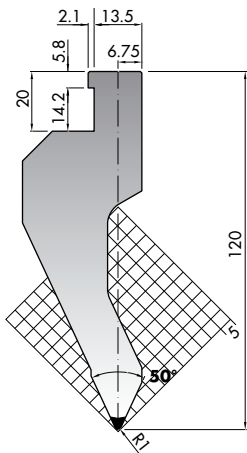
CP200-50-R1-A

**CP120-50-R1** **C45**  
50° 1020



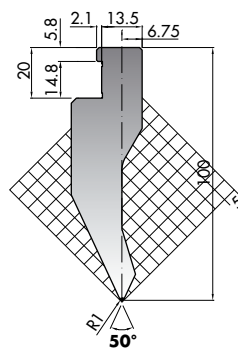
CP120-50-R1

**CP120-50-R1-A** **42Cr**  
50° 1020



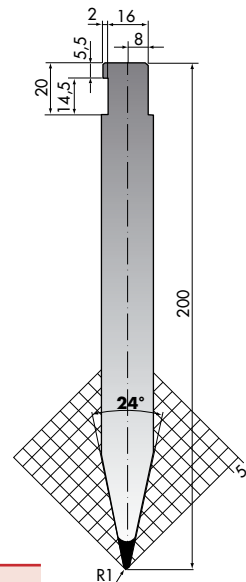
CP120-50-R1-A

**CP100-50-R1** **42Cr**  
50° 1020



CP100-50-R1

**CP200-24-R1** **42Cr**  
24° 1020

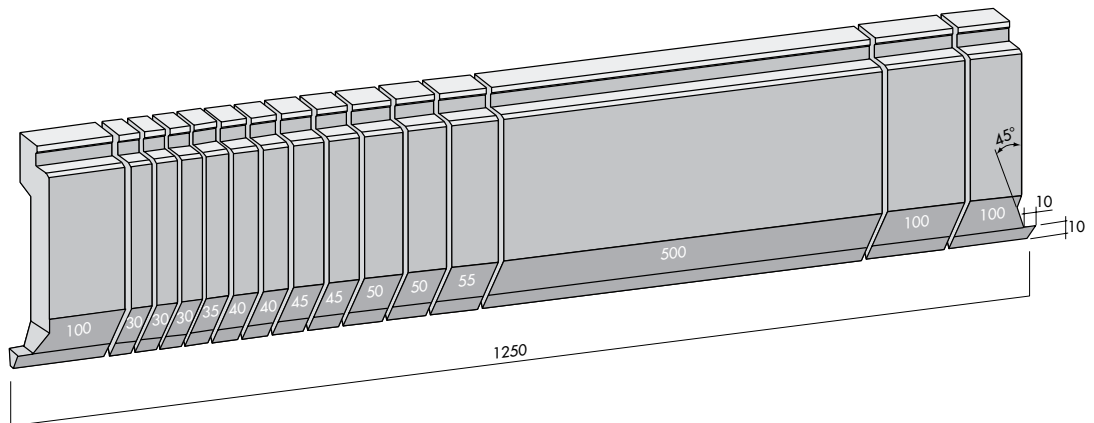


CP200-24-R1

COLLY TYPE

CP

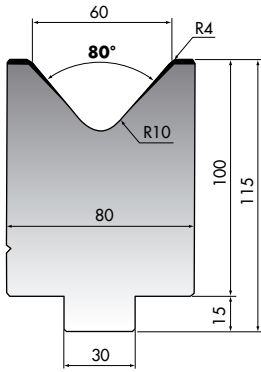
CP200...../F



# COLLY TYPE

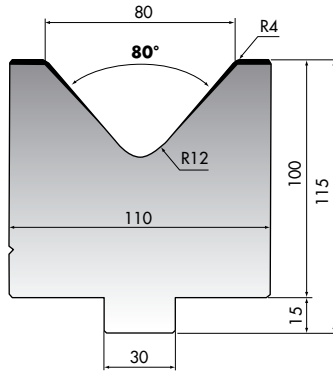
✓ HRC 54-60 (1980->2200 N/mm<sup>2</sup>)

**M115-80-60** C45  
80° 1020



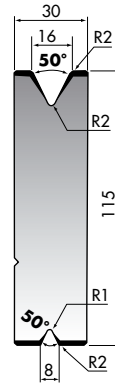
M115-80-60

**M115-80-80** C45  
80° 1020



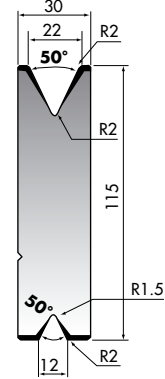
M115-80-80

**M115-50-16** C45  
50° 1020



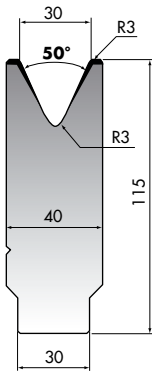
M115-50-16

**M115-50-22** C45  
50° 1020



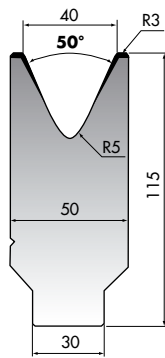
M115-50-22

**M115-50-30** C45  
50° 1020



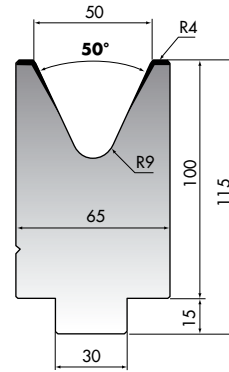
M115-50-30

**M115-50-40** C45  
50° 1020



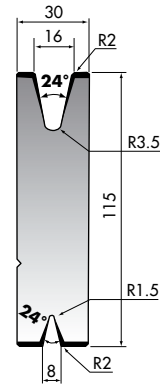
M115-50-40

**M115-50-50** C45  
50° 1020



M115-50-50

**M115-24-16** C45  
24° 1020

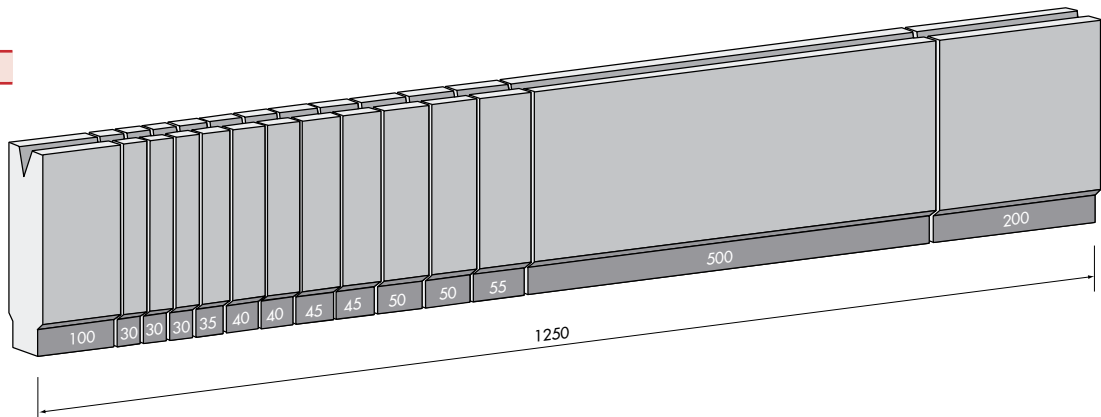


M115-24-16

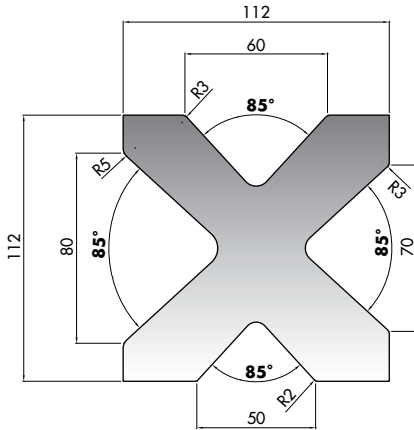
COLLY TYPE

## M115

M115...../F

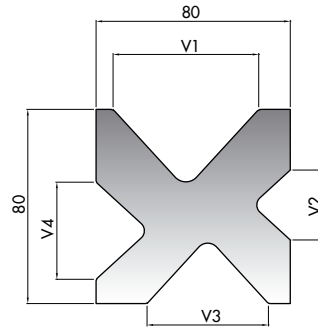


**MC112-3050** **C45**  
3050



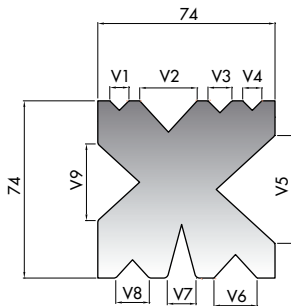
| MC112-3050 |     |     |     |     |
|------------|-----|-----|-----|-----|
|            | V1  | V2  | V3  | V4  |
| V mm       | 60  | 70  | 50  | 80  |
| A          | 85° | 85° | 85° | 85° |
| R mm       | 3   | 3   | 2   | 5   |

**MC80-2050 / MC80-3050** **C45**  
2050 3050



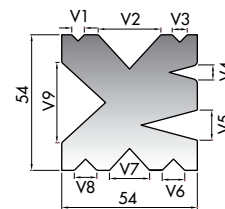
| MC80-2050 / MC80-3050 |     |     |     |     |
|-----------------------|-----|-----|-----|-----|
|                       | V1  | V2  | V3  | V4  |
| V mm                  | 60  | 30  | 50  | 40  |
| A                     | 85° | 85° | 85° | 85° |
| R mm                  | 3   | 1   | 2   | 2   |

**MC74-2050 / MC74-3050** **C45**  
2050 3050



| MC74-2050 / MC74-3050 |     |     |     |     |     |     |     |     |     |
|-----------------------|-----|-----|-----|-----|-----|-----|-----|-----|-----|
|                       | V1  | V2  | V3  | V4  | V5  | V6  | V7  | V8  | V9  |
| V mm                  | 8   | 24  | 10  | 8   | 45  | 18  | 12  | 14  | 32  |
| A                     | 90° | 85° | 90° | 90° | 85° | 85° | 30° | 85° | 85° |
| R mm                  | 0,8 | 0,8 | 2   | 0,8 | 2   | 1   | 2   | 2   | 2   |

**MC54-2050 / MC54-3050** **C45**  
2050 3050



| MC54-2050 / MC54-3050 |     |     |     |     |     |     |     |     |     |
|-----------------------|-----|-----|-----|-----|-----|-----|-----|-----|-----|
|                       | V1  | V2  | V3  | V4  | V5  | V6  | V7  | V8  | V9  |
| V mm                  | 6   | 25  | 6   | 6   | 12  | 9   | 16  | 9   | 32  |
| A                     | 90° | 85° | 90° | 30° | 30° | 90° | 85° | 90° | 85° |
| R mm                  | 0,5 | 1   | 0,5 | 2   | 0,5 | 1   | 0,5 | 1,5 | 1   |

COLLY TYPE

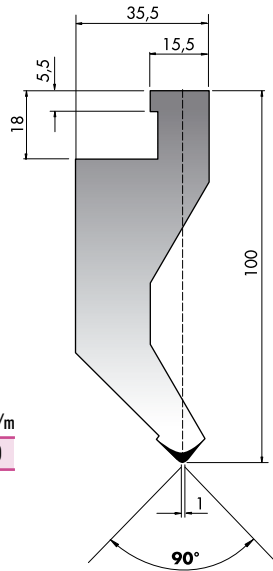
# AJIAL-AXIAL TYPE

Hrc 54-60 (1980->2200 N/mm<sup>2</sup>)

**AXP.100.90.1** **C45**

90°

1020

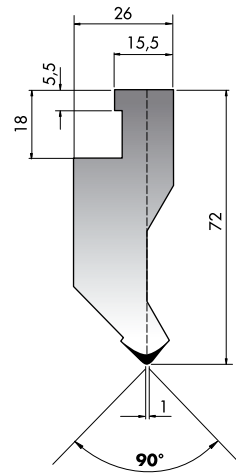


max t/m  
**AXP.100.90.1** 100

**AXP.72.90.1** **C45**

90°

1020

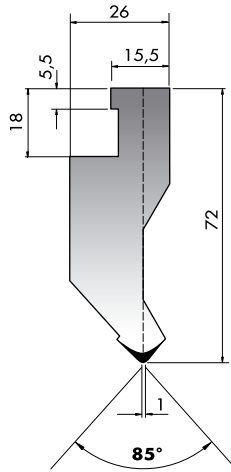


max t/m  
**AXP.72.90.1** 100

**AXP.72.85.1** **C45**

85°

1020

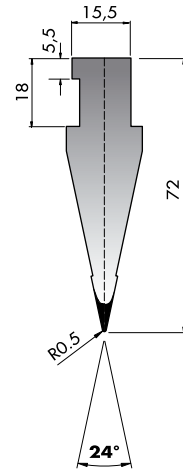


max t/m  
**AXP.72.85.1** 100

**AXP.72.24.R05** **C45**

24°

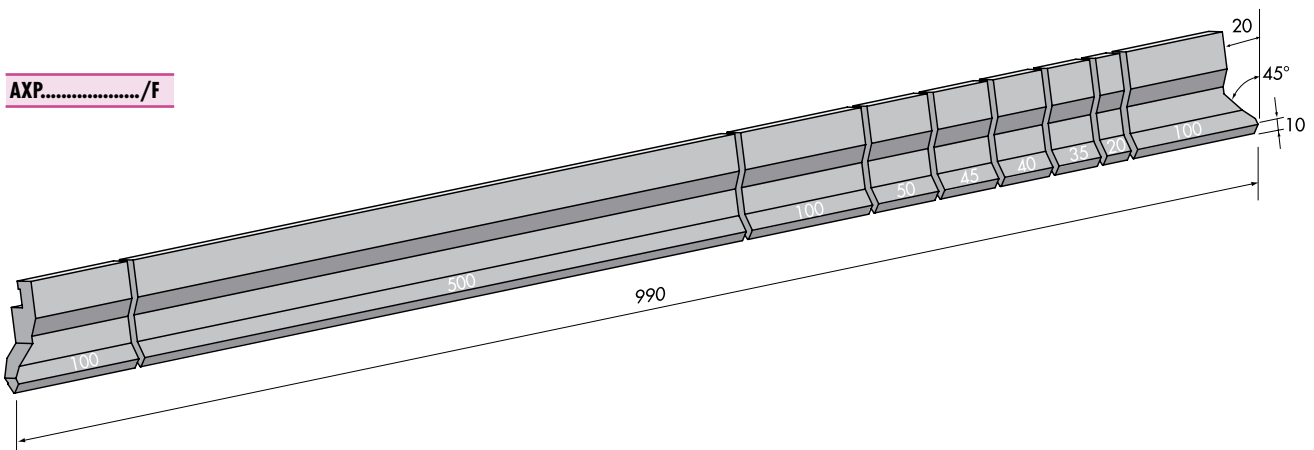
1020



max t/m  
**AXP.72.24.R05** 100

## AXP

AXP...../F



**AJIAL-AXIAL TYPE**

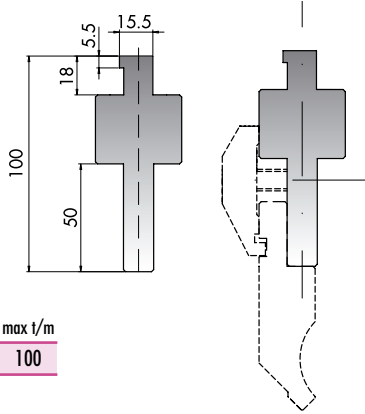
**C45** 560-710 N/mm<sup>2</sup>

**42Cr** 900-1150 N/mm<sup>2</sup>

[www.rolleritools.com](http://www.rolleritools.com)

**AD15 (AJIAL-AXIAL/PROMECA)** **C45**

**150**



|      | max t/m |
|------|---------|
| AD15 | 100     |

AJIAL-AXIAL TYPE



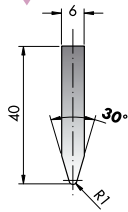


# HÄMMERLE - BYSTRONIC TYPE

HRC 58-60 (2100->2200 N/mm<sup>2</sup>)

H11.010.0...

30°

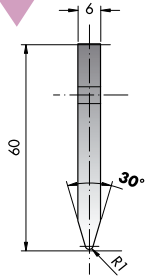


max t/m

H11.010.0... 60

H11.007.0...

30°

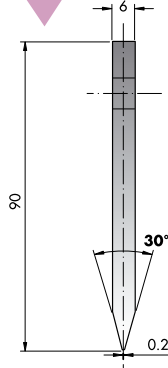


max t/m

H11.007.0... 100

H11.002.0...

30°

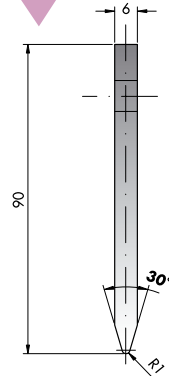


max t/m

H11.002.0... 100

H11.001.0...

30°

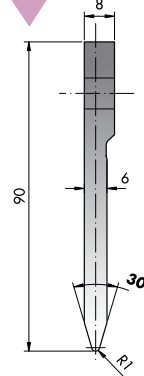


max t/m

H11.001.0... 100

H11.008.0...

30°

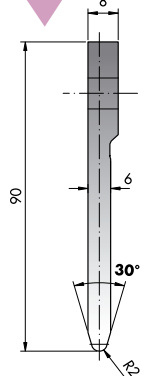


max t/m

H11.008.0... 100 ~~11~~

H11.006.0...

30°

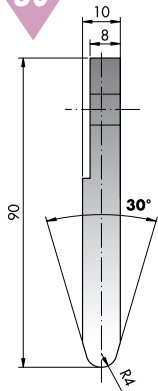


max t/m

H11.006.0... 100

H11.034.0...

30°

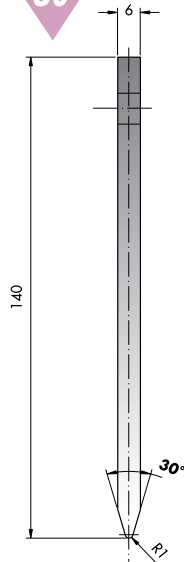


max t/m

H11.034.0... 100 ~~11~~

H11.003.0...

30°

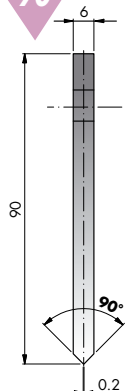


max t/m

H11.003.0... 100

H11.005.0...

90°

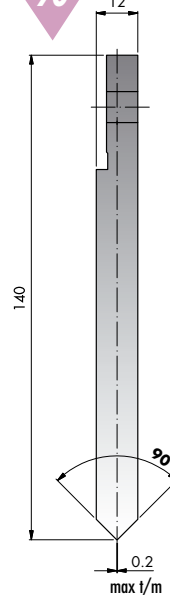


max t/m

H11.005.0... 100

H11.009.0...

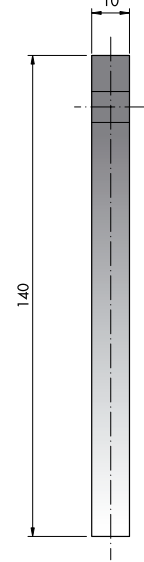
90°



max t/m

H11.009.0... 100

H14.021.0...

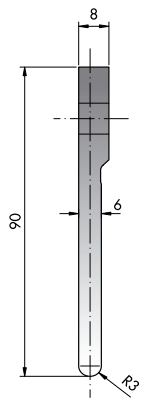


max t/m

H14.021.0... 100

|             | L      |
|-------------|--------|
| ... .. 1.01 | 100    |
| ... .. 2.01 | 50     |
| ... .. 2.02 | 55     |
| ... .. 2.03 | 60     |
| ... .. 2.04 | 65     |
| ... .. 2.05 | 70     |
| ... .. 2.06 | 75     |
| ... .. 2.07 | 80     |
| ... .. 2.08 | 85     |
| ... .. 2.09 | 90     |
| ... .. 2.10 | 95     |
| ... .. 4.01 | 75 DX  |
| ... .. 4.02 | 85 DX  |
| ... .. 4.03 | 95 DX  |
| ... .. 4.04 | 105 DX |
| ... .. 4.05 | 115 DX |
| ... .. 4.06 | 80 SX  |
| ... .. 5.01 | 75 SX  |
| ... .. 5.02 | 85 SX  |
| ... .. 5.03 | 95 SX  |
| ... .. 5.04 | 105 SX |
| ... .. 5.05 | 115 SX |
| ... .. 5.06 | 80 DX  |

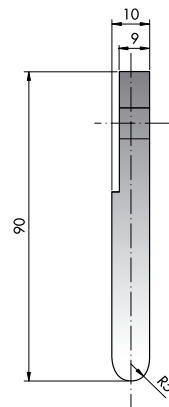
H11.033.1...



max t/m

H11.031.1... 100

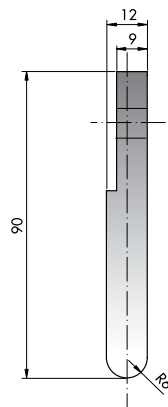
H11.035.0...



max t/m

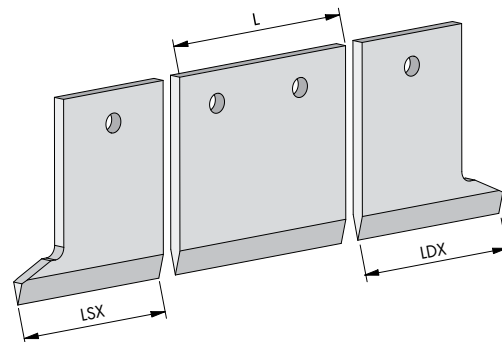
H11.035.1... 100

H11.036.0...



max t/m

H11.036.0... 100

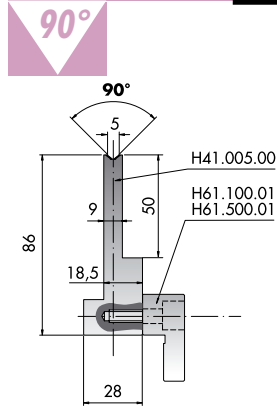


HAMMERLE - BYSTRONIC TYPE

# HÄMMERLE - BYSTRONIC TYPE

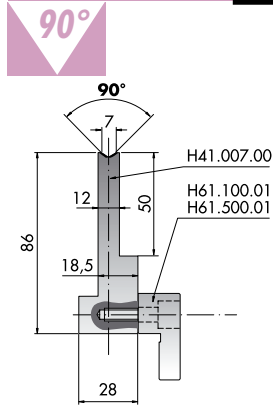
HRc 54-60 (1980->2200 N/mm<sup>2</sup>)

**H41.005.0... 42Cr**



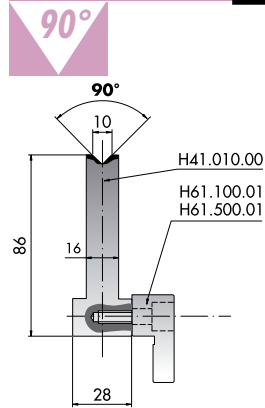
max t/m  
**H41.005.0... 100**

**H41.007.0... 42Cr**



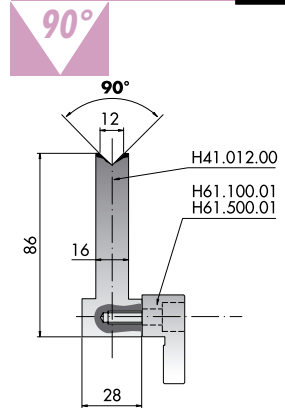
max t/m  
**H41.007.0... 100**

**H41.010.0... 42Cr**



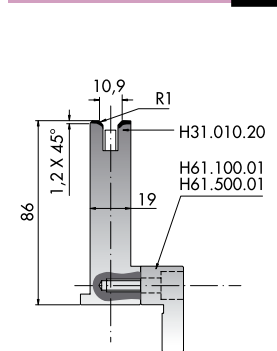
max t/m  
**H41.010.0... 100**

**H41.012.0... 42Cr**



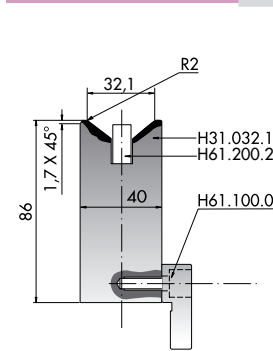
max t/m  
**H41.012.0... 100**

**H31.010.2... 42Cr**



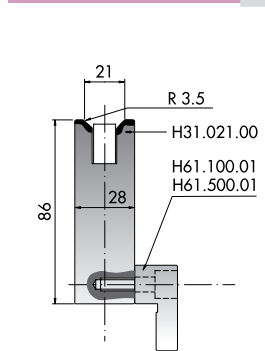
max t/m  
**H31.010.2... 55**

**H31.032.1... C45**



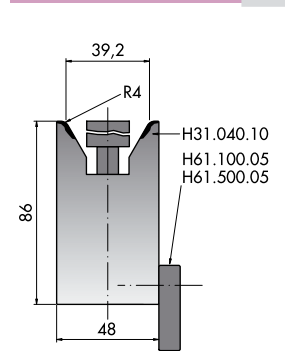
max t/m  
**H31.032.1... 120**

**H31.021.0... C45**



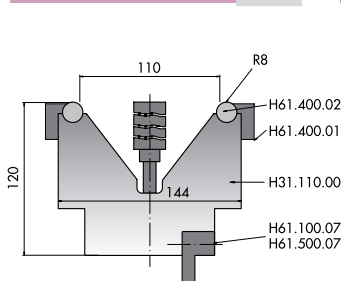
max t/m  
**H31.021.0... 50**

**H31.040.1... C45**



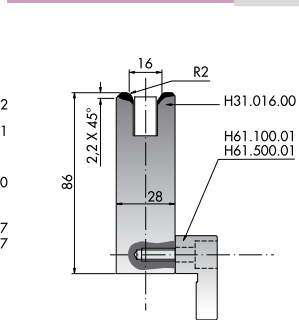
max t/m  
**H31.040.1... 75**

**H31.110.0... C45**



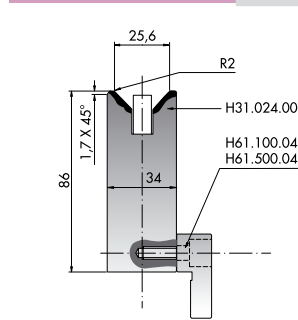
max t/m  
**H31.110.0... 150**

**H31.016.0... C45**



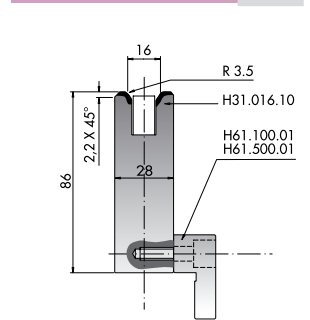
max t/m  
**H31.016.0... 50**

**H31.024.0... C45**



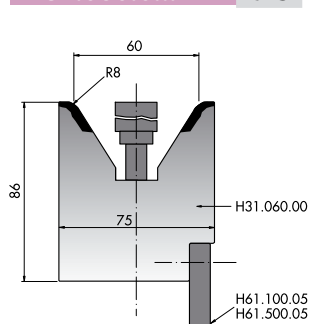
max t/m  
**H31.024.0... 75**

**H31.016.1... C45**



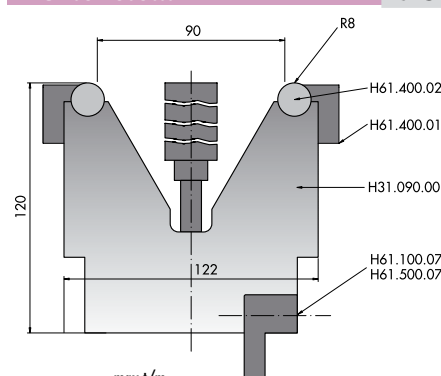
max t/m  
**H31.016.1... 50**

**H31.060.0... C45**



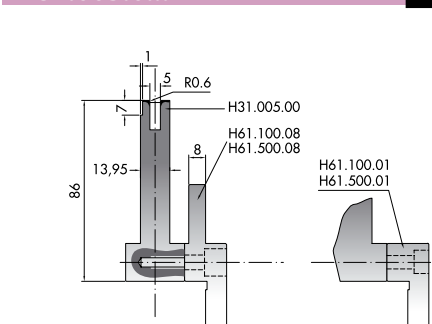
max t/m  
**H31.060.0... 150**

**H31.090.0... C45**



max t/m  
**H31.090.0... 150**

**H31.005.0... 42Cr**



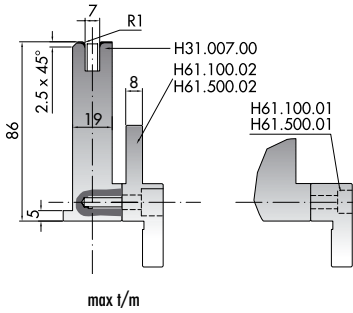
max t/m  
**H31.005.0... 25**

**HAMMERLE - BYSTRONIC TYPE**

# HÄMMERLE - BYSTRONIC TYPE

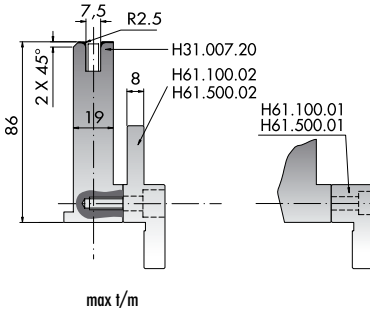
✓ Hrc 54-60 (1980->2200 N/mm<sup>2</sup>)

## H31.007.0... 42Cr



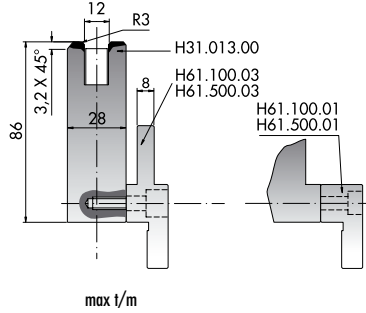
max t/m  
H31.007.0... 50

## H31.007.2... 42Cr



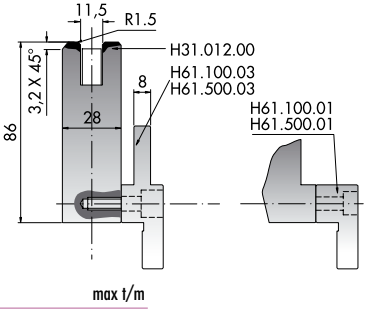
max t/m  
H31.007.2... 50

## H31.013.0... C45



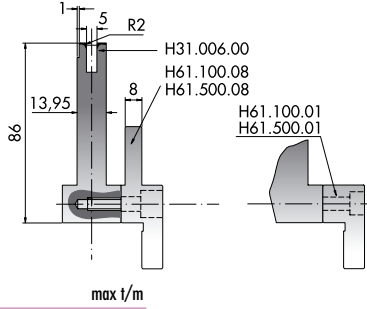
max t/m  
H31.013.0... 50

## H31.012.0 C45



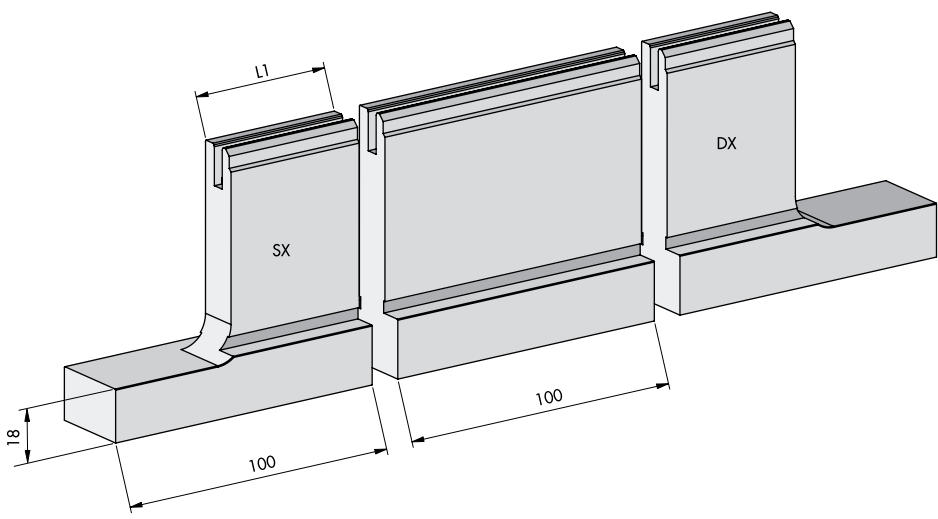
max t/m  
H31.012.0... 50

## H31.006.0 42Cr

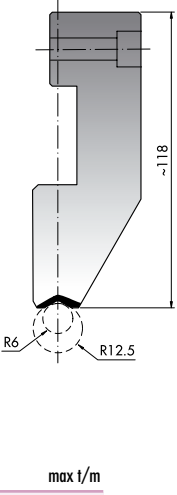


max t/m  
H31.006.0... 35

|             | L   | L1 |
|-------------|-----|----|
| ... .. 1.01 | 100 |    |
| ... .. 2.01 | 50  | SX |
| ... .. 2.02 | 55  | DX |
| ... .. 2.03 | 60  | DX |
| ... .. 2.04 | 65  | DX |
| ... .. 2.05 | 70  | DX |
| ... .. 2.06 | 75  | DX |
| ... .. 2.07 | 80  | DX |
| ... .. 2.08 | 85  | DX |
| ... .. 2.09 | 90  | DX |
| ... .. 2.10 | 95  | DX |
| ... .. 3.01 | 50  | DX |
| ... .. 3.02 | 55  | SX |
| ... .. 3.03 | 60  | SX |
| ... .. 3.04 | 65  | SX |
| ... .. 3.05 | 70  | SX |
| ... .. 3.06 | 75  | SX |
| ... .. 3.07 | 80  | SX |
| ... .. 3.08 | 85  | SX |
| ... .. 3.09 | 90  | SX |
| ... .. 3.10 | 95  | SX |

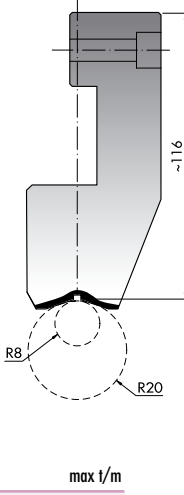


## H22.013.0... C45



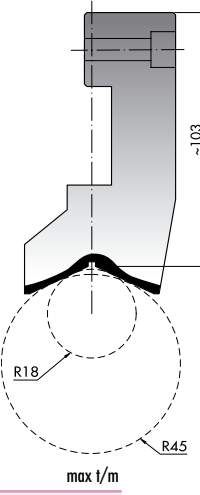
max t/m  
H22.013.0... 100

## H22.014.0... C45



max t/m  
H22.014.0... 100

## H22.015.0... C45



max t/m  
H22.015.0... 100

|             | L   |
|-------------|-----|
| ... .. 1.01 | 100 |
| ... .. 2.01 | 50  |
| ... .. 2.02 | 55  |
| ... .. 2.03 | 60  |
| ... .. 2.04 | 65  |
| ... .. 2.05 | 70  |
| ... .. 2.06 | 75  |
| ... .. 2.07 | 80  |
| ... .. 2.08 | 85  |
| ... .. 2.09 | 90  |
| ... .. 2.10 | 95  |

HAMMERLE - BYSTRONIC TYPE

**C45** 560-710 N/mm<sup>2</sup>

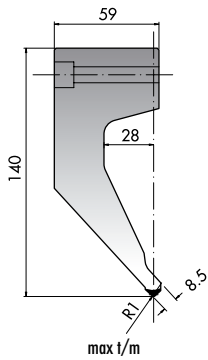
**42Cr** 900-1150 N/mm<sup>2</sup>

[www.rolleritools.com](http://www.rolleritools.com)

# HÄMMERLE - BYSTRONIC TYPE

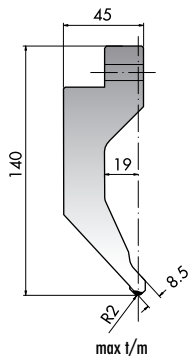
HRc 54-60 (1980->2200 N/mm<sup>2</sup>)

**H12.014.0.. 42Cr**



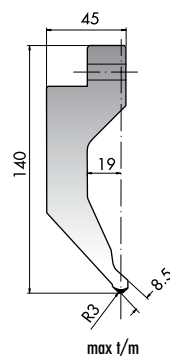
max t/m  
**H12.014.0... 97,5**

**H12.052.0.. 42Cr**



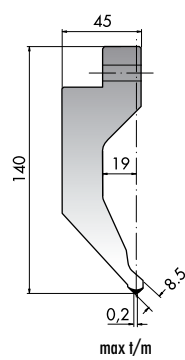
max t/m  
**H12.052.0... 97,5**

**H12.053.0 42Cr**

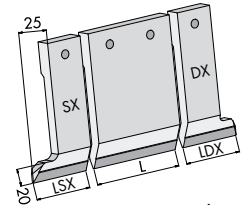


max t/m  
**H12.053.0... 97,5**

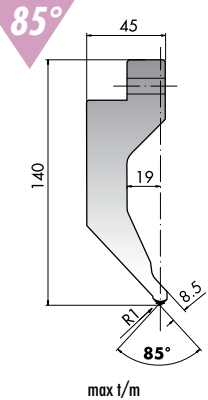
**H12.019.0.. 42Cr**



max t/m  
**H12.019.0... 97,5**

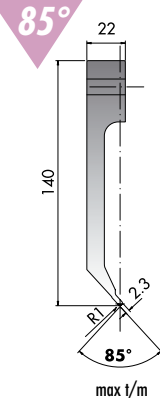


**H12.015.0.. 42Cr**



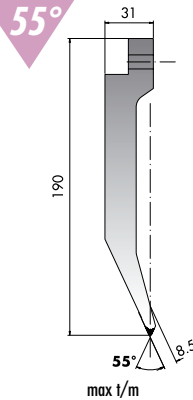
max t/m  
**H12.014.0... 97,5**

**H12.025.0.. 42Cr**



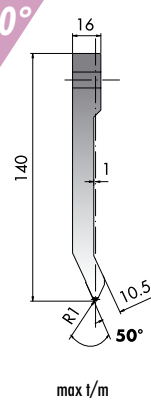
max t/m  
**H12.052.0... 25**

**H12.017.0.. 42Cr**



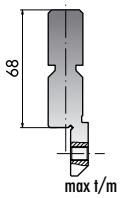
max t/m  
**H12.053.0... 75**

**H12.065.0.. 42Cr**



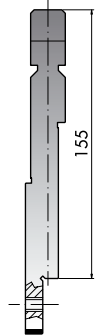
max t/m  
**H12.019.0... 100**

**H21.003.0.. C45**



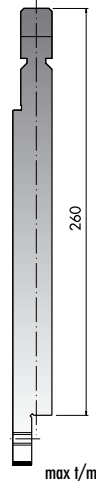
max t/m  
**H21.003.0... 100**

**H21.002.0.. C45**



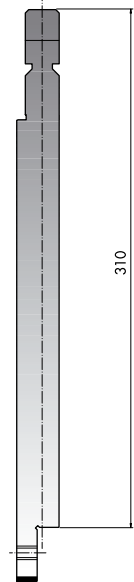
max t/m  
**H21.002.0... 100**

**H21.005.0.. C45**



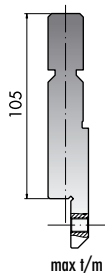
max t/m  
**H12.005.0... 100**

**H21.010.0.. C45**



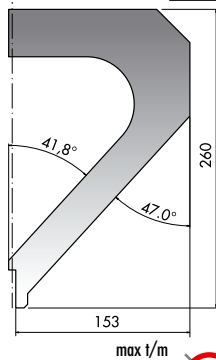
max t/m  
**H12.010.0... 100**

**H21.004.0.. C45**



max t/m  
**H21.004.0... 100**

**H22.006.0.. 42Cr**



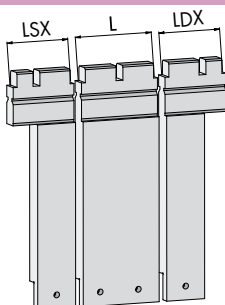
max t/m  
**H22.006.0... 60**



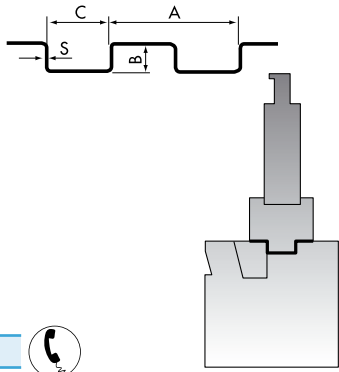
|             | L      |
|-------------|--------|
| ... .. 1.01 | 100    |
| ... .. 2.01 | 50     |
| ... .. 2.02 | 55     |
| ... .. 2.03 | 60     |
| ... .. 2.04 | 65     |
| ... .. 2.05 | 70     |
| ... .. 2.06 | 75     |
| ... .. 2.07 | 80     |
| ... .. 2.08 | 85     |
| ... .. 2.09 | 90     |
| ... .. 2.10 | 95     |
| ... .. 4.01 | 75 DX  |
| ... .. 4.02 | 85 DX  |
| ... .. 4.03 | 95 DX  |
| ... .. 4.04 | 105 DX |
| ... .. 4.05 | 115 DX |
| ... .. 4.06 | 80 SX  |
| ... .. 5.01 | 75 SX  |
| ... .. 5.02 | 85 SX  |
| ... .. 5.03 | 95 SX  |
| ... .. 5.04 | 105 SX |
| ... .. 5.05 | 115 SX |
| ... .. 5.06 | 80 DX  |

|             | L      |
|-------------|--------|
| ... .. 1.01 | 100    |
| ... .. 1.03 | 200    |
| ... .. 2.01 | 50     |
| ... .. 2.02 | 55     |
| ... .. 2.03 | 60     |
| ... .. 2.04 | 65     |
| ... .. 2.05 | 70     |
| ... .. 2.06 | 75     |
| ... .. 2.07 | 80     |
| ... .. 2.08 | 85     |
| ... .. 2.09 | 90     |
| ... .. 2.10 | 95     |
| ... .. 4.01 | 75 DX  |
| ... .. 4.02 | 85 DX  |
| ... .. 4.03 | 95 DX  |
| ... .. 4.04 | 105 DX |
| ... .. 4.05 | 115 DX |
| ... .. 4.06 | 80 SX  |
| ... .. 5.01 | 75 SX  |
| ... .. 5.02 | 85 SX  |
| ... .. 5.03 | 95 SX  |
| ... .. 5.04 | 105 SX |
| ... .. 5.05 | 115 SX |
| ... .. 5.06 | 80 DX  |

**HAMMERLE - BYSTRONIC TYPE**

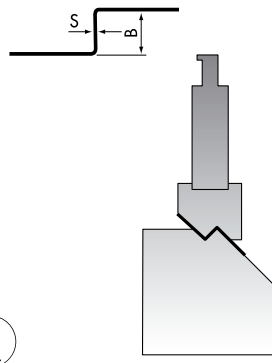


## SPE-1



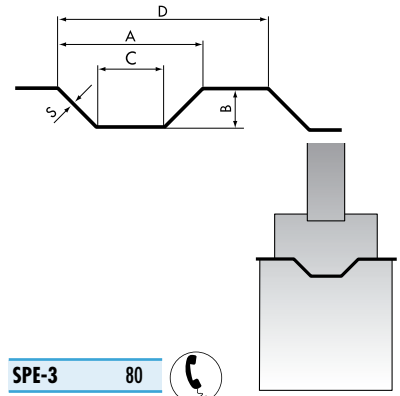
SPE-1

## SPE-2



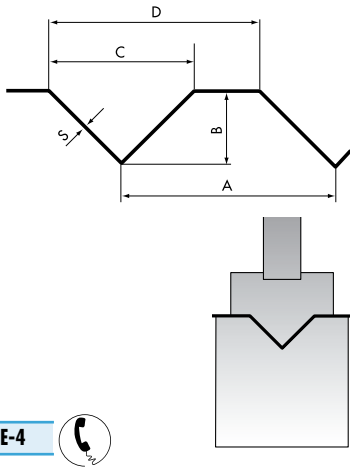
SPE-2

## SPE-3



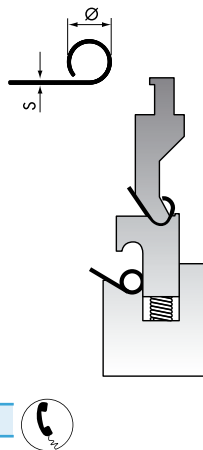
SPE-3 80

## SPE-4



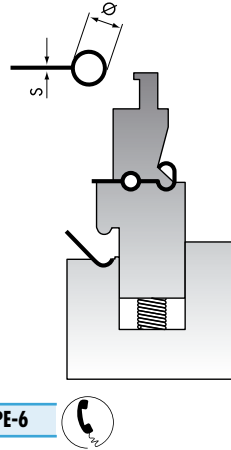
SPE-4

## SPE-5

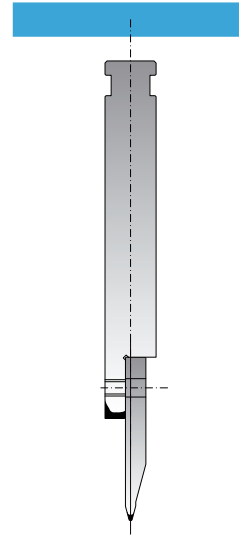


SPE-5

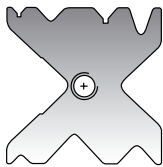
## SPE-6



SPE-6

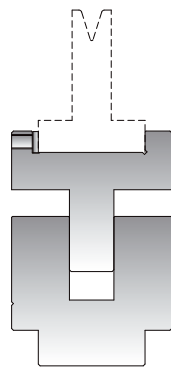


## SPE-7



SPE-7

## SPE-9

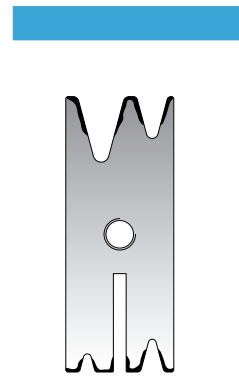


SPE-9

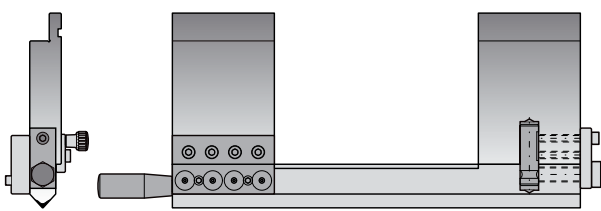
## SPE-10



SPE-10

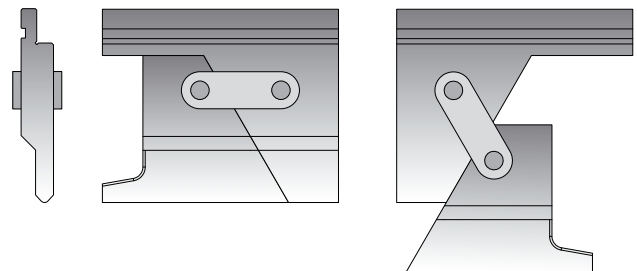


## SPE-11



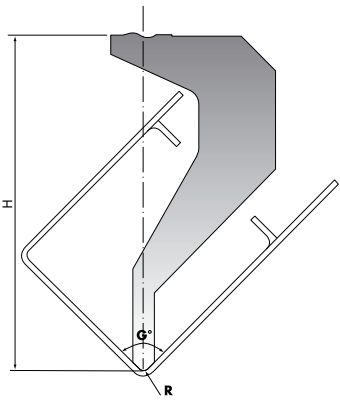
SPE-11

## SCA-M



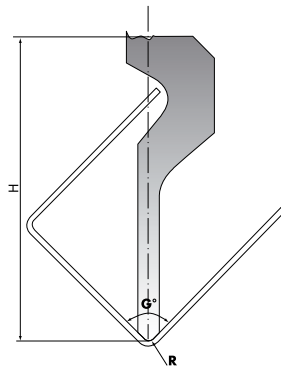
SCA-M

## SPE-P1



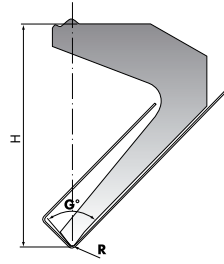
SPE-P1

## SPE-P2



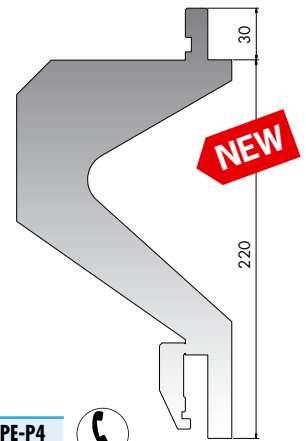
SPE-P2

## SPE-P3

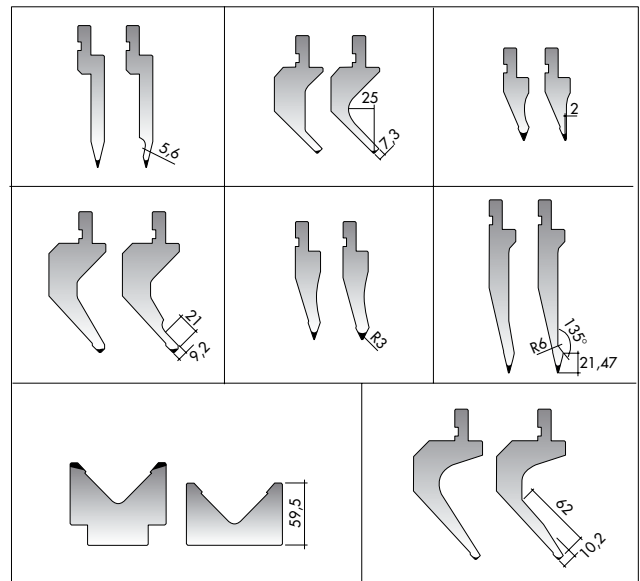
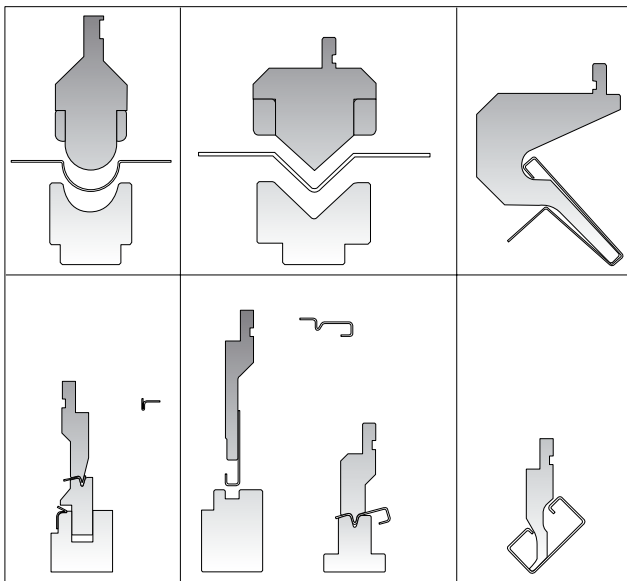


SPE-P3

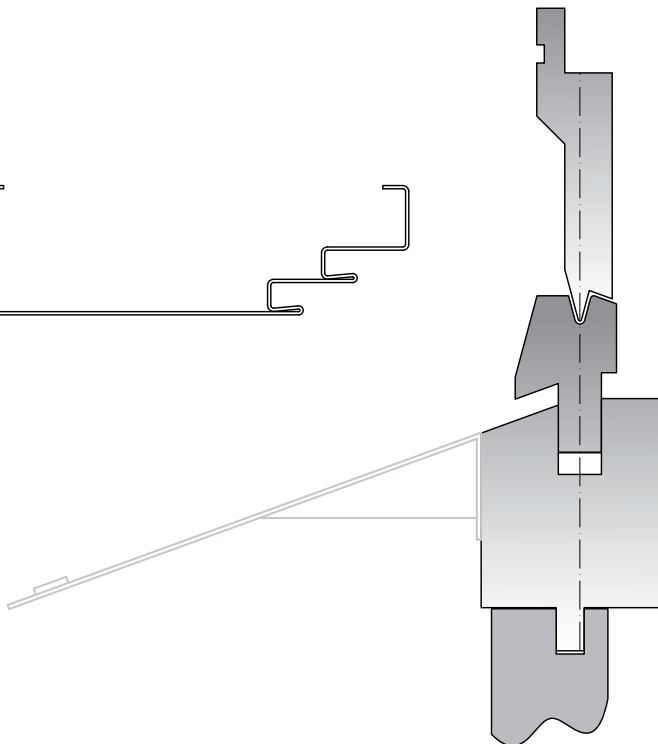
## SPE-P4



SPE-P4



SPECIAL TOOLS



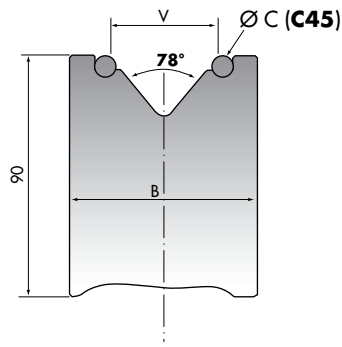
**MR90-20-78 ÷ MR 90-70-78 42Cr**

**835**

○ Hrc 60-62

~~F~~

|                   | V mm | B mm | C mm |
|-------------------|------|------|------|
| <b>MR90-20-78</b> | 20   | 45   | 6    |
| <b>MR90-24-78</b> | 24   | 49   | 6    |
| <b>MR90-30-78</b> | 30   | 60   | 8    |
| <b>MR90-40-78</b> | 40   | 70   | 8    |
| <b>MR90-50-78</b> | 50   | 84   | 10   |
| <b>MR90-60-78</b> | 60   | 94   | 10   |
| <b>MR90-70-78</b> | 70   | 104  | 10   |



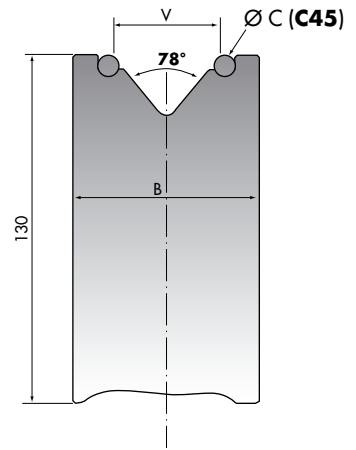
**MR130-20-78 ÷ MR 130-120-78 42Cr**

**835**

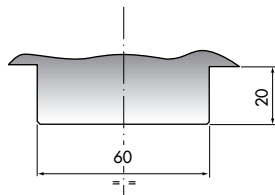
○ Hrc 60-62

~~F~~

|                     | V mm | B mm | C mm |
|---------------------|------|------|------|
| <b>MR130-20-78</b>  | 20   | 45   | 6    |
| <b>MR130-24-78</b>  | 24   | 49   | 6    |
| <b>MR130-30-78</b>  | 30   | 60   | 8    |
| <b>MR130-40-78</b>  | 40   | 70   | 8    |
| <b>MR130-50-78</b>  | 50   | 84   | 10   |
| <b>MR130-60-78</b>  | 60   | 94   | 10   |
| <b>MR130-75-78</b>  | 75   | 118  | 16   |
| <b>MR130-80-78</b>  | 80   | 123  | 16   |
| <b>MR130-90-78</b>  | 90   | 133  | 16   |
| <b>MR130-100-78</b> | 100  | 143  | 16   |
| <b>MR130-120-78</b> | 120  | 163  | 16   |

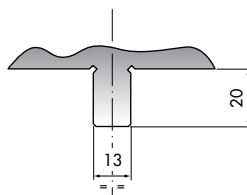


**A10**



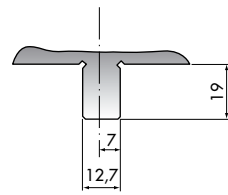
**A10**

**A11**



**A11**

**A13**



**A13**

**TOOLS FOR PANELLING MACHINE**



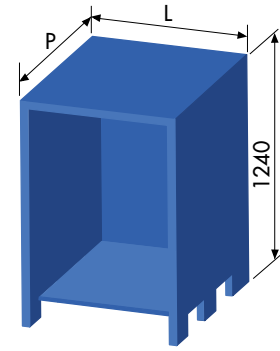
**SPECIAL TOOLS**

# EQUIPMENT

## ARM



### Q

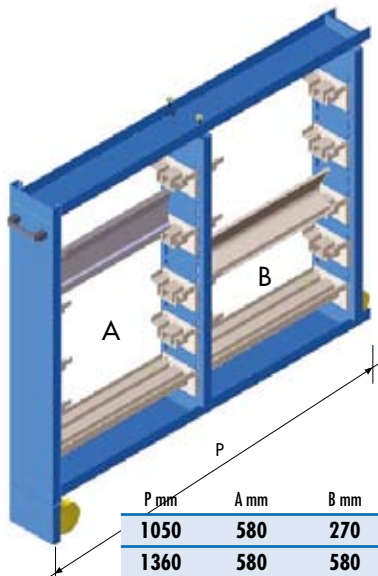


|      | L mm | P mm |
|------|------|------|
| Q4-1 | 850  | 1050 |
| Q4-2 | 850  | 1360 |
| Q5-1 | 1040 | 1050 |
| Q5-2 | 1040 | 1360 |

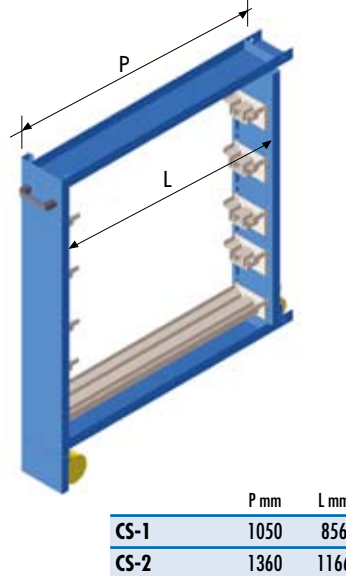
|                 | L max | CS     | CV | UC         | UL         | UT      | UV | Q    |
|-----------------|-------|--------|----|------------|------------|---------|----|------|
| ARM 835-4       | 835   | 4 CS-1 | 0  | 16 UC-13-1 | 4 UL-13-3  | 0       | 0  | Q4-1 |
| ARM 835-5       | 835   | 5 CS-1 | 0  | 20 UC-13-1 | 5 UL-13-3  | 0       | 0  | Q5-1 |
| ARM 1060-4      | 1060  | 4 CS-2 | 0  | 16 UC-20-2 | 4 UL-20-4  | 0       | 0  | Q4-2 |
| ARM 1060-5      | 1060  | 5 CS-2 | 0  | 20 UC-20-2 | 5 UL-20-4  | 0       | 0  | Q5-2 |
| ARM 1060-4-CV   | 1060  | 4 CS-2 | 2  | 20 UC-20-1 | 10 UL-20-4 | 0       | 0  | Q4-2 |
| ARM 1060-5-CV   | 1060  | 5 CS-2 | 3  | 30 UC-20-1 | 10 UL-20-4 | 0       | 0  | Q5-2 |
| ARM 1060-4-T    | 1060  | 4 CS-2 | 0  | 0          | 8 UL-13-4  | 8 UT-4  | 0  | Q4-2 |
| ARM 1060-5-T    | 1060  | 5 CS-2 | 0  | 0          | 10 UL-13-4 | 10 UT-4 | 0  | Q5-2 |
| ARM 1060-4-T-CV | 1060  | 4 CS-2 | 2  | 16 UC-13-1 | 0          | 8 UT-4  | 0  | Q4-2 |
| ARM 1060-5-T-CV | 1060  | 5 CS-2 | 3  | 24 UC-13-1 | 0          | 8 UT-4  | 0  | Q5-2 |

EQUIPMENT

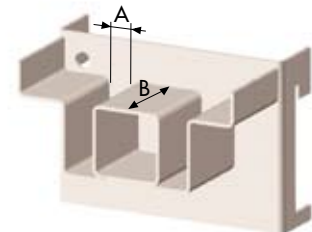
### CV



### CS



### UC



|             | A mm  | B mm   |
|-------------|-------|--------|
| UC-13-1 (2) | L=125 | 13 76  |
| UC-13-2 (2) | L=250 | 13 232 |
| UC-20-1 (2) | L=120 | 20 76  |
| UC-20-2 (2) | L=250 | 20 232 |



# EQUIPMENT

## TOOLS TROLLEY



|           |                |            |
|-----------|----------------|------------|
| A TROLLEY | PROMECAM-AMADA | 30 SHELVES |
| B TROLLEY | BEYELER        | 26 SHELVES |
| T TROLLEY | TRUMPF         | 26 SHELVES |

## ROLFILM 3 ÷ ROLFILM 30



|            | m  |
|------------|----|
| ROLFILM 3  | 3  |
| ROLFILM 10 | 10 |
| ROLFILM 20 | 20 |
| ROLFILM 30 | 30 |

## CT



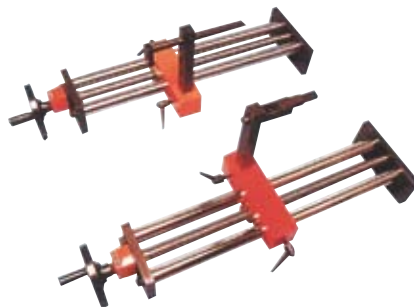
CT (2)

## RIF500 ÷ RIF1500



|         | m    |
|---------|------|
| RIF500  | 500  |
| RIF1000 | 1000 |
| RIF1500 | 1500 |

## RP500A RP500B



|        |  |
|--------|--|
| RP500A |  |
| RP500B |  |

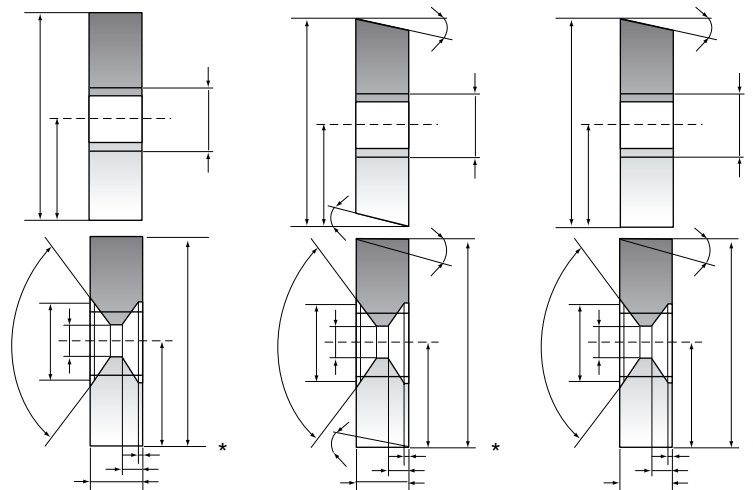
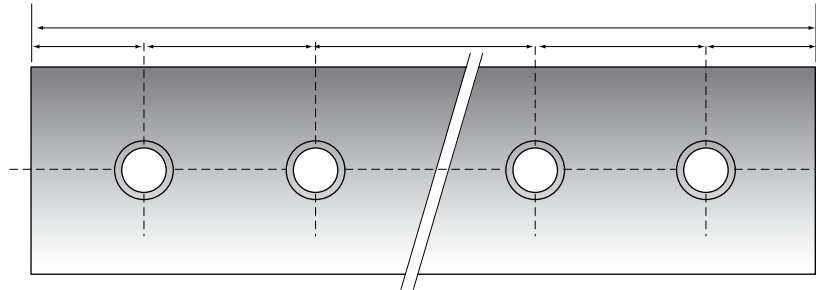
## AS



AS

EQUIPMENT

# SHEAR BLADES

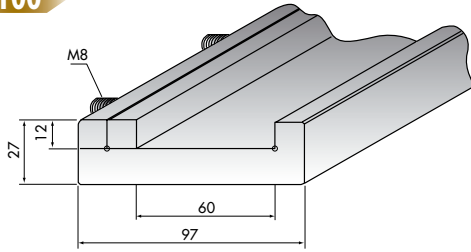


SHEAR BLADES

## C2000/S C2500/S C3000/S C4000/S C45

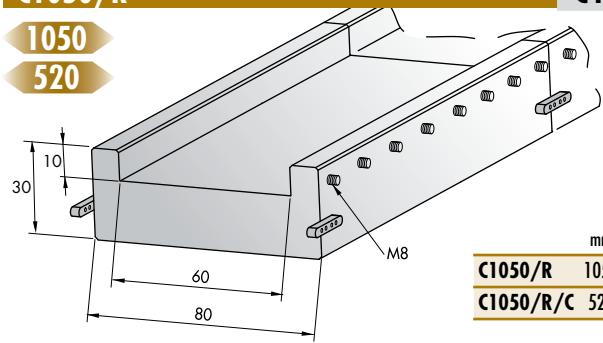
2100 3100  
2600 4100

|         | mm   |
|---------|------|
| C2000/S | 2100 |
| C2500/S | 2600 |
| C3000/S | 3100 |
| C4000/S | 4100 |



## C1050/R C45

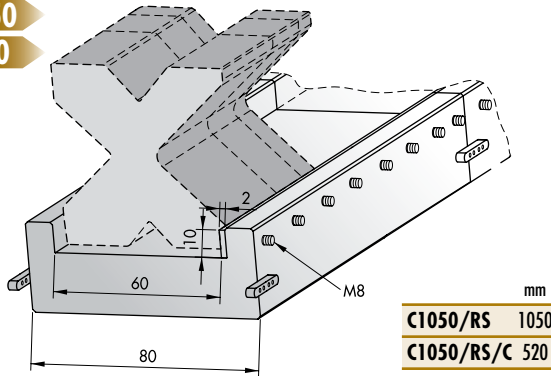
1050  
520



|           | mm   |
|-----------|------|
| C1050/R   | 1050 |
| C1050/R/C | 520  |

## C 1050/RS C45

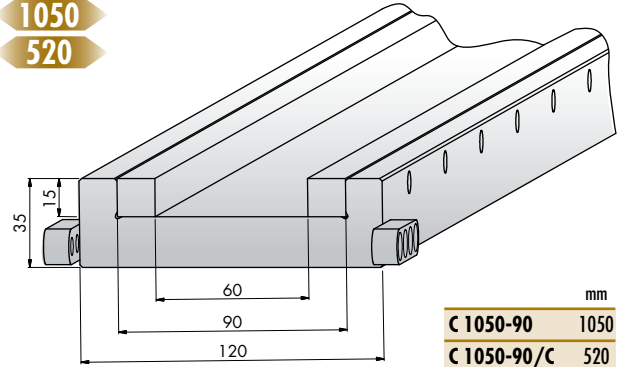
1050  
520



|            | mm   |
|------------|------|
| C1050/RS   | 1050 |
| C1050/RS/C | 520  |

## C 1050-90 C45

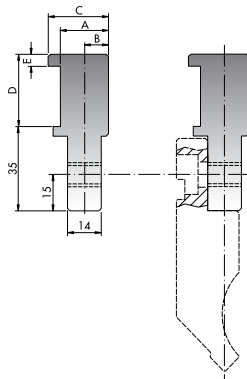
1050  
520



|             | mm   |
|-------------|------|
| C 1050-90   | 1050 |
| C 1050-90/C | 520  |

## INT35 C45

835 805  
415

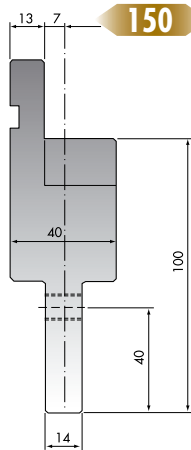


|         | mm  |
|---------|-----|
| INT35   | 835 |
| INT35/C | 415 |
| INT35/F | 805 |

~~L10~~ ~~L15~~ ~~L25~~

## INT100 C45

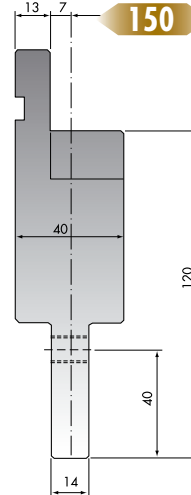
150



|        | max t/m |
|--------|---------|
| INT100 | 100     |

## INT120 C45

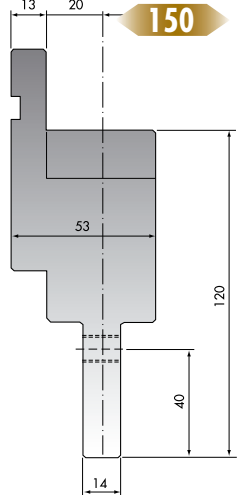
150



|        | max t/m |
|--------|---------|
| INT120 | 100     |

## INT120-40 C45

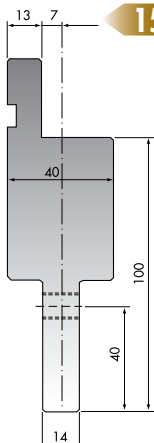
150



|           | max t/m |
|-----------|---------|
| INT120-40 | 100     |

## INT100 FISSO C45

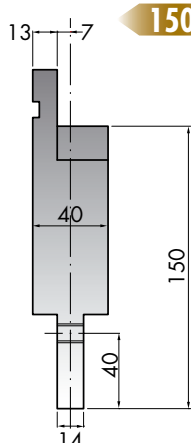
150



|              | max t/m |
|--------------|---------|
| INT100 FISSO | 100     |

## INT150 C45

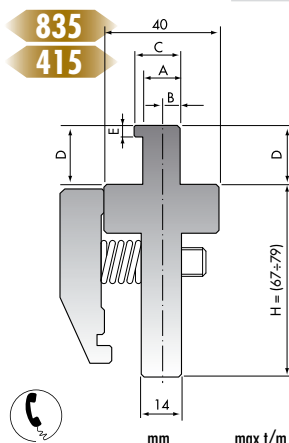
150



|        | max t/m |
|--------|---------|
| INT150 | 100     |

## INT67-79 C45

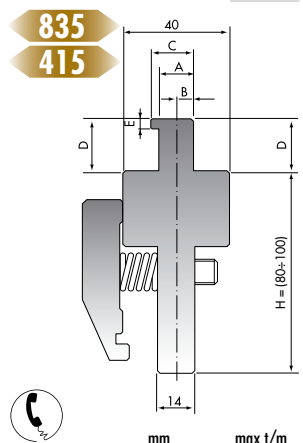
835 415



|            | mm  | max t/m |
|------------|-----|---------|
| INT67-79   | 835 | 100     |
| INT67-79/C | 415 | 100     |

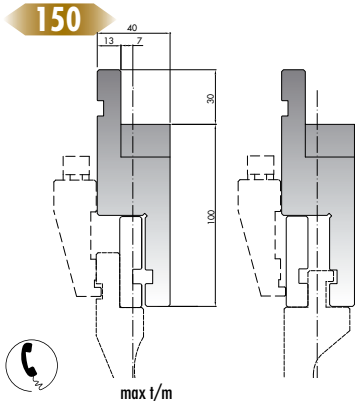
## INT80-100 C45

835 415



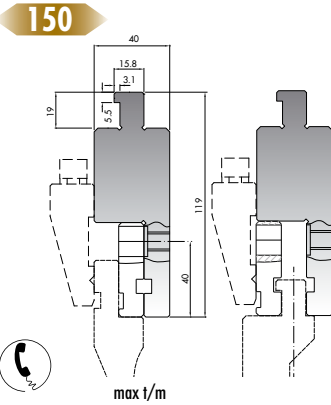
|             | mm  | max t/m |
|-------------|-----|---------|
| INT80-100   | 835 | 100     |
| INT80-100/C | 415 | 100     |

## INT100-N (NEWTON/PROMECAM) C45



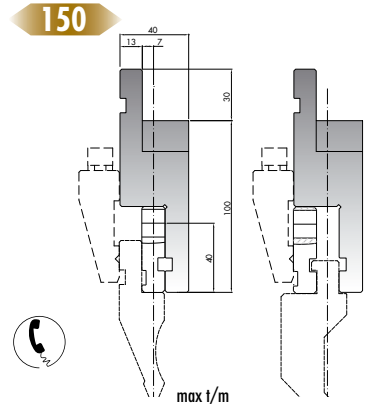
INT100-N 100

## INT100-A (AMERICAN) C45



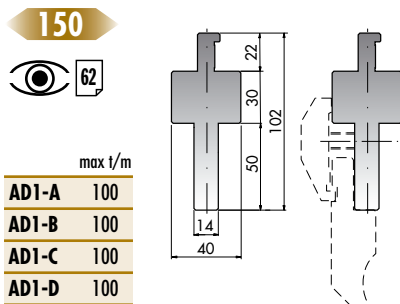
INT100-A 100

## INT100-A (PROMECAM) C45



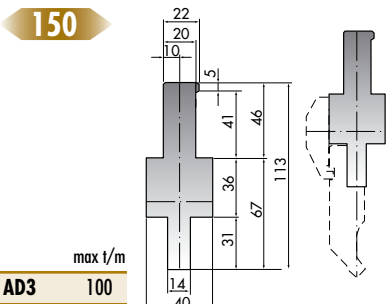
INT100-A PROMECAM 100

## AD1-A=AD1-D (LVD/PROMECAM) C45



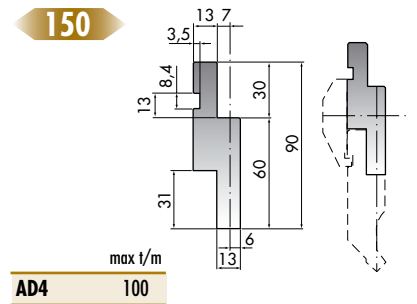
|       |     |
|-------|-----|
| AD1-A | 100 |
| AD1-B | 100 |
| AD1-C | 100 |
| AD1-D | 100 |

## AD3 (BEYLER S/PROMECAM) C45



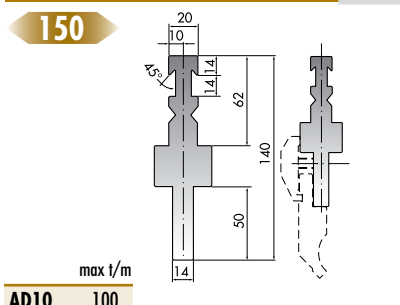
AD3 100

## AD4 (PROMECAM) C45



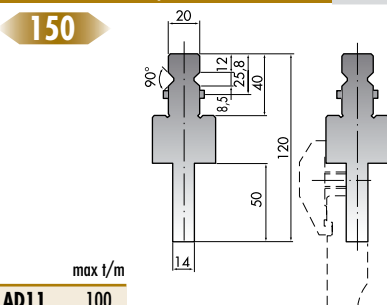
AD4 100

## AD10 (BEYLER RF-A/PROMECAM) C45



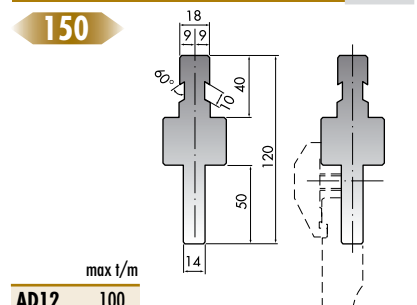
AD10 100

## AD11 (TRUMPF/PROMECAM) C45



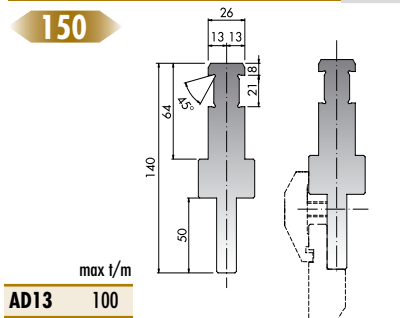
AD11 100

## AD12 (COLGAR/PROMECAM) C45



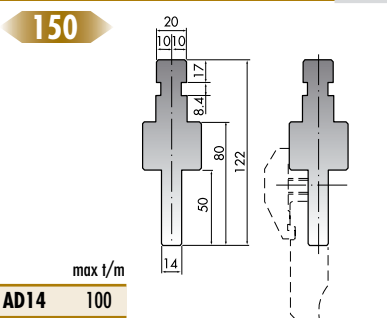
AD12 100

## AD13 (EHT/PROMECAM-AMADA) C45



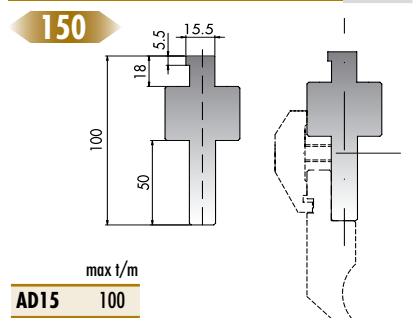
AD13 100

## AD14 (GASPARINI/PROMECAM) C45



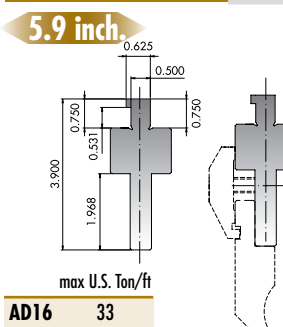
AD14 100

## AD15 (AJIAL-AXIAL/PROMECAM) C45



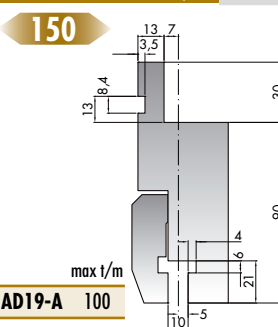
AD15 100

## AD16 (AMERICAN/PROMECAM) C45



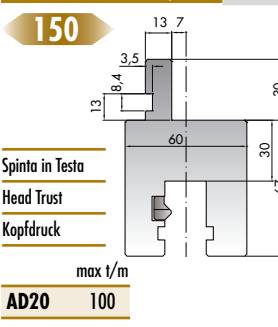
AD16 33

## AD19-A (PROMECAM/LVD) C45



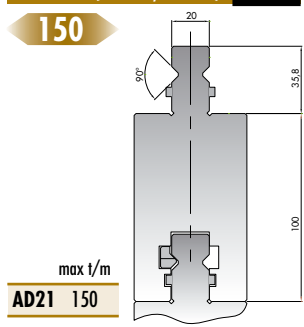
AD19-A 100

## AD20 (PROMECAM/WILA) C45



AD20 100

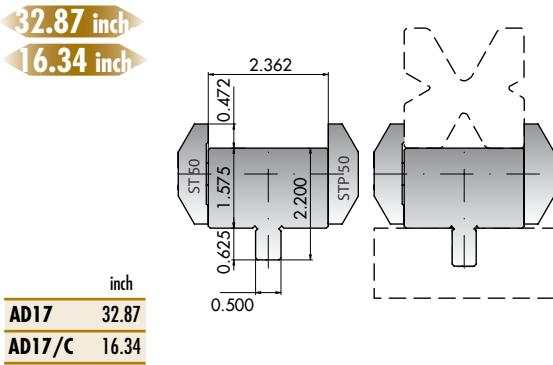
## AD21 (TRUMPF/TRUMPF) 42Cr



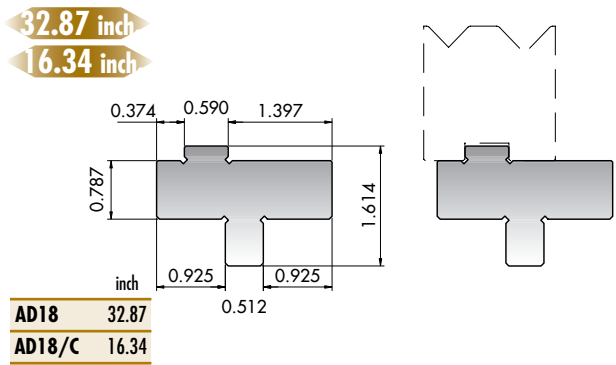
AD21 150



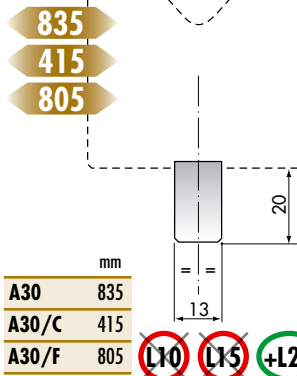
## AD17 (AMERICAN/PROMEAM-AMADA) C45



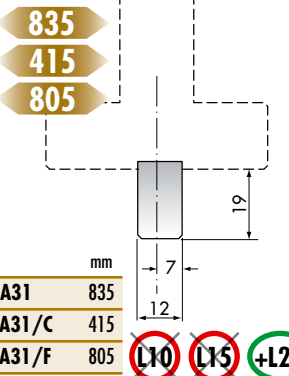
## AD18 (AMERICAN/PROMEAM-AMADA) C45



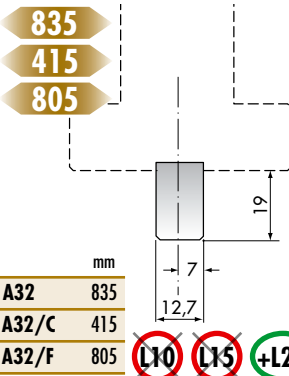
## A30 (TRUMPF-BEYELER/PROMEAM) 835 415 805



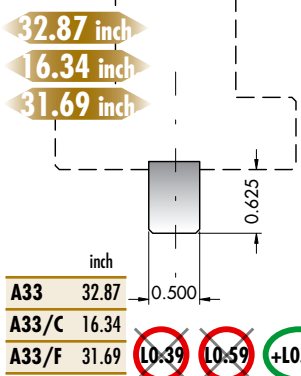
## A31 (LVD/PROMEAM-AMADA) 835 415 805



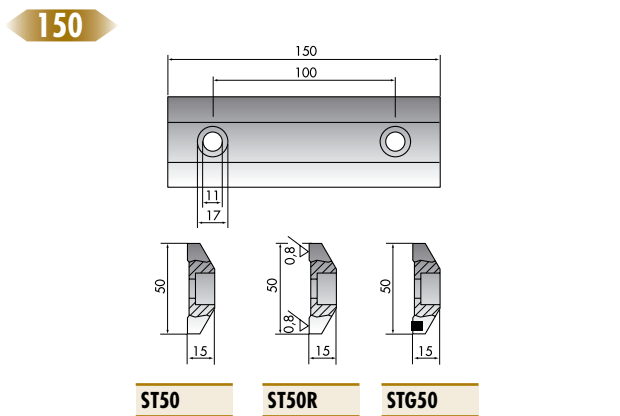
## A32 (LVD/PROMEAM-AMADA) 835 415 805



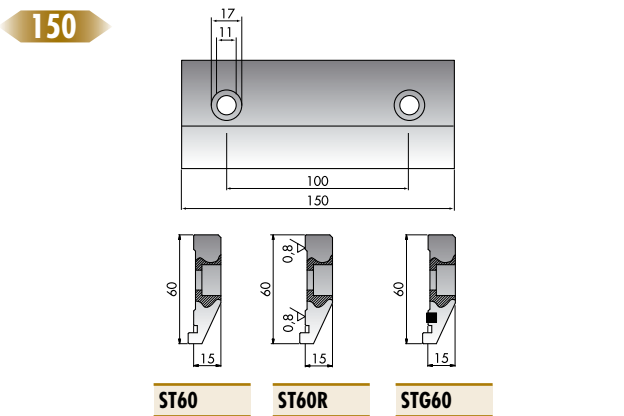
## A33 (AMERICAN/PROMEAM) 32.87 inch 16.34 inch 31.69 inch



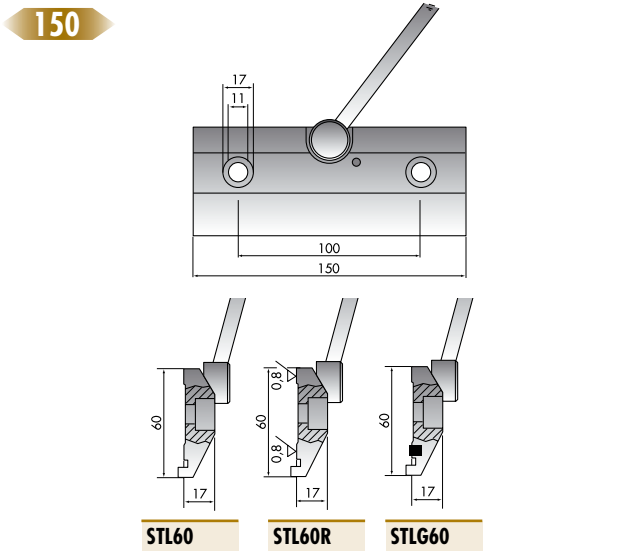
## ST50 ST50R STG50 Fe37



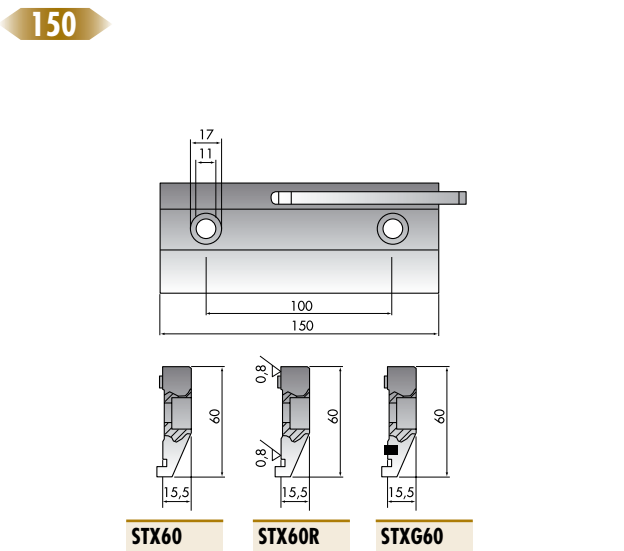
## ST60 ST60R STG60 Fe37



## STL60 STL60R STLG60 Fe37

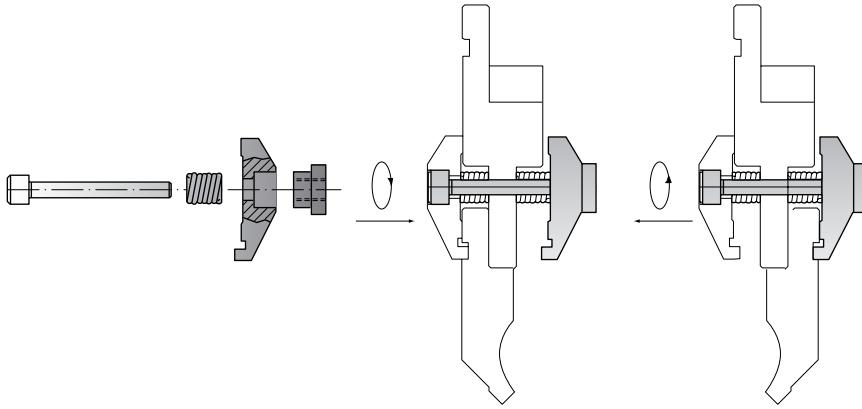


## STX60 STX60R STXG60 Fe37



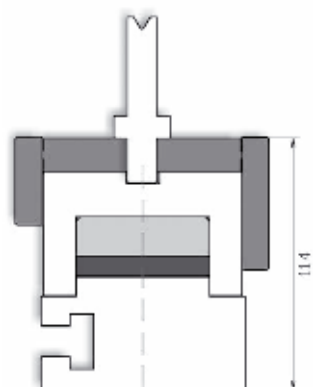
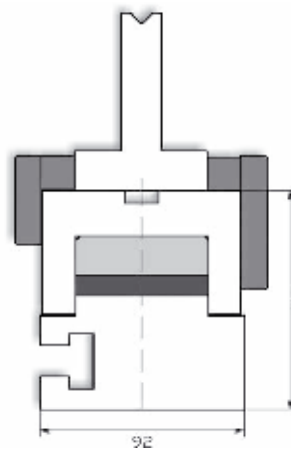
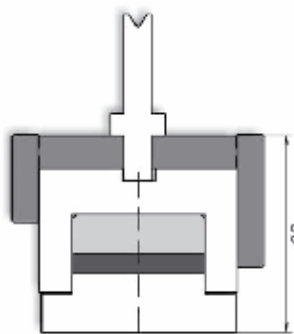
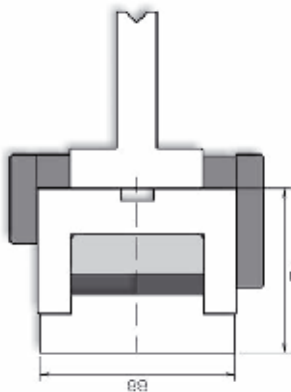
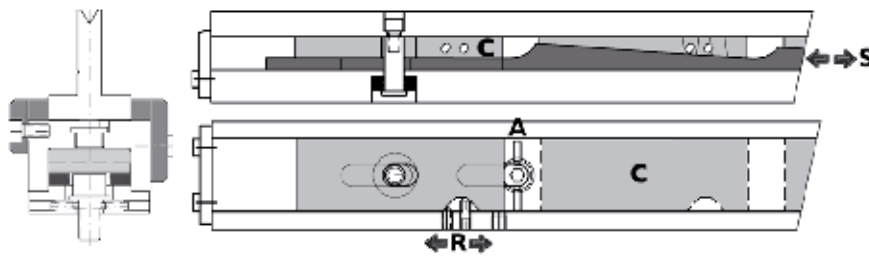
# RETROFITTING

KDS



KDS

## CROWNING SYSTEM



RETROFITTING

C45 560-710 N/mm<sup>2</sup>

42Cr 900-1150 N/mm<sup>2</sup>

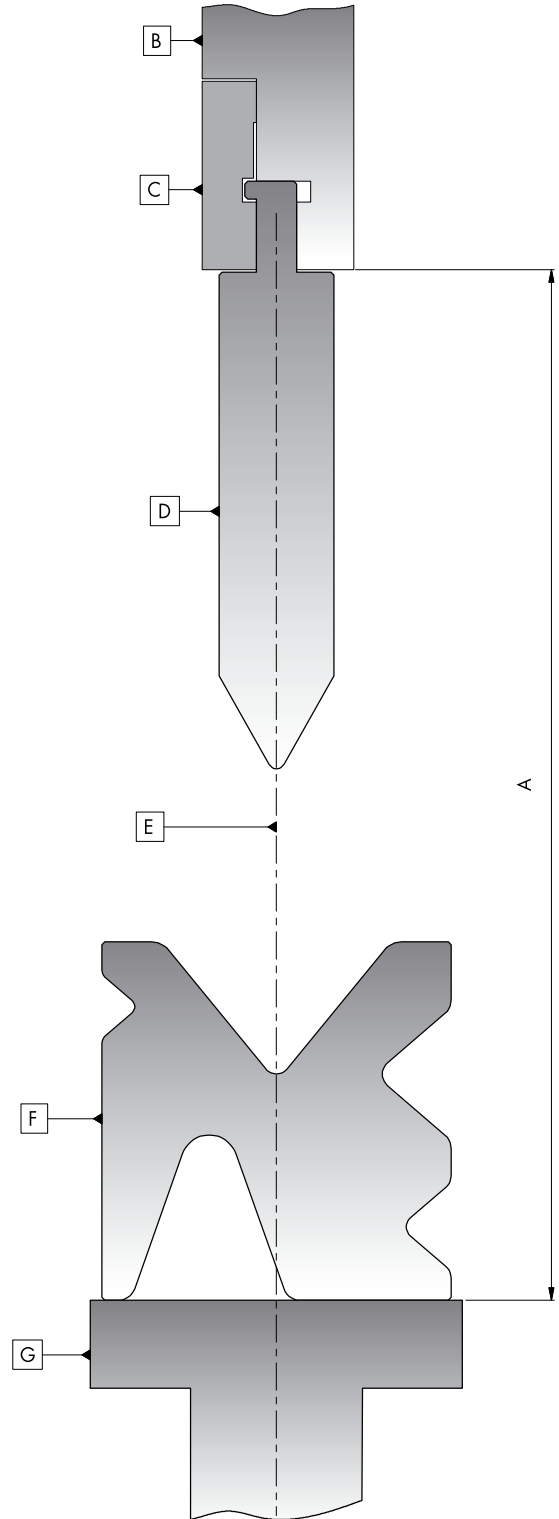
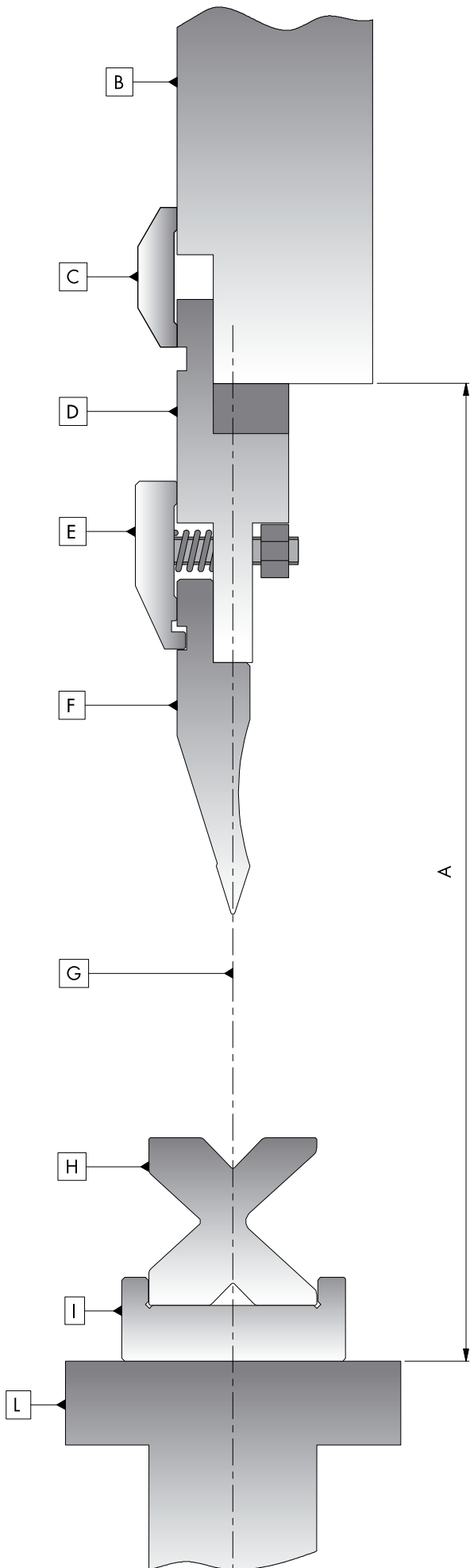
[www.rolleritools.com](http://www.rolleritools.com)

85

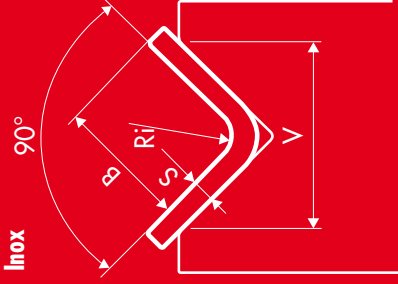








| 42 kg/mm <sup>2</sup> |     |     |     |     |     |     |      |     |      |     |    |      |    |    |     |      |     |     |     |    |  |
|-----------------------|-----|-----|-----|-----|-----|-----|------|-----|------|-----|----|------|----|----|-----|------|-----|-----|-----|----|--|
| S<br>mm               | 4   | 5   | 6   | 8   | 10  | 12  | 16   | 20  | 25   | 32  | 40 | 50   | 63 | 80 | 100 | 125  | 160 | 200 | 250 | V  |  |
|                       | 3   | 3,5 | 4   | 5,5 | 6,5 | 8   | 10,5 | 13  | 16,5 | 21  | 26 | 32,5 | 41 | 52 | 65  | 81,5 | 104 | 130 | 163 | B  |  |
|                       | 0,5 | 0,7 | 0,8 | 1   | 1,3 | 1,5 | 2    | 2,5 | 3,2  | 4,4 | 5  | 6,5  | 8  | 10 | 12  | 15   | 20  | 25  | 37  | Ri |  |
| 0,6                   | 6   | 5   | 3   | 2   |     |     |      |     |      |     |    |      |    |    |     |      |     |     |     |    |  |
| 0,8                   | 12  | 9   | 7   | 5   | 4   |     |      |     |      |     |    |      |    |    |     |      |     |     |     |    |  |
| 1                     | 15  | 11  | 8   | 6   | 5   |     |      |     |      |     |    |      |    |    |     |      |     |     |     |    |  |
| 1,2                   | 18  | 12  | 9   | 7   | 5   |     |      |     |      |     |    |      |    |    |     |      |     |     |     |    |  |
| 1,5                   | 21  | 15  | 12  | 8   | 6   |     |      |     |      |     |    |      |    |    |     |      |     |     |     |    |  |
| 2                     | 30  | 23  | 16  | 12  | 9   |     |      |     |      |     |    |      |    |    |     |      |     |     |     |    |  |
| 2,5                   | 39  | 27  | 20  | 14  | 11  |     |      |     |      |     |    |      |    |    |     |      |     |     |     |    |  |
| 3                     | 43  | 31  | 23  | 16  | 12  |     |      |     |      |     |    |      |    |    |     |      |     |     |     |    |  |
| 4                     | 60  | 44  | 32  | 23  | 18  |     |      |     |      |     |    |      |    |    |     |      |     |     |     |    |  |
| 5                     | 76  | 54  | 39  | 29  | 22  |     |      |     |      |     |    |      |    |    |     |      |     |     |     |    |  |
| 6                     | 85  | 62  | 45  | 33  | 25  |     |      |     |      |     |    |      |    |    |     |      |     |     |     |    |  |
| 8                     | 121 | 88  | 70  | 46  | 35  |     |      |     |      |     |    |      |    |    |     |      |     |     |     |    |  |
| 10                    | 151 | 109 | 79  | 58  | 44  |     |      |     |      |     |    |      |    |    |     |      |     |     |     |    |  |
| 12                    | 173 | 124 | 91  | 66  | 50  |     |      |     |      |     |    |      |    |    |     |      |     |     |     |    |  |
| 15                    | 213 | 155 | 113 | 81  | 62  |     |      |     |      |     |    |      |    |    |     |      |     |     |     |    |  |
| 20                    | 302 | 220 | 158 | 115 | 89  |     |      |     |      |     |    |      |    |    |     |      |     |     |     |    |  |
| 25                    | 378 | 269 | 197 | 144 | 110 |     |      |     |      |     |    |      |    |    |     |      |     |     |     |    |  |





**Rolleri SpA**  
I-29020 Vigolzone (PC) - Italia  
Via Artigiani, 18  
Tel. +39 0523 870905  
Fax +39 0523 879030  
E-mail: sales@rolleri.it

**Rolleri Deutschland GmbH**  
Fritz-Volbach-Straße 2 A-C  
51688 Wipperfürth  
Tel. 0800-7655374  
Email: info@rolleri.de

**Rolleri Do Brasil**  
Rua Izidoro Moretto, 1617  
Bairro Pio X  
CEP: 95034-080  
Caxias do Sul  
RS  
Brasil  
E-mail: info@rolleri.com.br

**Rolleri Tools India Limited**  
E-44 Focal Point  
Jalandhar  
144 004 (PB)  
India  
E-mail: sales@rolleriindia.com