

# HAND TOOLS



CLAMPING. SCREWING. LOCKING.



## WE GENERATE EXCITEMENT.

Since its founding by Andreas Maier in 1890, our company has lived through many exciting times. Today we are the leading manufacturer in Europe, supplying over 5,000 different products from the fields of clamping, screwing and locking. With this extensive product range we can meet all of our customers' needs and requirements. But providing optimal quality means meeting the challenges at all levels: Expert consultation, modern team organisation, individual solutions (including special developments), flexibility in response to changing conditions, etc. And we ourselves find this so exciting that we look forward every day to shaping the market together with our employees and our customers – both now and in the future. That is something you can count on.

### COMPANY HISTORY

- 1890** Company founded by Andreas Maier as a lock manufacturer.
- 1920** Production program extended to include spanners.
- 1928** Production-line assembly of „FELLBACH LOCKS“.
- 1951** With the introduction of clamping elements, AMF diversified into the fields of workpiece and tool clamping.
- 1965** Toggle clamps extend the AMF product range. AMF catalogues are now published in ten languages.
- 1975** Hydraulic clamping marks further specialisation.
- 1982** Clamping and fixture systems round off AMF's clamping expertise.
- 1996** Introduction of the AMF Team Organisation in all business sectors. Quality assurance certified to ISO 9001.
- 2001** Introduction of the AMF Service Guarantee for all products.
- 2004** Introduction of the ZPS zero-point clamping system.
- 2007** The magnetic clamping technology extend the AMF product range.
- 2009** Development and marketing of AMF Vacuum clamping technology



#### 5 Individual development

You cannot find the product you need? Talk to us; we will find the right solution for you – from a special version, right through to a completely new development.

#### 4 Warranty

We believe in the high quality of our products. Complaints are dealt with quickly, unbureaucratically and generously – as far as possible, even well-beyond the guarantee period.

#### 3 Certified quality

AMF stands for painstaking production in our own works. We have followed this tradition since 1890 – today, of course, with a modern quality assurance system to ISO 9001.

#### 2 Short delivery times

From the AMF finished-product stores with over 5,000 articles, we can supply 98 % of orders from stock. And you can be sure that every stock article ordered is dispatched the same day.

#### 1 Real technical advice

Many tasks and a multitude of solutions. From AMF Professional Products you can find the right way to solve your problem – fast and reliably – either at your local dealer or with the help of the specialist in our team. Just call us!

#### E Made in Germany

It goes without saying that our range of products is developed and manufactured by our team of employees in Germany.

#### MANAGING DIRECTORS

> Johannes Maier  
Volker Göbel

#### THE AMF SERVICE GUARANTEE

> Assuredly on the way to the top

#### PRODUCTS ON THE COVER

Ball-ended hexagon key 100° n° 911LG-H100, page 27 · Hinged hook wrench with nose n° 775SNI, page 46

<b>HEXAGON KEYS (METRIC)</b>		<b>9 - 21</b>
<b>BALL -ENDED HEXAGON KEYS (METRIC), WITH PILOT, 100° BEND ANGLE</b>		<b>22 - 32</b>
<b>HEXAGON KEYS (INCH)</b>		<b>33 - 36</b>
<b>TORX-SCREWDRIVERS</b>		<b>37 - 41</b>
<b>HOOK WRENCHES</b>		<b>42 - 50</b>
<b>PIN WRENCHES, WRENCH FOR 2 HOLE NUTS</b>		<b>51 - 54</b>
<b>WRENCHES FOR MACHINE TOOLS</b>		<b>55 - 58</b>
<b>SOCKET WRENCHES</b>		<b>59 - 62</b>
<b>OPEN-ENDED SPANNERS, COUPLING WRENCHES</b>		<b>63 - 64</b>
<b>OPEN-ENDED SPANNERS, CUSTOMER SPECIALS</b>		<b>65 - 67</b>



**COLOR BALL-ENDED  
HEXAGON KEY**

No. 911LG-HM9F, Page 24

**NEW!**



**TORX  
KEY HOLDER**

No. 908L-HT13C, Page 41



**BALL-ENDED  
HEXAGON KEY 100°**

No. 911LG-H100, Page 27

**NEW!**



**KEY HOLDER (METRIC)**

No. 911L-HM9D, Page 21



**COLOR BALL-ENDED  
HEXAGON KEY 100°**

No. 911LG-H100F, Page 27

**NEW!**



**HINGED HOOK WRENCH**  
WITH PIN AND NOSE, INDUSTRIAL VERSION  
No. 776D and 775D, Page 48 - 49



**NEW!**

**HINGED PIN WRENCH**  
FOR NUTS WITH 2 HOLES WITH  
TORQUE-WRENCH FITTING  
No. 764Md, Page 53



**ADJUSTABLE  
FACE SPANNER SET**  
No. 758S, Page 51



**CUSTOMER SPECIALS**  
INDIVIDUAL - TO YOUR SPECIFIC REQUIREMENTS  
Page 65-67

## **YOU NEED AN ADVERTISING OR COMPANY IMPRINT? NO PROBLEM!**

All conventional or T-handle screwdrivers in this catalogue can be printed with your individual advertising or company imprint in any desired colour, or in several colours, using the very economical tampon printing process.

If you need a quotation for larger quantities, please let us know how many you require and give details of your imprint (single or multicoloured).



## **SPECIAL TOOLS MADE TO YOUR SPECIFIC REQUIREMENTS!**

We will manufacture special tools in an extraordinary variety of forms and sizes to the very highest quality.

### **MADE-TO-MEASURE.**

One of our specialities is the manufacturer of special hand tools to the individual needs of the customer.

Technical perfection is our standard!

### **THE CONSEQUENCES OF THIS QUALITY:**

- long working life
- precise application of force, and thus
- the greatest possible safety for the user

The latest production methods in our own works. If you need it, we can make it! More starting on page 65!



Subject to technical alterations.

## 1 > QUALITY FROM AMF

There are very good reasons why a discriminating user should choose the best quality screwdriving tools:

- > rigorous quality control ensures uniform standards;
- > seen as a whole, more economical, because the unproductive time spent while tools are issued is reduced to the essential minimum;
- > in sizes up to ca. 6 A/F, the torque that can be applied by hand may be higher than the test torque that is specified in the relevant standard, with the result that:
  - the wrench deforms, but only breaks under very unfavourable conditions,
  - a modest, but valuable contribution is made to safety in the workplace;
- > the true value of quality tools can only be seen in real, practical use.



## 2 > MATERIAL

Highly alloyed chrome-vanadium steel

- > tested steel sections in verifiably uniform quality from trusted suppliers ensure low wear for a long working-life.

## 3 > MANUFACTURE

- > End faces machined
- > End face up to 10 mm jaw opening chamfered process-sure
- > inspection by sampling at all stages of production

## 4 > EXECUTION

Hardness to DIN standards

- > the values of minimum torque specified for tightening screws up to grade 12.9 are achieved or exceeded.

## 5 > SURFACE FINISH

- > blued (version C)
- > nickel-plated (version D)



## AN ATTRACTIVE, PRACTICAL AND HANDY ADVERTISING MEDIUM!

In your contacts with customers, there will frequently be occasions when a token of appreciation is helpful.

The SCHRAUB-boy is a sure way of achieving customer awareness. It is not only attractive, practical and handy, but also of outstanding quality. The body can be supplied in other RAL colours. All SCHRAUB-boys can be supplied, in quantities of 100 or more, printed with your company or advertising imprint (in one or more colours) applied by the tampon printing process, just as you require.

Give your business partners a SCHRAUB-boy Real quality as an advertising medium will bring you recognition and long-term success.



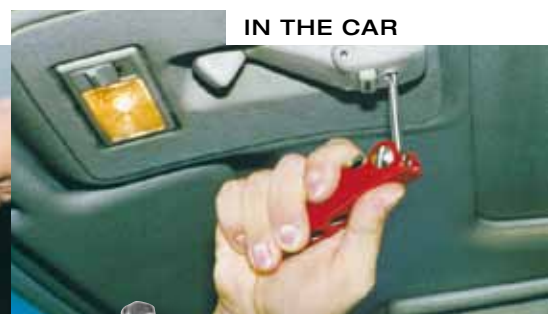
The SCHRAUB-boy is a super-practical mini-workshop in pocket-knife format. There are three different versions (ballended or TORX version – see Cat. pages 30 and 41). A really useful addition to professional and d-i-y toolkits. A single tool that fits in the palm of your hand and can perform up to 14 functions. Socket, TORX, or Philips screws are no problem, and, when refreshment is called for, there is even a bottle opener.



BICYCLE ASSEMBLY



MACHINE TOOL



IN THE CAR



ASSEMBLING SHOW STANDS



FURNITURE INSTALLATION



AND OF COURSE ...

Subject to technical alterations.



## No. 910

### SCHRAUB-boy (metric)

Blades: CHROM VANADIUM, hardened and **nickel-plated**.  
Body: powder-coated steel.

Order no.	Size	L x W x H	Weight [g]
44875	M6	95 x 28 x 25	180
44800	M8	95 x 28 x 25	180

### Application:

The SCHRAUB-boy is a super-practical mini-workshop in pocket-knife format. There are four different versions (for TORX and ball-ended version, see No. 909ET8 and 909EG7). A really useful addition to professional and d-i-y toolkits. A single tool that fits in the palm of your hand and can perform up to 14 functions. Hexagon, TORX or Philips screw are no problem. And when refreshment is called for, there is even a bottle opener.



### Dimensions:

Order no.	ISO 2936	DIN ISO 8764	sim. DIN5264	DIN 659
44875	2, 2.5, 3, 4, 5 mm	1 + 2	0.5x3.5, 1x7 mm	7, 8, 10, 13 mm
44800	1.5, 2, 2.5, 3, 4, 5, 6 mm	1	1x7 mm	7, 8, 10, 13 mm

## No. 906M

### Biketool

16-piece multi-purpose tool in pocket format. A professional tool specially for the cyclist, for rapid repair after any breakdown.  
Tools: hardened and **blued**.  
Case: two-component body.

Order no.	L x W x H	Weight [g]
45666	90 x 50 x 32	260

### Design:

7 Hexagon keys:  
2 - 2.5 - 3 - 4 - 5 - 6 and 8 mm A/F  
2 Screwdrivers: + PH2 / - 1 x 5  
3 Socket spanners: 8 - 9 - 10 mm  
3 Open-ended spanners: 8 - 10 - 15 mm  
1 Spoke key: 14 G.





## THE ADVANTAGES OF THE 2-COMPONENT HANDLES:

- > new, ergonomic 2-component handle
- > grip shape optimised for comfortable use
- > easy tightening when applying full torque
- > high-quality, impact-resistant, cadmium-free plastic.

### No. 906QE

#### Hexagon key (metric) with ergonomic 2-component T-grip

Blade: CHROME VANADIUM, hardened and nickel-plated.  
Grip: impact-resistant plastic (cadmium-free), black/red.



Order no.	SW [mm]	SW [Zoll]	L1	B	L	Weight [g]
49007	2,0	5/64	100	80	125	18
49015	2,5	2,5	100	80	125	24
49023	2,5	2,5	150	80	175	27
49031	2,5	2,5	200	80	225	30
49049	3	3	100	80	125	24
49056	3	3	150	80	175	30
49064	3	3	200	80	225	40
49072	3	3	350**	100	381	117
49080	4	5/32	100	80	125	31
49098	4	5/32	150	80	175	36
49106	4	5/32	200	80	225	41
49114	4	5/32	300	80	325	50
49122	4	5/32	350**	100	381	117
49130	5	5	100	100	131	51
49148	5	5	150	100	181	60
49155	5	5	200	100	231	68
49163	5	5	350	100	381	100
49171	5	5	450**	100	488	240
49189	6	6	100	100	131	58
49197	6	6	150	100	181	77
49205	6	6	200	100	231	84
49213	6	6	350	100	381	130
49221	8	5/16	100	100	131	85
49239	8	5/16	150	100	181	105
49247	8	5/16	200	100	231	125
49254	8	5/16	350	100	381	200
49262	10	10	100	100	138	165
49270	10	10	200	100	238	223
49288	10	10	350	100	388	350

\*\* With reinforced blade

#### Advantage:

Hexagon keys with new ergonomic 2-component T-grip set apart by:

- grip shape optimised for comfortable use
- easy tightening when applying full torque
- high-quality, impact-resistant, cadmium-free plastic
- hang-up hole for a tidy workplace.

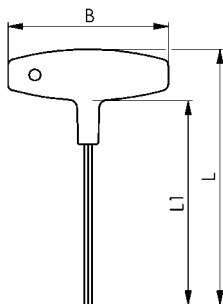
#### Note:

Please see also workshop stands no. 906QE-WM7.

#### On request:

Advertising or company imprint?

These conventional or T-grip keys are particularly suitable for printing with your individual advertising or company logo using the tampon printing process. If you need larger quantities, ask for our quotation. Please state the quantity required and printing details (one or more colours).

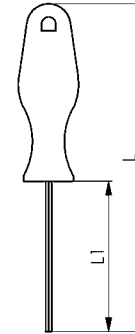


## No. 906E

### Hexagon key (metric) with ergonomic 2-component screwdriver grip

Blade: CHROME VANADIUM, hardened and **nickel-plated**.  
Grip: impact-resistant plastic (cadmium-free), black/red.

Order no.	SW [mm]	L1	L	Weight [g]
40931	2,0	60	150	34
40949	2,5	75	165	36
40956	3,0	75	165	38



## No. 906QE-WM7

### Workshop stand (metric)

with 2-component T-grip hexagon keys no. 906QE, metric, 7-piece set.

Blades: CHROME VANADIUM, hardened and **nickel-plated**.

Grip: impact-resistant plastic (cadmium-free), black/red.

Stand: single-grade, impact-resistant **plastic** with clips for connecting further workshop stands.

Order no.	Contents: A/F x blade length L1	Weight [g]
49577	2x100, 2,5x100, 3x150, 4x150, 5x150, 6x200, 8x200	650

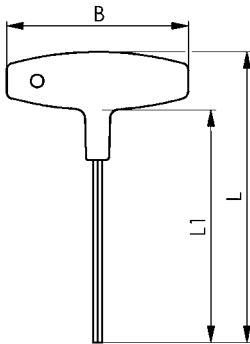


Subject to technical alterations.

## No. 906Q

### Hexagon keys (metric) with T-grip

Key: CHROM VANADIUM, hardened and **nickel-plated**.  
Grip: impact-resistand plastic (cadmium-free), red.



Order no.	SW [mm]	SW [Zoll]	L1	B	L	Weight [g]
42242	2	5/64	100	80	125	18
42259	2,5	2,5	100	80	125	24
44958	3	3	100	80	125	24
44966	3	3	150	80	175	30
44974	3	3	200	80	225	40
44982	4	5/32	100	80	125	31
44990	4	5/32	150	80	175	36
45005	4	5/32	200	80	225	41
45013	5	5	100	100	131	51
42218	5	5	150	100	181	60
45021	5	5	200	100	231	68
45039	6	6	100	100	131	58
45047	6	6	150	100	181	77
45054	6	6	200	100	231	84
45062	8	5/16	100	100	131	85
45070	8	5/16	150	100	181	105
42234	8	5/16	200	100	231	125
45096	10	10	200	120	238	223
45112	12	12	200	120	238	307

#### Advantage:

Hexagon keys with ergonomic T-grip with:  
- shape of grip optimised for comfortable use  
- permits sensitive tightening with full torque  
- hole for hanging up, for a tidy workplace.

#### Note:

Please see also workshop stands no. 906-WM\*\*.

#### On request:

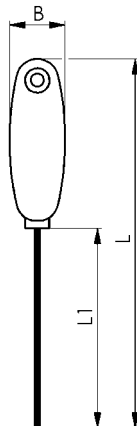
Advertising or company imprint?

These conventional or T-handle screwdrivers are specially suitable for printing with your individual advertising or company imprint using the economical tampon printing process. If you need larger quantities, ask for our quotation. Please state the quantity required and printing details (one or more colours).

## No. 906

### Hexagon keys (metric) with screwdriver handle

Blade: CHROME VANADIUM, hardened and **nickel-plated**.  
Grip: impact-resistant plastic (cadmium-free), red.



Order no.	SW [mm]	L1	B	L	Weight [g]
42200	1,5	90	25	166	18
42168	2,0	90	25	166	21
42184	2,5	90	25	166	24
42192	3,0	90	25	166	26

## No. 906-WM7M

### Workshop stand (metric), metal

with no. 906 screwdriver-handle keys, and no. 906Q T-grip keys (metric), 7-piece set.

Blades: CHROME-VANADIUM, hardened and **nickel-plated**.

Grips: impact-resistant plastic (cadmium-free), red.

Stand: powder-coated **metal**.



Order no.	Contents: A/F x blade length L1	Weight [g]
42283	906-2x90, 2,5x90, 3x90; 906Q-4x150, 5x150, 6x200, 8x200	1030

## No. 906Q-WM7

### Workshop stand (metric)

with T-grip hexagon keys no.906Q, metric, 7-piece set.

Blades: CHROME VANADIUM, hardened and **nickel-plated**.

Grip: impact-resistant plastic (cadmium-free), red.

Stand: single-grade, impact-resistant **plastic** with clips for connecting further workshop stands.



Order no.	Contents: A/F x blade length L1	Weight [g]
42606	2x100, 2,5x100, 3x150, 4x150, 5x150, 6x150, 8x150	575

## No. 906-WM9

### Workshop stand (metric)

with no. 906 screwdriver-handle keys and no. 906Q T-grip keys (metric), 9-piece set.

Blades: CHROME-VANADIUM, hardened and **nickel-plated**.

Grips: impact-resistant plastic (cadmium-free), red.

Stand: single-grade, impact-resistant **plastic** with clips for connecting further workshop stands.



Order no.	Contents: A/F x blade length L1	Weight [g]
42291	906-1,5x, 2x, 2,5x, 3x90; 906Q-4x, 5x150, 6x, 8x, 10x200	860

## APPLICATION OF OUR HEXAGON KEYS TO ISO 2936 DIN 6911 AND BALLEDED KEYS.

The table shows the across-flats sizes of keys for thread sizes (M) and types of screw.

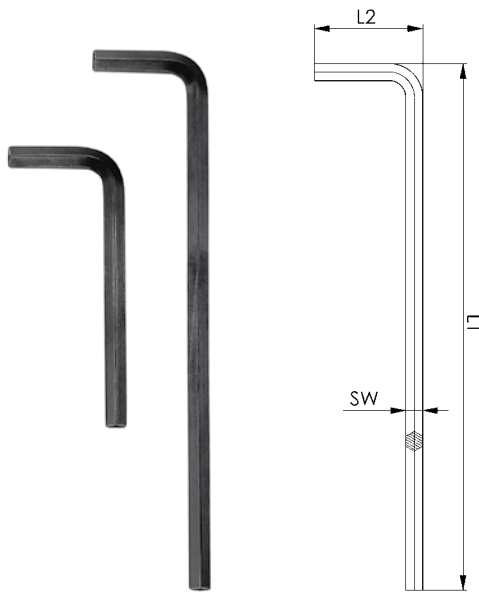
A/F mm	Test torque		Hard- ness HRC	Socket screw standards				
	hexagon Nm	ball-ended Nm		ISO 4762 [DIN 912]	DIN 6912	DIN 7984	ISO 10642 [DIN 7991]	ISO 4026-4029 [DIN 913-916]
0,7	0,08	-	52-55	-	-	-	-	M1,4 M1,6 (M1,8)
0,9	0,18	-		-	-	-	-	M2
1,3	0,53	-		(M1,4)	-	-	-	M2,5
1,5	0,82	0,40		M1,6 M2	-	-	-	M3
2,0	1,90	0,98		M2,5	-	M3	M3	M4
2,5	3,80	1,60		M3	-	M4	M4	M5
3	6,60	2,90		M4	M4	M5	M5	M6
4	16	6,40		M5	M5	M6	M6	M8
5	30	12		M6	M6	M8	M8	M10
6	52	21		M8	M8	-	M10	M12 (M14)
7	80	-	-	-	M10	-	-	
8	120	50	M10	M10	M12	M12	M16	
10	220	92	48-52	M12	M12	M14	M14 M16	(M18) M20
12	370	250		M14	M14	M16 M18	(M18) M20	(M22) M24
14	590	-		M16 M18	M16 M18	M20 M22	(M22 M24)	-
17	980	-		M20	M20 M22	M24	-	-
19	1360	-	45 - 50	M24 (M27)	M24 M27	-	-	-
22	2110	-		M30	M30	-	-	-
24	2750	-		M33	M33	-	-	-
27	3910	-		M36	M36	-	-	-
32	4000	-	M42	-	-	-	-	
36	4000	-	M48	-	-	-	-	

( ) not ISO standard thread

## ISO 2936C

### Hexagon keys (metric)

CHROM VANADIUM, hardened and blued.  
End face machined. Edges of end face chamfered.



Order no.	SW [mm]	L1 x L2 [mm]	Weight [g]
42572	0,7	33 x 7	0,14
42580	0,9	33 x 11	0,2
43067	1,3	41 x 13	0,7
42358	1,5	46,5 x 15,5	0,9
42366	2,0	52,0 x 18,0	1,8
42374	2,5	58,5 x 20,5	3,0
42382	3	66 x 23	5,0
42390	4	74 x 29	10
42408	5	85 x 33	18
42416	6	96 x 38	30
42424	7	102 x 41	43
42432	8	108 x 44	59
42440	9	114 x 47	79
42457	10	122 x 50	103
42465	11	129 x 53	131
42473	12	137 x 57	160
42481	14	154 x 70	260
42499	17	177 x 80	430
42507	19	199 x 89	617
42515	22	222 x 102	920
42523	24	248 x 114	1238
42531	27	277 x 127	1740
42549	30	315 x 142	2410
42556	32	347 x 157	3080
42564	36	391 x 176	4370

The 1.3 A/F key is in fact 1.27 mm, which is precisely 0.05".

## ISO 2936LC

### Hexagon keys (metric), long version

CHROM VANADIUM, hardened and blued.  
End face machined. Edges of end face chamfered.

Order no.	SW [mm]	L1 x L2 [mm]	Weight [g]
43703	1,5	91,5 x 15,5	1,5
43711	2,0	102,0 x 18,0	3,0
43729	2,5	114,5 x 20,5	5,5
43737	3	129 x 23	9,0
43745	4	144 x 29	18
43752	5	165 x 33	32
43760	6	186 x 38	52
43778	7	197 x 41	74
43786	8	208 x 44	100
43794	10	234 x 50	177
43802	12	262 x 57	287
43810	14	294 x 70	440

### On request:

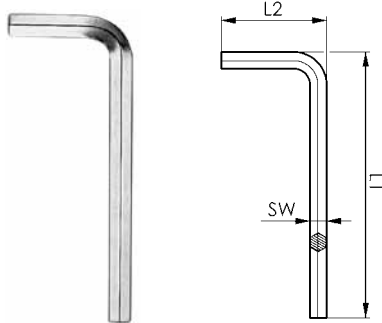
Other lengths and executions on request.

Subject to technical alterations.

## ISO 2936D

### Hexagon keys (metric)

CHROM VANADIUM, hardened and **nickel-plated**.  
End face machined. Edges of end face chamfered.



Order no.	SW [mm]	L1 x L2 [mm]	Weight [g]
43299	1,3	41 x 13	0,7
42630	1,5	46,5 x 15,5	0,9
42648	2,0	52,0 x 18,0	1,8
42655	2,5	58,5 x 20,5	3,0
42663	3	66 x 23	5,0
42671	4	74 x 29	10
42689	5	85 x 33	18
42697	6	96 x 38	30
42705	7	102 x 41	43
42713	8	108 x 44	59
42721	9	114 x 47	79
42739	10	122 x 50	103
42747	11	129 x 53	131
42754	12	137 x 57	160
42762	14	154 x 70	260
42770	17	177 x 80	430
42788	19	199 x 89	617
42796	22	222 x 102	920

The 1.3 A/F key is in fact 1.27 mm, which is precisely 0.05".

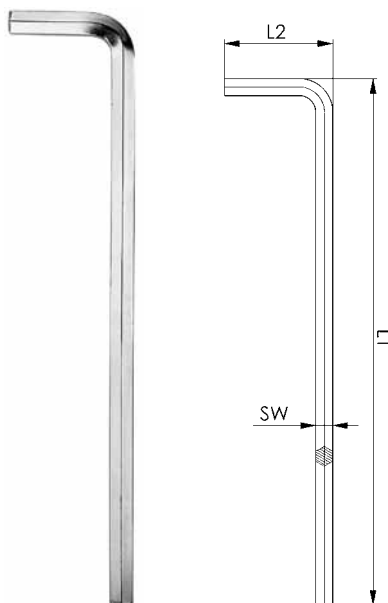
#### On request:

Other lengths and executions on request.

## ISO 2936LD

### Hexagon keys (metric), long version

CHROM VANADIUM, hardened and **nickel-plated**.  
End face machined. Edges of end face chamfered.



Order no.	SW [mm]	L1 x L2 [mm]	Weight [g]
42614	1,5	91,5 x 15,5	1,5
42895	2,0	102,0 x 18,0	3,0
42903	2,5	114,5 x 20,5	5,5
42911	3	129 x 23	9,0
42937	4	144 x 29	18
42945	5	165 x 33	32
42952	6	186 x 38	52
43596	7	197 x 41	74
42960	8	208 x 44	100
42978	10	234 x 50	177
42986	12	262 x 57	287
42994	14	294 x 70	440
43000	17	337 x 80	750
43018	19	379 x 89	1100

#### On request:

Other lengths and executions on request.

## No. 911-WM9M

### Workshop stand (metric), metal

with metric hexagon keys ISO 2936, 9-piece set.  
Key: CHROM VANADIUM, hardened and **nickel-plated**.  
End face machined. Edges of end face chamfered.  
Stand: powder-coated **metal**.

Order no.	Contents: A/F	Weight [g]
44032	2.5, 3, 4, 5, 6, 8, 10, 12, 14 mm	1240



## No. 911L-WM9M

### Workshop stand (metric), metal

with metric hexagon keys ISO 2936L, **long version**, 9-piece set.  
Key: CHROM VANADIUM, hardened and **nickel-plated**.  
End face machined. Edges of end face chamfered.  
Stand: powder-coated **metal**.

Order no.	Contents: A/F	Weight [g]
44040	2.5, 3, 4, 5, 6, 8, 10, 12, 14 mm	1700





## No. 911-WM9

### Workshop stand (metric)

with metric hexagon keys ISO 2936, 9-piece set.  
 Key: CHROM VANADIUM, hardened and **nickel-plated**.  
 End face machined. Edges of end face chamfered.  
 Stand: single-grade, impact-resistant **plastic** with clips for connecting further workshop stands.

Order no.	Contents: A/F	Weight [g]
44065	2.5, 3, 4, 5, 6, 8, 10, 12, 14 mm	840



## No. 911L-WM9

### Workshop stand (metric)

with metric hexagon keys ISO 2936L, **long version**, 9-piece set.  
 Key: CHROM VANADIUM, hardened and **nickel-plated**.  
 End face machined. Edges of end face chamfered.  
 Stand: single-grade, impact-resistant **plastic** with clips for connecting further workshop stands.

Order no.	Contents: A/F	Weight [g]
44099	2.5, 3, 4, 5, 6, 8, 10, 12, 14 mm	1310



## No. 911BM7D

### Key box (metric)

with metric hexagon keys ISO 2936, 7-piece set.  
 Keys: CHROME VANADIUM, hardened and **nickel-plated**.  
 End face machined. Edges of end face chamfered.  
 Box: impact-resistant **plastic** with self-service rack slot.

Order no.	Contents: A/F	L x W x H	Weight [g]
44826	2, 2.5, 3, 4, 5, 6, 8 mm	133 x 72 x 14	175



## No. 911BM10D

### Key box (metric)

with metric hexagon keys ISO 2936, 8-piece set.  
 Keys: CHROME VANADIUM, hardened and **nickel-plated**.  
 End face machined. Edges of end face chamfered.  
 Box: from impact-resistant **plastic** with self-service rack slot.

Order no.	Contents: A/F	L x W x H	Weight [g]
46037	2, 2.5, 3, 4, 5, 6, 8, 10 mm	177 x 88 x 17	320

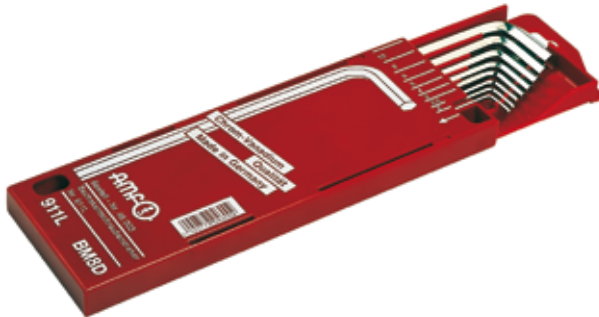


## No. 911L-BM8D

### Key box (metric)

with metric hexagon keys ISO 2936L, **long version**, 8-piece set.  
 Keys: CHROME VANADIUM, hardened and **nickel-plated**.  
 End face machined. Edges of end face chamfered.  
 Box: impact-resistant **plastic** with self-service rack slot.

Order no.	Contents: A/F	L x W x H	Weight [g]
<b>46003</b>	2, 2.5, 3, 4, 5, 6, 8, 10 mm	265 x 88 x 17	535



## No. 911TM

### Key wallet (metric)

with metric hexagon keys ISO 2936, 6, 8 and 10-piece set.  
 Keys: CHROME VANADIUM, hardened and **nickel-plated**.  
 End faces machined. Edges of end face chamfered.  
 Plastic wallet with slot for self-service rack and reusable closure.

Order no.	Size	Contents: A/F	Weight [g]
<b>43851</b>	6	2, 2.5, 3, 4, 5, 6 mm	75
<b>43869</b>	8	2, 2.5, 3, 4, 5, 6, 8, 10 mm	235
<b>43877</b>	10	2, 2.5, 3, 4, 5, 6, 8, 10, 12, 14 mm	660



## No. 911L-TM7

### Key wallet (metric)

with metric hexagon keys ISO 2936L, **long version**, 7-piece set.  
 Key: CHROME VANADIUM, hardened and **nickel-plated**.  
 End faces machined. Edges of end face chamfered.  
 Plastic wallet with slot for self-service rack and reusable closure.

Order no.	Contents: A/F	Weight [g]
<b>43927</b>	2, 2.5, 3, 4, 5, 6, 8 mm	230



## No. 911-HM9C

### Key holder (metric)

with metric hexagon keys ISO 2936, 9-piece set.  
 Keys: CHROME-VANADIUM, hardened and **blued**.  
 End face machined. Edges of end face chamfered.  
 Holder: with slot for self-service rack.

Order no.	Contents: A/F	Weight [g]
89425	1.5, 2, 2.5, 3, 4, 5, 6, 8, 10 mm	245



## No. 911L-HM9C

### Key holder (metric)

with metric hexagon keys ISO 2936L, **long version**, 9-piece set.  
 Keys: CHROME-VANADIUM, hardened and **blued**.  
 End face machined. Edges of end face chamfered.  
 Holder: with slot for self-service rack.

Order no.	Contents: A/F	Weight [g]
89433	1.5, 2, 2.5, 3, 4, 5, 6, 8, 10 mm	415



## No. 911-HMD

### Key holder (metric)

with metric hexagon keys ISO 2936, 9-piece set.  
 Keys: CHROME VANADIUM, hardened and **nickel-plated**.  
 End face machined. Edges of end face chamfered.  
 Holder: with slot for self-service rack.

Order no.	Contents: A/F	Weight [g]
46789	1.5, 2, 2.5, 3, 4, 5, 6, 8, 10 mm	245



## No. 911L-HM9D

### Key holder (metric)

with metric hexagon keys ISO 2936L, **long version**, 9-piece set.  
 Keys: CHROME VANADIUM, hardened and **nickel-plated**.  
 End face machined. Edges of end face chamfered.  
 Holder: with slot for self-service rack

Order no.	Contents: A/F	Weight [g]
46797	1.5, 2, 2.5, 3, 4, 5, 6, 8, 10 mm	415



## DIN 6911D

### Hexagon key (metric) with pilot

for DIN 6912 screws. CHROM VANADIUM, hardened and nickel-plated.



Order no.	SW [mm]	L1 x L2 [mm]	Weight [g]
45377	3	66 x 23	5
45385	4	74 x 29	10
45393	5	85 x 33	18
45401	6	96 x 38	30
45419	8	108 x 44	59
45427	10	122 x 50	103
45435	12	137 x 57	160
45443	14	154 x 70	260
45450	17	177 x 80	430

## No. 6911 BM7

### Key box (metric)

with metric hexagon keys DIN 6911 with pilot for DIN 6912 screws, 7-piece set.

Key: CHROM VANADIUM, hardened and nickel-plated.

Box: impact-resistant plastic.

Order no.	Contents: A/F	L x W x H	Weight [g]
44867	ISO 2936-2, 2.5; DIN 6911-3, 4, 5, 6, 8 mm	133 x 72 x 14	175





## APPLICATIONS

- At angles up to 25°
- > speeds up work in hard-to-reach locations,
- > easy but still precise entry of key into socket.

## MATERIAL

- Highly alloyed chrome-vanadium steel
- > ensures a long working-life, good torque-resistance, and optimum hardness
- > see table on page 14 for test torques.

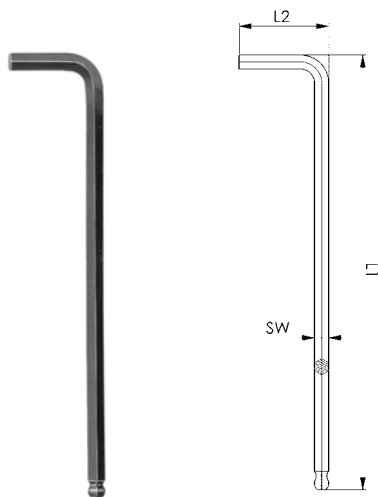
## EXECUTION AND SURFACE FINISH

- hardened, steel-grey (version C)
- hardened and nickel-plated (version D)

### No. 911LG-C

#### Ball-ended hexagon key (metric), long version

CHROM VANADIUM, hardened, steel-grey.

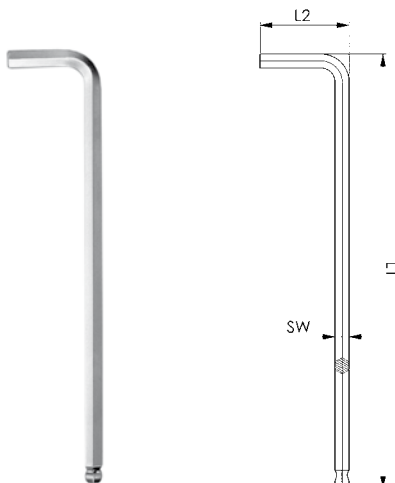


Order no.	SW [mm]	L1 x L2 [mm]	Weight [g]
46086	1,5	91,5 x 15,5	2
45898	2,0	102,0 x 18,0	3
45823	2,5	114,5 x 20,5	6
45831	3	129 x 23	9
45849	4	144 x 29	19
45856	5	165 x 33	34
45864	6	186 x 38	54
45872	8	208 x 44	110
45880	10	234 x 50	190
46060	12	262 x 57	295

### No. 911LG-D

#### Ball-ended hexagon key (metric), long version

CHROM VANADIUM, hardened and nickel-plated.



Order no.	SW [mm]	L1 x L2 [mm]	Weight [g]
47209	1,5	91,5 x 15,5	2
47217	2,0	102,0 x 18,0	3
47225	2,5	114,5 x 20,5	6
47233	3	129 x 23	9
47241	4	144 x 29	19
47258	5	165 x 33	34
47266	6	186 x 38	54
47274	8	208 x 44	110
47282	10	234 x 50	190
47290	12	262 x 57	295

No. 911LG-HM9F

## COLOR ball-ended hexagon key - key holder

9-piece.  
Key: Ball-ended hexagon key **long version** (mm),  
CHROME-VANADIUM, hardened, **nickel-plated** and  
**colour-coded**.

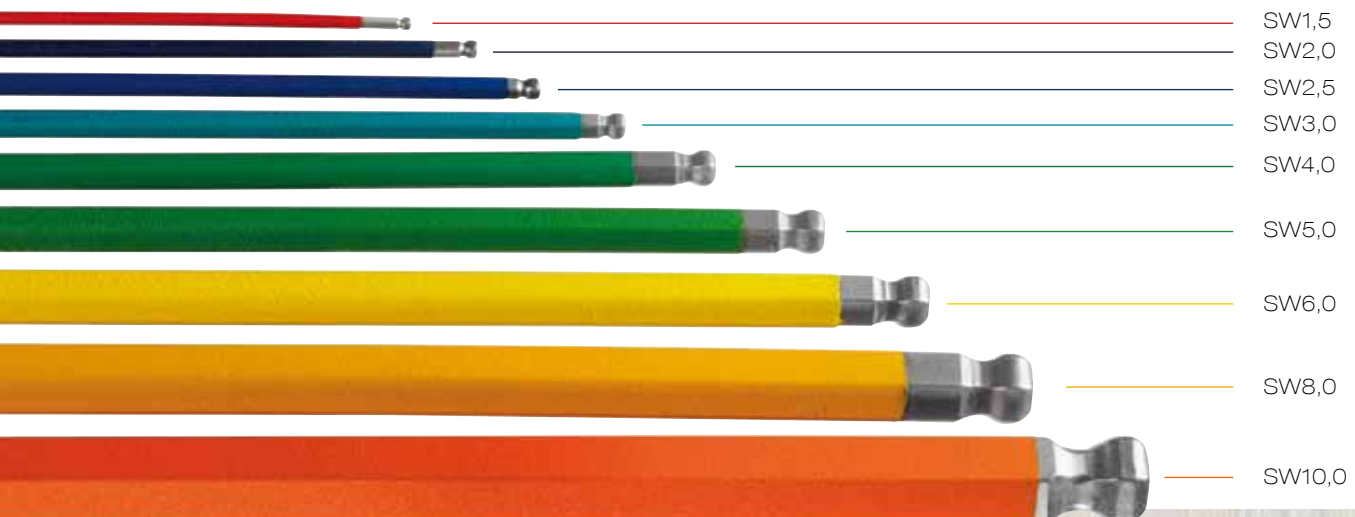
**NEW!**



Order no.	Contents: A/F	Weight [g]
47001	1.5, 2, 2.5, 3, 4, 5, 6, 8, 10 mm	410

### Advantage:

- Find it fast
- powder-coated **colour-coding** by key width
- no more danger of mix-up.



SW1,5

SW2,0

SW2,5

SW3,0

SW4,0

SW5,0

SW6,0

SW8,0

SW10,0

Subject to technical alterations.



## No. 911LG-HMC

### Ball-ended hexagon key - Key holder (metric)

9-piece set.

Keys: ball-ended hexagon keys (metric) no. 911LG, **long version**, CHROME VANADIUM, hardened, **steel-grey**.

Holder: with slot for self-service rack.



Order no.	Contents: A/F	Weight [g]
<b>46524</b>	1.5, 2, 2.5, 3, 4, 5, 6, 8, 10 mm	440

## No. 911LG-HM9D

### Ball-ended hexagon key - Key holder (metric)

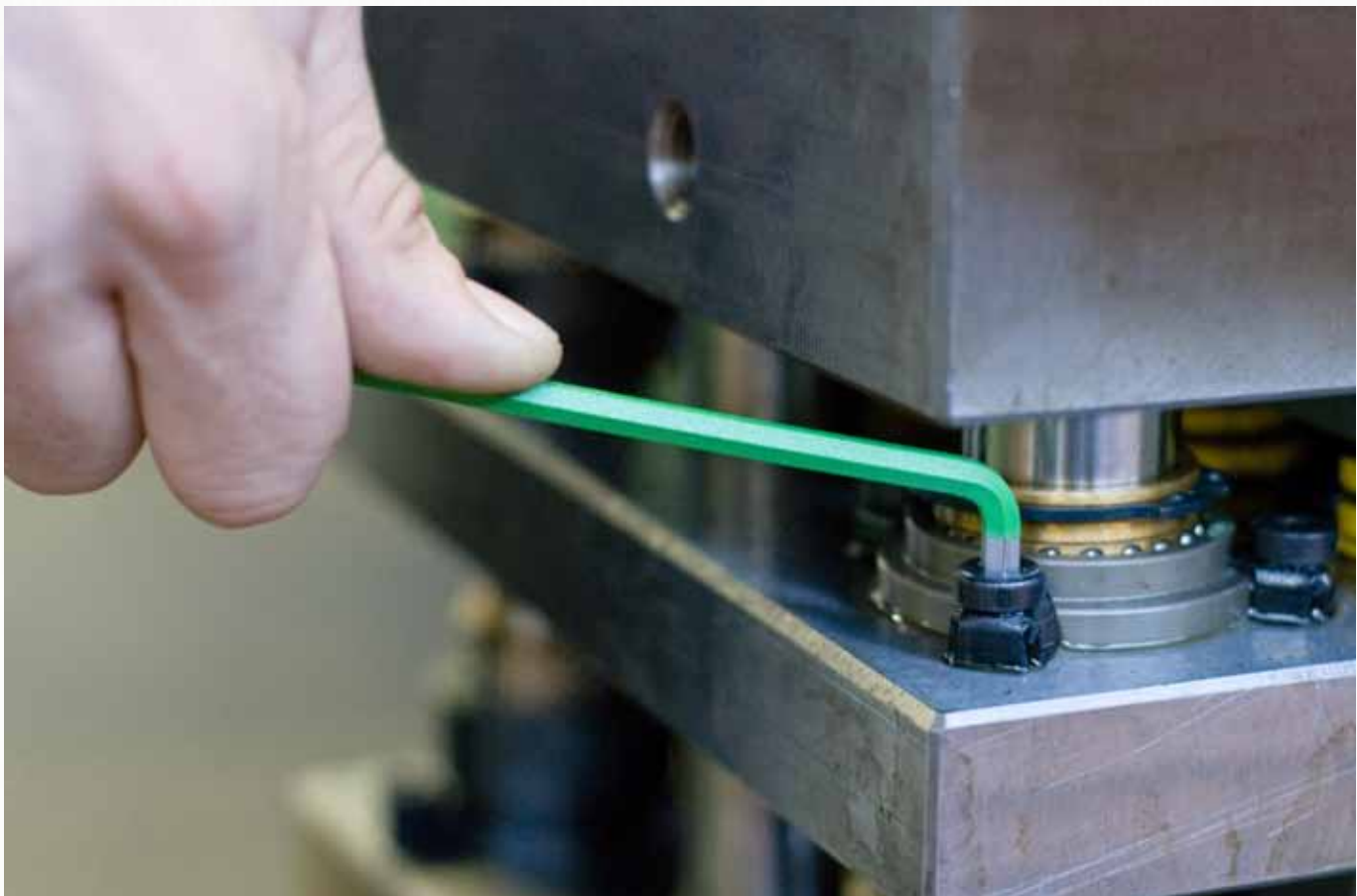
9-piece set.

Keys: ball-ended hexagon keys (metric), no. 911LG, **long version**, CHROME VANADIUM, hardened and **nickel-plated**.

Holder: with slot for self-service rack



Order no.	Contents: A/F	Weight [g]
<b>46805</b>	1.5, 2, 2.5, 3, 4, 5, 6, 8, 10 mm	440



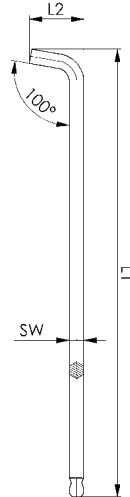
## No. 911LG-H100F

### COLOR ball-ended hexagon key 100° - key holder

9-piece.

Key: Ball-ended hexagon key **long version** (mm), **100° bend angle**, CHROME-VANADIUM, hardened, **chromium-plated** and **colour-coded**.

**NEW!**



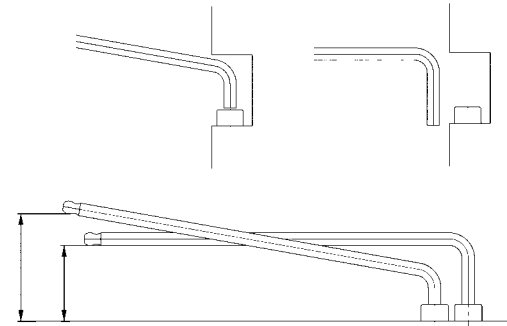
Order no.	Contents: A/F	Weight [g]
47100	1.5, 2, 2.5, 3, 4, 5, 6, 8, 10 mm	390

#### Advantage:

- Find it fast
- powder-coated **colour-coding** by key width
- no more danger of mix-up.
- **Convenient 100° bend**
- better screw access through reduced length of the short shank
- secure working even in narrow spaces.

#### Dimensions:

Order no.	SW [mm]	L1 x L2 [mm]
47100	1,5	92 x 8
	2,0	102 x 8
	2,5	114 x 10
	3	127 x 13
	4	144 x 14
	5	165 x 18
	6	186 x 22
	8	208 x 28
	10	234 x 32



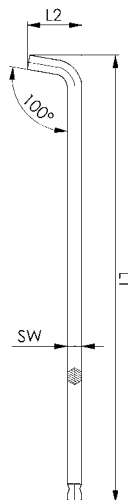
## No. 911LG-H100

### Ball-ended hexagon key 100° - key holder

9-piece.

Key: Ball-ended hexagon key **long version** (mm), **100° bend angle**, CHROME-VANADIUM, hardened and **chromium-plated**.

**NEW!**



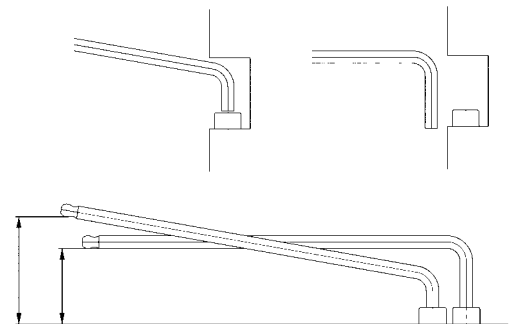
Order no.	Contents: A/F	Weight [g]
47175	1.5, 2, 2.5, 3, 4, 5, 6, 8, 10 mm	380

#### Advantage:

- **Convenient 100° bend**
- better screw access through reduced length of the short shank
- secure working even in narrow spaces.

#### Dimensions:

Order no.	SW [mm]	L1 x L2 [mm]
47175	1,5	92 x 8
	2,0	102 x 8
	2,5	114 x 10
	3	127 x 13
	4	144 x 14
	5	165 x 18
	6	186 x 22
	8	208 x 28
	10	234 x 32



## No. 911LG-HM7D

### Ball-ended hexagon key - Key holder (Combiclip)

7-piece set.  
Keys: ball-ended hexagon keys (metric) no. 911LG, **long version**, CHROM VANADIUM, hardened and **nickel-plated**.



Order no.	Contents: A/F	Weight [g]
46813	1.5, 2, 2.5, 3, 4, 5, 6 mm	150

#### Application:

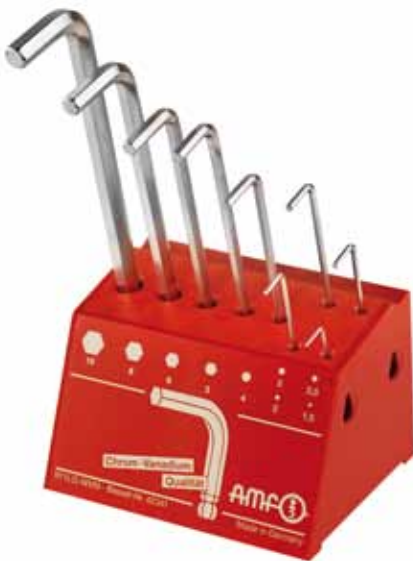
The key holder is a convenient, tidy way of storing 7 sizes of key, and can also be used as a T-grip by repositioning the key needed in the holder.



## No. 911LG-WM9

### Ball-ended hexagon key - Workshop stand (mm)

9-piece set.  
Keys: ball-ended hexagon keys (metric), no. 911LG, **long version**, CHROME VANADIUM, hardened and **nickel-plated**.  
Stand: single-grade, impact-resistant plastic with clips for connecting further workshop stands



Order no.	Contents: A/F	Weight [g]
42341	1.5, 2, 2.5, 3, 4, 5, 6, 8, 10 mm	615

## No. 911LG-BM8C

### Ball-ended hexagon key - Key box

8-piece set.

Keys: ball-ended hexagon keys (metric) no. 911LG, **long version**, CHROM VANADIUM, hardened, **steel-grey**.

Box: impact-resistant plastic with self-service rack slot.

Order no.	Contents: A/F	L x W x H	Weight [g]
<b>46011</b>	2, 2.5, 3, 4, 5, 6, 8, 10 mm	265 x 88 x 17	530



## No. 911LG-BM8D

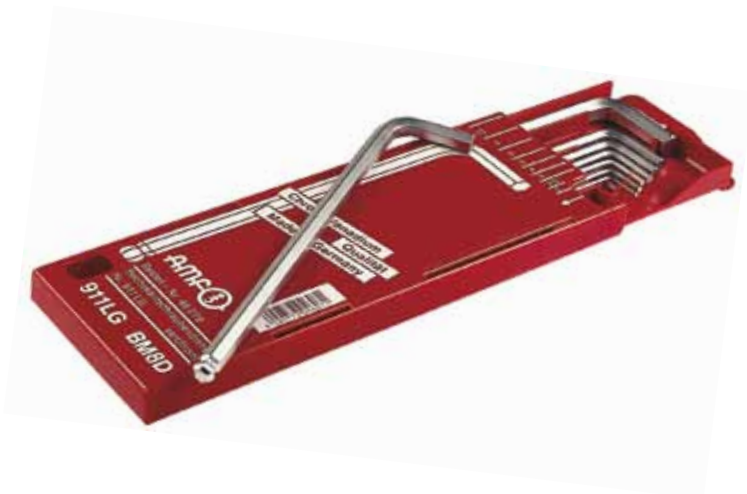
### Ball-ended hexagon key - Key box

8-piece set.

Keys: ball-ended hexagon key (metric) no. 911LG, **long version**, CHROME-VANADIUM, hardened and **nickel-plated**.

Box: from impact-resistant plastic with self-service rack slot.

Order no.	Contents: A/F	L x W x H	Weight [g]
<b>46078</b>	2, 2.5, 3, 4, 5, 6, 8, 10 mm	265 x 88 x 17	530



## Nr. 911LG-TM9

### Ball-ended hexagon key - Key wallet

9-piece set.

Keys: ball-ended hexagon keys (metric), no. 911LG, **long version**, CHROME VANADIUM, hardened and **nickel-plated**.

Plastic wallet with slot for self-service rack and reusable closure.

Order no.	Contents: A/F	Weight [g]
43885	1.5, 2, 2.5, 3, 4, 5, 6, 8, 10	400



## No. 909EG7

### Ball-ended SCHRAUB-boy

Grip: from ergonomic 2-component housing. **Lift mechanism** offers convenient access to the blades. Blades: hardened and **nickel-plated**.

Order no.	Contents: A/F	Weight [g]
45641	2.5, 3, 4, 5, 6, 8, 10	280



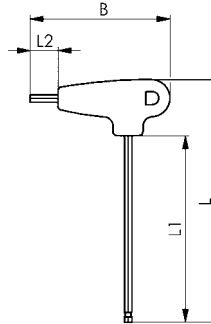
## No. 966QGE

### Double hexagon key (metric) with ergonomic 2-component T-grip

Blade: CHROME VANADIUM, hardened and **nickel-plated**.  
Grip: impact-resistant plastic (cadmium-free), black/red with **lateral take-off**.  
Short arm for final tightening. Long arm for speed.



Order no.	SW [mm]	L1	B	L	L2	Weight [g]
47670	3	100	73	130	13	25
47613	4	150	85	185	15	50
47621	5	150	85	185	15	60
47639	6	200	97	240	17	100



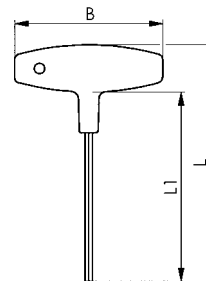
## No. 906QGE

### Ball-ended hexagon key (metric) with ergonomic 2-component T-grip

Blade: CHROME VANADIUM, hardened and **nickel-plated**.  
Grip: impact-resistant plastic (cadmium-free), black/red.



Order no.	SW [mm]	L1	B	L	Weight [g]
47118	4	150	80	175	40
47126	5	150	100	181	65
47134	6	150	100	181	80
47142	8	200	100	231	130



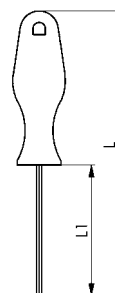
## No. 906GE

### Ball-ended hexagon key (metric) with ergonomic 2-component screwdriver grip

Blade: CHROME VANADIUM, hardened and **nickel-plated**.  
Grip: impact-resistant plastic (cadmium-free), black/red.



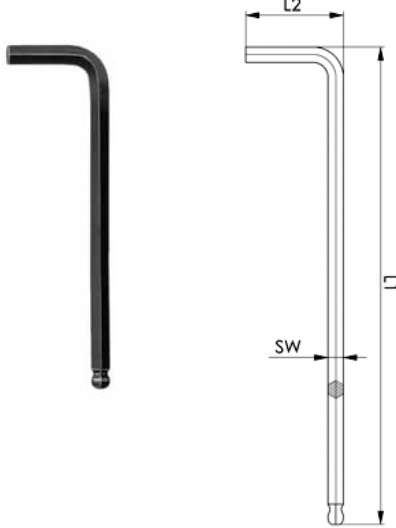
Order no.	SW [mm]	L1	L	Weight [g]
45757	2,5	100	190	35
45765	3,0	100	190	35
45773	4,0	100	200	50
45781	5,0	100	200	75



## No. 911G-C

### Ball-ended hexagon key (metric)

CHROM VANADIUM, hardened, **steel-grey**.



Order no.	SW [mm]	L1 x L2 [mm]	Weight [g]
46458	1,5	46,5 x 15,5	1
46474	2,0	52,0 x 18,0	2
46490	2,5	58,5 x 20,5	3
46516	3	66 x 23	5
46532	4	74 x 29	11
46557	5	85 x 33	20
46573	6	96 x 38	32
46599	8	108 x 44	65
46466	10	122 x 50	113

## No. 911G-BM10

### Ball-ended hexagon key - Key box

8-piece set.

Keys: ball-ended hexagon key (metric) no. 911G, short version, CHROME VANADIUM, hardened and **steel-grey**.

Box: impact-resistant plastic with self-service rack slot.



Order no.	Contents: A/F	L x W x H	Weight [g]
46052	2, 2.5, 3, 4, 5, 6, 8, 10 mm	170 x 88 x 17	320

## No. 911G-TM7

### Ball-ended hexagon key - Key wallet

7-piece set.

Keys: ball-ended hexagon key (metric) no. 911G, short version, CHROM VANADIUM, hardened, **steel-grey**.

Plastic wallet with slot for self-service rack and reusable closure.



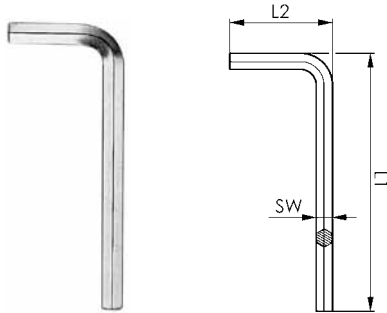
Order no.	Contents: A/F	Weight [g]
46102	1.5, 2, 2.5, 3, 4, 5, 6 mm	75



## No. 2936DZ

### Hexagon keys (inch)

CHROM VANADIUM, hardened and **nickel-plated**.  
End face machined, edges of end face chamfered.



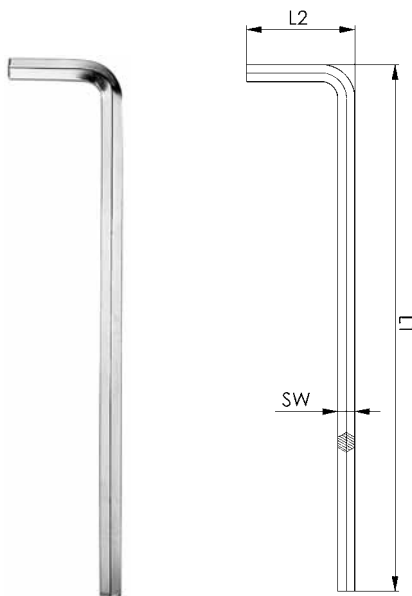
Order no.	SW [Zoll]	SW [mm]	L1 x L2 [mm]	Weight [g]
43281	0,05*	1,27	41 x 13	0,7
43307	1/16	1,59	47 x 16	1,0
43315	5/64*	2,00	52 x 18	1,8
43323	3/32	2,38	58 x 20	2
43331	1/8	3,18	66 x 23	5
43497	9/64	3,57	72 x 26	7
43349	5/32*	4,00	74 x 29	10
43356	3/16	4,76	85 x 33	15
43364	7/32	5,56	91 x 36	23
43372	1/4	6,35	96 x 38	31
43380	9/32*	7,00	102 x 41	43
43398	5/16*	8,00	108 x 44	59
43406	3/8	9,53	122 x 50	92
43414	7/16*	11,00	129 x 53	131
43422	1/2	12,70	145 x 63	206
43430	9/16	14,29	154 x 69	280
43448	5/8	15,88	176 x 76	350
43455	3/4*	19,00	199 x 89	617
43463	7/8*	22,00	222 x 102	920
43471	1	25,40	275 x 125	1390

Keys marked \* correspond to the metric size. Above 5/32" A/F they are marked with both sizes.

## No. 2936LDZ

### Hexagon keys (inch), long version

CHROM VANADIUM, hardened and **nickel-plated**.  
End face machined, edges of end face chamfered.



Order no.	SW [Zoll]	SW [mm]	L1 x L2 [mm]	Weight [g]
43273	1/16	1,59	92 x 16	1,5
43505	5/64*	2,00	102 x 18	3,0
43539	3/32	2,38	114 x 20	3,5
43547	1/8	3,18	129 x 23	7,4
43604	9/64	3,57	140 x 26	12
43513	5/32*	4,00	144 x 29	18
43562	3/16	4,76	165 x 33	26
43570	7/32	5,56	176 x 36	40
43588	1/4	6,35	186 x 38	54
43521	9/32*	7,00	207 x 42	74
43554	5/16*	8,00	208 x 44	100
43612	3/8	9,53	234 x 50	156
43638	1/2	12,70	277 x 89	360
43646	3/4*	19,00	379 x 89	1100

Keys marked \* correspond to the metric size. Above 5/32" A/F they are marked with both sizes.

## No. 906QZ

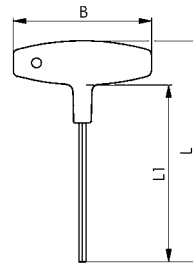
### Hexagon keys (inch) with T-grip

Key: CHROM VANADIUM, hardened and **nickel-plated**.  
Grip: impact-resistand plastic (cadmium-free) yellow.



Order no.	SW [inch]	SW [mm]	L1	B	L	Weight [g]
45120	5/64*	2,00	100	80	125	28
44883	3/32	2,38	150	80	175	33
44891	1/8	3,18	150	80	175	37
44909	9/64	3,57	150	80	175	42
45252	5/32*	4,00	150	80	175	45
45260	5/32*	4,00	200	80	225	53
44917	3/16	4,76	150	100	182	73
44925	7/32	5,56	150	100	182	82
44933	1/4	6,35	150	100	182	93
45294	5/16*	8,00	150	100	182	120
45310	5/16*	8,00	200	100	232	140

Keys marked \* correspond to the metric size.



## No. 911-WZ9

### Workshop stand (inch)

with inch hexagon keys no. 2936DZ 9-piece set.  
Keys: CHROME VANADIUM, hardened and **nickel-plated**.  
Edges of end face chamfered.  
Stand: powder-coated **metal**.

Order no.	Contents: A/F	Weight [g]
44057	3/32, 1/8, 5/32, 3/16, 7/32, 1/4, 5/16, 3/8, 1/2"	1010



## No. 911HZ 9D

### Key holder (inch)

with inch hexagon keys no. 2936DZ, 9-piece set.  
 Keys: CHROME VANADIUM, hardened and **nickel-plated**.  
 End face machined. Edges of end face chamfered.  
 Holder: with slot for self-service rack.



Order no.	Contents: A/F	Weight [g]
44156	1/16, 5/64, 3/32, 1/8, 5/32, 3/16, 3/16, 1/4, 5/16, 3/8"	232

## No. 911L-HZ 9D

### Key holder (inch)

with inch hexagon keys no. 2936LDZ, **long version** 9-piece set.  
 Keys: CHROME VANADIUM, hardened and **nickel-plated**.  
 End face machined. Edges of end face chamfered.  
 Holder: with slot for self-service rack



Order no.	Contents: A/F	Weight [g]
44164	1/16, 5/64, 3/32, 1/8, 5/32, 3/16, 1/4, 5/16, 3/8"	395

## No. 911LG-HZ13D

### Key holder, ball-ended (inch)

with ball-ended hexagon keys, **long version**, 13-piece set.  
 Keys: CHROME VANADIUM, hardened and **nickel-plated**.  
 End face machined. Edges of end face chamfered.  
 Holder: with slot for self-service rack.



Order no.	Contents: A/F	Weight [g]
44180	0,05, 1/16, 5/64, 3/32, 7/64, 1/8, 9/64, 5/32, 3/16, 7/32, 1/4, 5/16, 3/8"	440

## No. 911BZ7

### Key box (inch)

with inch hexagon keys no. 2936DZ, 7-piece set.

Keys: CHROME VANADIUM, hardened and **nickel-plated**.

End face machined. Edges of end face chamfered.

Box: from impact-resistant **plastic** with self-service rack slot.

Order no.	Contents: A/F	L x W x H	Weight [g]
44842	5/64, 3/32, 1/8, 5/32, 3/16, 7/32, 1/4"	133x72x14	140



## No. 911TZ

### Key wallets (inch)

with inch hexagon keys no. 2936DZ 9, 11 and 14-piece set.

Keys: CHROME VANADIUM, hardened and **nickel-plated**. End face machined. Edges of end face chamfered.

Plastic wallet with slot for self-service rack and reusable closure.

Order no.	Size	Contents: A/F	Weight [g]
43893	9	0.05, 1/16, 5/64, 3/32, 1/8, 5/32, 3/16, 7/32, 1/4"	100
43901	11	0.05, 1/16, 5/64, 3/32, 1/8, 5/32, 3/16, 7/32, 1/4, 5/16, 3/8"	250
43919	14	0.05, 1/16, 5/64, 3/32, 1/8, 5/32, 3/16, 7/32, 1/4, 5/16, 3/8, 7/16, 1/2, 9/16"	850



**TORX®** is a registered trademark of Camcar/Textron Inc.

## PROFILE

The wave-profile provides a large surface for force and torque transfer  
 > optimum grip and long tool-life  
 > see table on right for test torques.

## MATERIAL

highly alloyed CHROME-VANADIUM steel

## EXECUTION AND SURFACE FINISH

> hardened and **steel-grey**  
 > hardened and **chromium-plated**

## SCREWDRIVERS WITH HANDLE,

for **TORX®**-screws, compliment the well-known advantages of this type of screw.  
 > best possible force transfer by handy gripforms.

Table showing **TORX®**-sockets for thread diameters and types of screw.

TORX® Size	A mm	Test torque Nm	Screws with TORX®-sockets								
			metric (M)						Self-tapping (St)		
			DIN 4762 DIN 912	DIN 963 DIN 965	DIN 964 DIN 966	DIN 7984 DIN 6912	DIN 7985	DIN 7991	DIN 7981	DIN 7972 DIN 7982	DIN 7973 DIN 7983
T 6	1,70	0,75	*	*	*	*	*	*	*	*	*
T 7	1,99	1,4	*	*	*	*	*	*	*	*	*
T 8	2,31	2,2	2,5	2,5	2,5	-	2,5	-	-	2,9	2,9
T 9	2,50	2,8	*	*	-	-	-	-	-	-	-
T10	2,74	3,7	3	3	3	3	3	3	3,5	3,5	3,5
T15	3,27	6,4	*	3,5	3,5	-	3,5	-	3,9	3,9	3,9
T20	3,86	10,5	4	4	4	4	4	4	4,2	4,2	4,2
T25	4,43	15,9	5	5	5	5	5	5	4,8/5,5	4,8/5,5	4,8/5,5
T27	4,99	22,5	*	*	*	*	*	*	*	*	*
T30	5,52	31,1	6	6	6	6	6	6	6,3	6,3	6,3
T40	6,65	54,1	8	8	8	8	8	8	-	-	-
T45	7,82	86,2	*	*	*	*	*	*	*	*	*
T50	8,83	132	10	10	10	10	10	10	-	-	-
T55	11,22	252	12	-	-	12	-	12	-	-	-

\* Special screws

## No. 908

### TORX angled key

CHROM VANADIUM, hardened, **steel-grey**.



Order no.	TORX	A	L1 x L2 [mm]	Weight [g]
46540	T 6	1,70	44,5 x 18,5	1,9
46565	T 7	1,99	50,5 x 18,5	2,0
46581	T 8	2,31	51 x 19	2,8
46607	T 9	2,50	51 x 19	3,4
46615	T10	2,74	54 x 20	3,6
46623	T15	3,27	57,5 x 21,5	5,2
46631	T20	3,86	61 x 23	6,5
46649	T25	4,43	64,5 x 24,5	9,4
46656	T27	4,99	69,5 x 26,5	15
46664	T30	5,52	76 x 30	20
46672	T40	6,65	83 x 33	31
46680	T45	7,82	91 x 37	44
46698	T50	8,83	95 x 32	62
46706	T55	11,22	108 x 35	126

## No. 908-TT9

### TORX key wallet

with TORX Key no. 908, 9-piece set.  
 Keys: CHROME VANADIUM, hardened and **steel-grey**.  
 Plastic wallet with slot for self-service rack and reusable closure.

Order no.	Contents TORX	Weight [g]
43836	T6, 7, 8, 9, 10, 15, 20, 25, 30	65



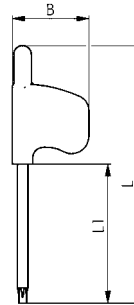
## No. 937SH

### TORX-PLUS keys with flag-type grip

Blade: CHROME VANADIUM, hardened and **steel-grey**.  
Grip: impact-resistant plastic (cadmium-free), light green.



Order no.	TORX	A	L1	B	L	Weight [g]
47464	IP 5	1,42	35	22	69	3,5
47472	IP 6	1,70	35	22	69	3,6
47480	IP 7	1,99	35	22	69	3,7
47498	IP 8	2,31	40	22	74	5,8
47506	IP 9	2,50	40	22	74	6,3
47514	IP10	2,74	40	22	74	6,8
47522	IP15	3,27	45	22	79	7,5
47530	IP20	3,86	45	22	79	8,0



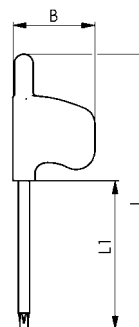
## No. 907SH

### TORX keys with flag-type grip

Blade: CHROME-VANADIUM, hardened and **steel-grey**.  
Grip: impact-resistant plastic (cadmium-free), green.



Order no.	TORX	A	L1	B	L	Weight [g]
46185	T5	1,42	35	22	69	3,5
46847	T6	1,70	35	22	69	3,6
46854	T7	1,99	35	22	69	3,7
46862	T8	2,31	40	22	74	5,8
46870	T9	2,50	40	22	74	6,3
46888	T10	2,74	40	22	74	6,8
46896	T15	3,27	45	22	79	7,5
46987	T20	3,86	45	22	79	8,0

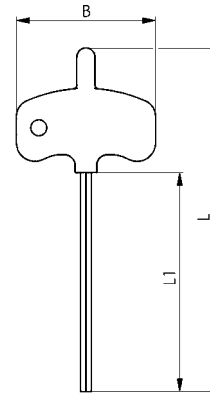


## No. 907S

### TORX key with small grip

Blade: CHROME-VANADIUM, hardened and **steel-grey**.  
Grip: impact-resistant plastic (cadmium-free), green.

Order no.	TORX	A	L1	B	L	Weight [g]
46730	T 6	1,70	35	38	70	14
46748	T 7	1,99	35	38	70	14
46755	T 8	2,31	40	38	75	14
46763	T 9	2,50	40	38	75	15
46771	T10	2,74	40	38	75	15

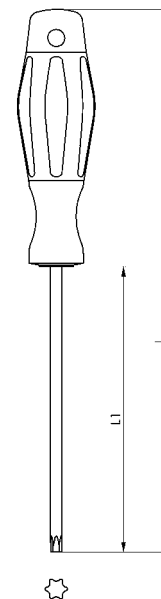


## No. 907LE

### TORX key with ergonomic 2-component screwdriver grip

Blade: CHROME-VANADIUM, hardened and **chromium-plated** with black tip.  
Grip: impact-resistant plastic (cadmium-free), black/green.

Order no.	TORX	A	L1	L	Weight [g]
47407	T 8	2,31	60	140	37
47415	T 9	2,50	60	140	37
47423	T10	2,74	80	160	39
47431	T15	3,27	80	170	41
47449	T20	3,86	100	190	56
47456	T25	4,43	100	200	60



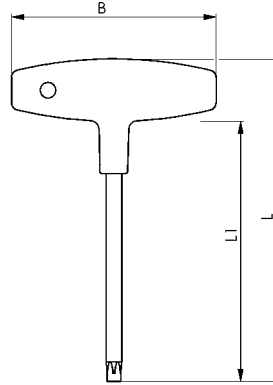
## No. 907Q

### TORX key with T-grip

Blade: CHROME-VANADIUM, hardened and **chromium-plated** with black tip.

Grip: impact-resistant plastic (cadmium-free), green.

Order no.	TORX	A	B	L	L1	Weight [g]
45906	T 9	2,50	80	125	100	35
45914	T10	2,74	80	125	100	35
45922	T15	3,27	80	125	100	36
45930	T20	3,86	100	125	100	60
45948	T25	4,43	100	125	100	60
45955	T27	4,99	100	131	100	70
45963	T30	5,52	100	131	100	75
45989	T40	6,65	100	131	100	80
46029	T50	8,83	120	188	150	160



## No. 907Q-WT7

### TORX workshop stand

with T-grip TORX key no. 907Q, 7-piece set.

Blades: CHROME-VANADIUM, hardened and **chromium-plated** with black tip.

Grip: impact-resistant plastic (cadmium-free), green.

Stand: single-grade, impact-resistant **plastic** with clips for connecting further workshop stands.

Order no.	Contents: TORX x blade length L1	Weight [g]
46722	T10x100, T15x100, T20x100, T25x100, T30x100, T40x100, T50x150	660



Space for two additional TORX keys



## No. 909ET8

### TORX SCHRAUB-boy

Body: from ergonomic 2-component housing. **Lift mechanism** offers convenient access to the blades.  
Blades: CHROME VANADIUM, hardened and **steel-grey**.

Order no.	Contents TORX	Weight [g]
45658	T9, 10, 15, 20, 25, 27, 30, 40	210



## No. 908L-HT13C

### TORX key holder

with TORX keys, **long version**, 13-piece set.  
Keys: CHROME VANADIUM, hardened and **steel-grey**.  
Holder: with slot for self-service rack.

Order no.	Contents TORX	Weight [g]
45369	T5, 6, 7, 8, 9, 10, 15, 20, 25, 27, 30, 40, 50	440



## No. 918-HT8C

### Ball-ended TORX hexagon key

with TORX ball-ended hexagon keys, 8-piece set.  
Keys: CHROME VANADIUM, hardened and **steel-grey**.  
Holder: with slot for self-service rack.

Order no.	Contents TORX	Weight [g]
48900	T9, 10, 15, 20, 25, 27, 30, 40	165



## TOOLS FOR THREADED FASTENERS FOR TRADE AND INDUSTRY.

Troughout the world, AMF is a hallmark for high-quality screwdriving tools for tradespeople and industry. Our products prove themselves millions of times every day.

### FROM DIN TO COMPANY STANDARDS.

Technical perfection is our standard. The results of this quality: a long working-life, precise transmission of force and thus the greatest possible safety, and user-friendliness in every detail. From socket wrenches to hook wrenches, from pin wrenches to open-ended spanners, from drill drift to fire hydrant key, we have a broad and balanced program of screwdriving tools. Made of alloy steels with appropriate plated finishes for all applications. The following pages will give you an overview of this wide spectrum.

### MADE-TO-MEASURE, FROM SMALL TO ENORMOUS.

One of our specialities is the manufacturer of special tools to customers' individual requirements. Special tools can also be made from existing ones but modified to meet your requirements. A drawing or sketch and the quantity required are all the information we need to quote.



### APPLICATIONS AND SIZE RANGES HOOK WRENCHES DIN 1810A (PAGE 44)

Size	DIN1804	DIN981			KMT	DIN70852	DIN1851-F
	M	M	KM	KML			
12 - 14	-	-	-	-	-	-	-
16 - 20	6 8	-	-	-	-	10	-
25 - 28	10 12	15 17	2 3	-	0	16	-
30 - 32	14 16	- 20	- 4	-	1	18 20	-
34 - 36	18 20	-	-	-	-	22	-
38 - 45	26	25 30	5 6	-	-	24	10 15
40 - 42	22 24	-	-	-	4	26 28	-
45 - 50	26 28 - 30	30	6	-	-	35	-
52 - 55	32 35	35	7	-	-	-	20
58 - 62	38 40 - 42	40	8	-	-	45	- 25
65 - 70	-	45 50	9 10	-	- 9	48 52	- 32
68 - 75	45 48 - 50	- 55	- 11	-	- 10	50 55	-
80 - 90	52 - 55 58 - 60	60	12	-	- 12	60 70	-
85 - 92	-	65 70	13 14	-	-	65	- 50
95 - 100	62 - 65 68 - 70	-	-	-	13 14	75 80	-
98 - 105	-	75 80	15 16	-	- 15	-	-

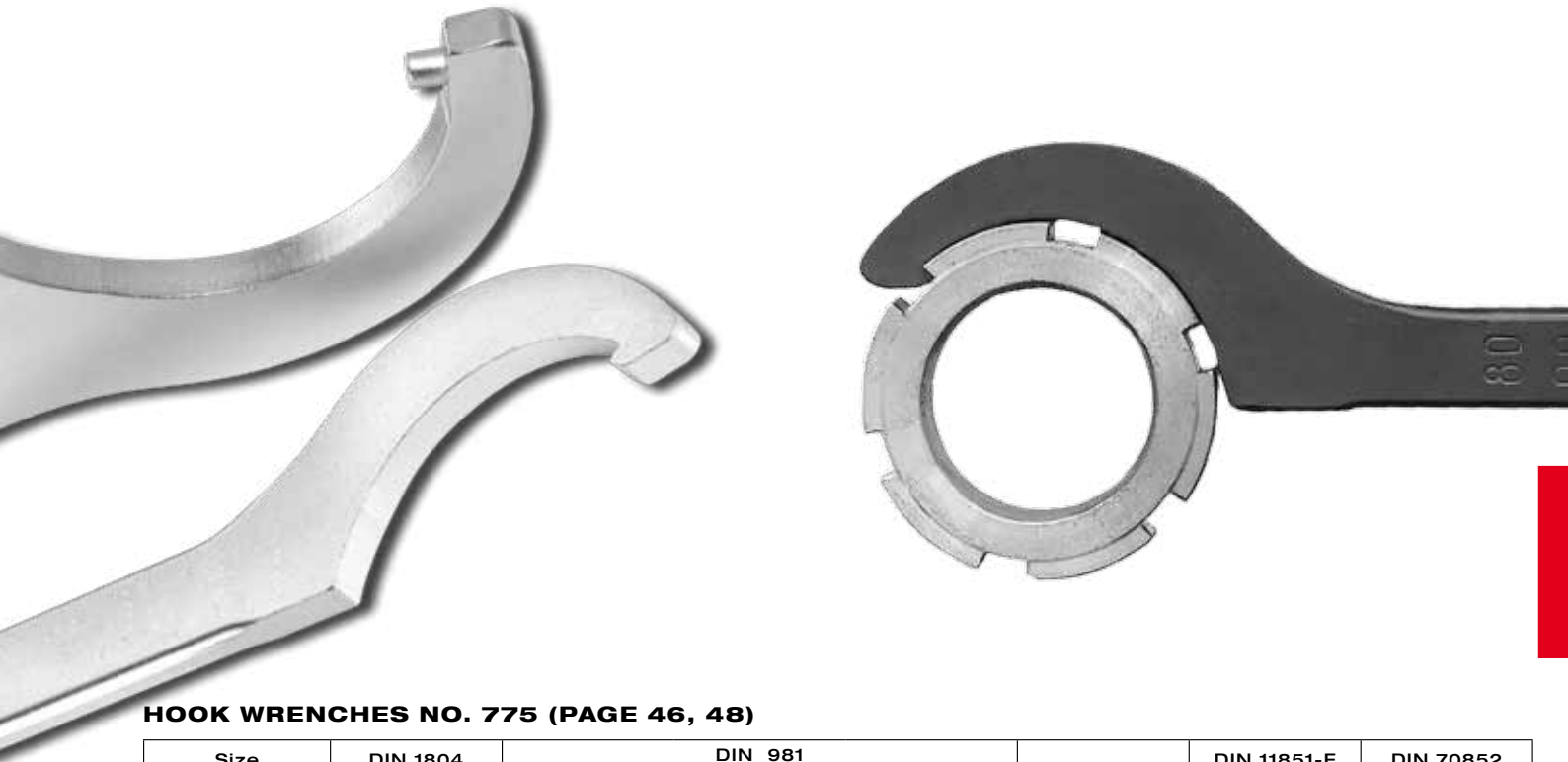
Size	DIN1804	DIN981			KMT	DIN70852	DIN1851-F
	M	M	KM	KML			
110 - 115	72 - 75 80	85	17	-	16	-	65
120 - 130	85 90	90 100	18 20	-	17 19	- 105	-
135 - 145	95 100	110 120	22	- 24	20 22	- 115	-
155 - 165	105 - 110 115 - 120	120 - 130 130 - 140	24 26	26 28	24 26	125 135	-
180 - 195	125 - 130 140	140 - 150 150	28 30	30	- 32	150	-
205 - 220	150 160	- 170 - 190	- 34	- 38	34	175 180	-
230 - 245	170 180	180	36	-	-	190	-

Size	DIN1804	DIN981					
		M	Tr				
260 - 270	190 200	220x4 210x4	3044 42 T	-	-	-	-
280 - 300	-	220x4 240x4	44 T 48 T	-	-	-	-
300 - 320	-	240x4 250x4	48 T 50 T	-	-	-	-
320 - 345	-	250x4	50 T	-	-	-	-
350 - 375	-	-	-	-	-	-	-
380 - 400	-	-	-	-	-	-	-
480 - 500	-	-	-	-	-	-	-

Subject to technical alterations.

## ADJUSTABLE HOOK WRENCHES WITH NOSE NO. 771C AND NO. 771MD (PAGE 50)

Size	DIN 1804 M	DIN 981			DIN 11851-F DN
		M	KM	KML	
20 - 42	8 - 24	12 - 25	1 - 5	-	10
45 - 90	26 - 60	30 - 65	6 - 13	-	15 - 50
95 - 165	62 - 120	75 - 140	15 - 26	24 - 28	65 - 100



## HOOK WRENCHES NO. 775 (PAGE 46, 48)

Size	DIN 1804 M	DIN 981			KMT	DIN 11851-F DN	DIN 70852 M
		M	KM	KML			
20 - 35	8 - 18	12 - 20	1 - 4	-	0 - 2	-	10 - 20
35 - 60	20 - 38	25 - 40	5 - 8	-	3 - 7	10 - 20	22 - 42
60 - 90	40 - 60	45 - 65	9 - 13	-	8 - 12	25 - 40	42 - 70
90 - 155	58 - 110	70 - 130	14 - 24	24, 26	13 - 24	50 - 100	70 - 125
155 - 230	105 - 170	120 - 190	24 - 36	26 - 38	24 - 38	125 - 150	125 - 190

## HOOK WRENCHES DIN 1810B AND NO. 776 (PAGE 45, 47, 49, 50)

1810B Size	DIN 1816 M	776 Size	1810B Size	DIN 1816 M	776 Size	1810B Size	DIN 1816 M	776 Size				
16 - 18	6	16 - 22	58 - 62	42	60 - 90	135 - 145	95	95 - 155				
20 - 22	8	22 - 35	68 - 75	45		155 - 165	100		125	165 - 230		
25 - 28	10			48			80 - 90				50	105
	12			52							110	
30 - 32	14		55	95 - 100							62	115
	16		58					120				
34 - 36	18	60	110 - 115			65		125				
40 - 42	22	95 - 155				120 - 130	68	130				
	24						70	140				
45 - 50	26			72			150	150				
	28			75	160		160					
52 - 55	30		77	170	170							
	32	78	180	180								
58 - 62	35	80	190	190								
	38	82	200	200								
	40	85										
		90										

Subject to technical alterations.

## DIN 1810A

### Hook wrench with nose

for grooved nuts to DIN 1804 and bearing nuts to DIN 981. Special steel, machined nose, edges ground, hardened and blued.

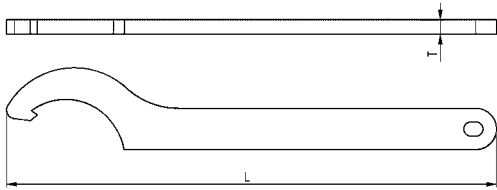
**Rounded edges for better handling.**

Order no.	Size	L	T	Weight [g]
54585	12- 14	110	3	25
54593	16- 20	110	3	25
54601	25- 28	136	4	45
54619	30- 32	136	4	50
54627	34- 36	170	5	90
54387	(38- 45)	170	5	95
54635	40- 42	170	5	90
54643	45- 50	206	6	155
54650	52- 55	206	6	160
54668	58- 62	240	7	260
54403	(65- 70)	240	7	255
54676	68- 75	240	7	255
54684	80- 90	280	8	410
54429	(85- 92)	280	8	410
54692	95-100	280	8	405
54445	(98-105)	290	8	405
54700	110-115	335	10	745
54718	120-130	335	10	720
54726	135-145	385	10*	1000
54734	155-165	385	10*	965
54742	180-195	470	10*	1500
54759	205-220	470	10*	1580
54767	230-245	568	10*	2250
54775	260-270	568	10*	2250
54783	280-300	680	15	5150
54841	300-320	695	15	5100
54791	320-345	695	15	5200
54809	350-375	735	15	5200
54817	380-400	770	15	6700
54825	480-500	988	20	13000

\* Thickness not to DIN ( ) DIN extended

### On request:

Intermediate sizes and other material thicknesses for quantities above 100 on request. Available in stainless steel on request (up to 6 mm thick).



## DIN 1810AD

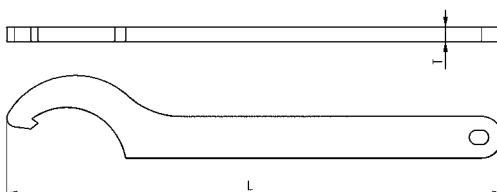
### Hook wrench with nose

for grooved nuts to DIN 1804 and bearing nuts to DIN 981. Special steel, machined nose, edges ground, hardened and high-grade zinc-plated.

**Rounded edges for better handling.**

Order no.	Size	L	T	Weight [g]
55103	16- 20	110	3	25
55111	25- 28	136	4	45
55129	30- 32	136	4	50
55137	34- 36	170	5	90
55152	40- 42	170	5	90
55160	45- 50	206	6	155
55178	52- 55	206	6	160
55186	58- 62	240	7	260
55202	68- 75	240	7	255
55210	80- 90	280	8	410
55236	95-100	280	8	405
55251	110-115	335	10	745
55269	120-130	335	10	720
55277	135-145	385	10*	1000
55285	155-165	385	10*	965

\* Thickness not to DIN



## DIN 1810B

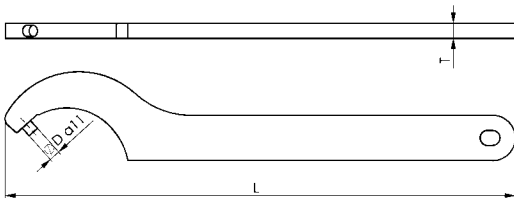
### Hook wrench with pin

for nuts with radial holes to DIN 1816.  
Special steel, hardened and **blued**.  
**Rounded edges for better handling.**



Order no.	Size	dia. D	L	T	Weight [g]
54874	12- 14	2,0	110	3	25
54882	16- 18	2,5	110	3	25
54890	20- 22	2,5	110	3	25
54908	25- 28	3	136	4	55
54916	30- 32	4	136	4	55
54924	34- 36	4	170	5	100
54932	40- 42	4	170	5	100
54940	45- 50	5	206	6	165
54957	52- 55	5	206	6	165
54965	58- 62	5	240	7	270
54973	68- 75	6	240	7	270
54981	80- 90	6	280	8	410
54999	95-100	8	280	8	410
55004	110-115	8	335	8*	610
55012	120-130	8	335	8*	610
55020	135-145	8	380	8*	790
55038	155-165	8	380	8*	790
55046	180-195	10	470	10*	1500
55053	205-220	10	470	10*	1580
55061	230-245	10	568	10*	2250
55079	260-270	10	568	10*	2250

\*Thickness not to DIN (..) similar DIN.



### On request:

Intermediate sizes or other pin diameters for quantities above 100 on request. Available in stainless steel on request (up to 6 mm thick).

## DIN 1810BD

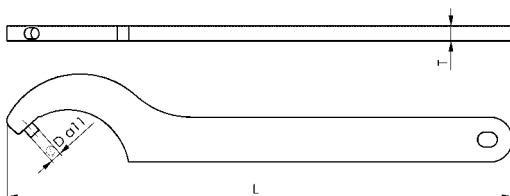
### Hook wrench with pin

for nuts with radial holes to DIN 1816.  
Special steel, hardened and **high-grade zinc-plated**.  
**Rounded edges for better handling.**



Order no.	Size	dia. D	L	T	Weight [g]
55400	16- 18	2,5	110	3	25
55418	20- 22	2,5	110	3	25
55426	25- 28	3	136	4	55
55434	30- 32	4	136	4	55
55442	34- 36	4	170	5	100
55459	40- 42	4	170	5	100
55467	45- 50	5	206	6	165
55475	52- 55	5	206	6	165
55483	58- 62	5	240	7	270
55491	68- 75	6	240	7	270
55509	80- 90	6	280	8	410
55517	95-100	8	280	8	410
55525	110-115	8	335	8*	630
55533	120-130	8	335	8*	630
55541	135-145	8	380	8*	800
55558	155-165	8	380	8*	800

\*Thickness not to DIN



## ASSEMBLY VERSION

### Benefits:

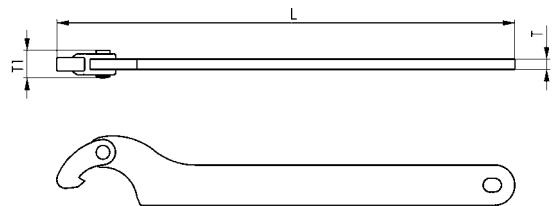
- > **Lightweight** keys, for frequent actuation, reduced fatigue
- > **Short** version, fits into every pocket and toolbox

### No. 775SC

#### Hinged hook wrench with nose, assembly version

for grooved nuts to DIN 1804 and bearing nuts to DIN 981.  
Special steel, hardened and blued.  
**Rounded edges for better handling.**

Order no.	Size	L	T	T1	Weight [g]
56697	20-35	135	3	8	40
56705	35-60	175	4	11	85
56713	60-90	240	6	13	250
56721	90-155	300	7	15	425
56739	155-230	420	8	18	1015



### No. 775SNI

#### Hinged hook wrench with nose, assembly version, stainless steel

for grooved nuts to DIN 1804, bearing nuts to DIN 981  
and for couplings and fittings to DIN 11851.

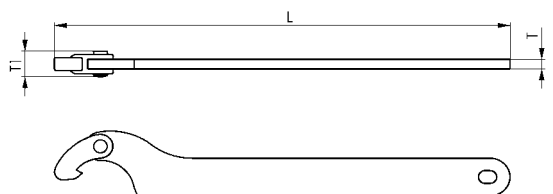
**Stainless steel.**

**Rounded edges for better handling.**

Order no.	Size	L	T	T1	Weight [g]
56796	20-35	135	3	8	35
56804	35-60	175	4	11	75
56812	60-90	240	5	13	185
56820	90-155	300	6	15	320
56838	155-230	420	8	18	860



STAINLESS STEEL



Subject to technical alterations.

## ASSEMBLY VERSION

### Benefits:

- > **Lightweight** keys, for frequent actuation, reduced fatigue
- > **Short** version, fits into every pocket and toolbox
- > All common pin diameters available.

### No. 776SC

#### Hinged hook wrench with pin, assembly version

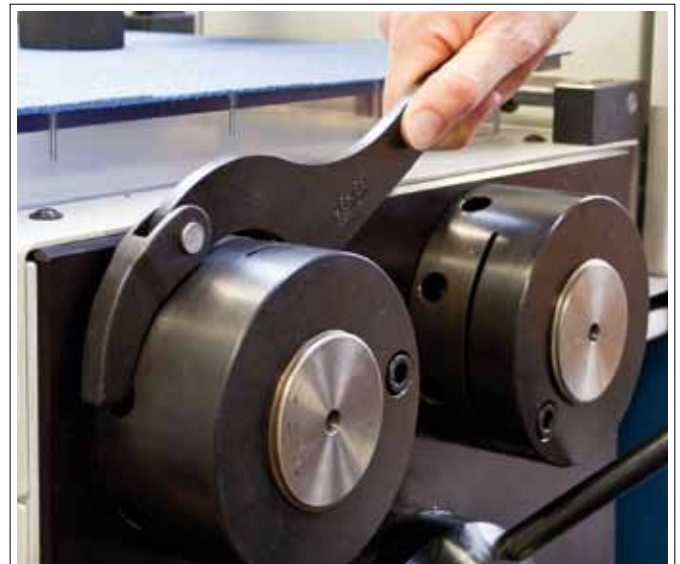
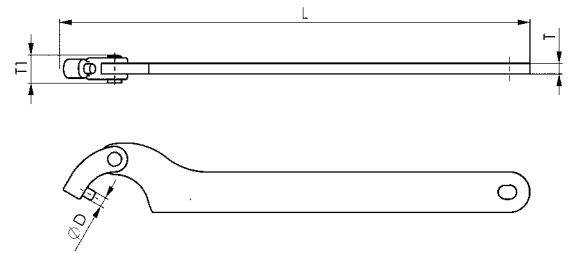
for nuts with radial holes to DIN 1816.

Special steel, hardened and **blued**.

**Rounded edges for better handling.**

Order no.	Size	dia. D	L	T	T1	Weight [g]
51821	20-35	2,5*	135	3	8	40
51839	20-35	3,0	135	3	8	40
51847	20-35	4,0	135	3	8	40
51854	35-60	4,0*	175	4	11	85
51862	35-60	5,0	175	4	11	85
51870	60-90	5,0*	245	6	13	250
51888	60-90	6,0	245	6	13	250
51896	90-155	6,0*	300	7	15	425
51904	90-155	8,0	300	7	15	425
51912	155-230	8,0	420	8	18	1015

\* If no pin diameter is given in the order, we supply the pin diameter marked with a \*.



Subject to technical alterations.

## INDUSTRIAL VERSION

### Benefits:

- > Longer shank for increased torque
- > Extended hook for greater contact and safer use
- > Strengthened rivet increases working life and permits transmission of greater forces, especially with smaller sizes
- > Even movement due to additional spring washer, one-handed operation possible

### No. 775C

#### Hinged hook wrench with nose, industrial version

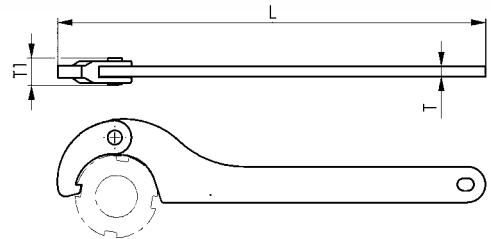
for grooved nuts to DIN 1804 and bearing nuts to DIN 981.

Special steel, hardened and **blued**.

With hole for hanging up. Extended hook and shank, strengthened rivet, spring washer.

**Rounded edges for better handling.**

Order no.	Size	L	T	T1	Weight [g]
51649	20- 35	165	4	10,5	85
51656	35- 60	210	5	12,5	170
51664	60- 90	280	6	14,5	360
51672	90- 155	335	7	17,5	610
51680	155-230	460	8	17,5	1200



### No. 775D

#### Hinged hook wrench with nose, industrial version

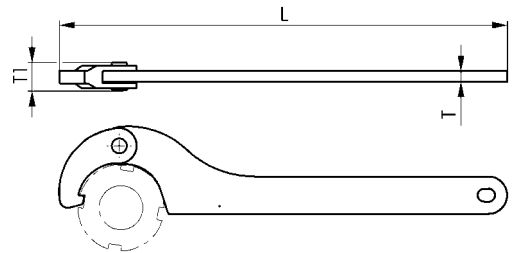
for grooved nuts to DIN 1804 and bearing nuts to DIN 981.

Special steel, edges ground, hardened and **nickel-plated**.

With hole for hanging up. Extended hook and shank, strengthened rivet, spring washer.

**Rounded edges for better handling.**

Order no.	Size	L	T	T1	Weight [g]
51730	20 - 35	165	4	10,5	85
51748	35 - 60	210	5	12,5	170
51755	60 - 90	280	6	14,5	360
51763	90 -155	335	7	17,5	610
51771	155-230	460	8	17,5	1200



### No. 775NI

#### Hinged hook wrench with nose, industrial version, stainless steel

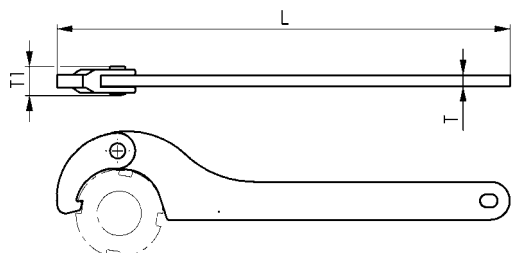
for grooved nuts to DIN 1804, bearing nuts to DIN 981 and for couplings and fittings to DIN 11851.

**Stainless steel.** With hole for hanging up.

Extended hook and shank, strengthened rivet, spring washer.

**Rounded edges for better handling.**

Order no.	Size	L	T	T1	Weight [g]
52183	20- 35	165	4	10,5	85
52191	35- 60	210	5	12,5	170
52209	60- 90	280	6	14,5	360
52217	90- 155	335	6	17,5	580
52225	155-230	460	8	17,5	1200



Subject to technical alterations.



## INDUSTRIAL VERSION

### Benefits:

- > Longer shank for increased torque
- > Extended hook for greater contact and safer use
- > Strengthened rivet increases working life and permits transmission of greater forces, especially with smaller sizes
- > Even movement due to additional spring washer, one-handed operation possible
- > Improved ratio of pin diameter to nut diameters

### No. 776C

#### Hinged hook wrench with pin, industrial version

for nuts with radial holes to DIN 1816.

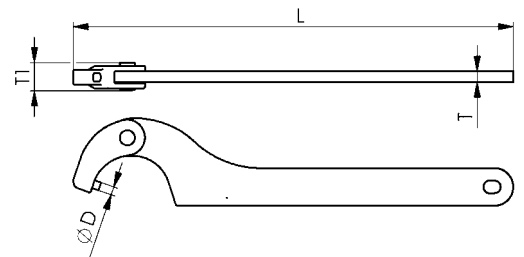
Special steel, hardened and **blued**.

With hole for hanging up. Extended hook and shank, strengthened rivet, spring washer and optimised radial areas.

**Rounded edges for better handling.**

Order no.	Size	dia. D	L	T	T1	Weight [g]
53058	16-22	2,5	135	3	7,5	50
53066	22-35	3,0	165	4	10,5	85
53074	35-60	4,0	205	5	12,5	170
53181	60-90	5,0*	280	6	14,5	380
53082	60-90	6,0	280	6	14,5	380
53090	95-155	6,0*	335	7	17,5	610
53199	95-155	8,0	335	7	17,5	610
53173	165-230	8,0	460	8	17,5	1200
53108	165-230	10,0*	460	8	17,5	1200

\* If no pin diameter is given in the order, we supply the pin diameter marked with a \*.  
 Sizes 16-22 without retaining ring.



### No. 776D

#### Hinged hook wrench with pin, industrial version

for grooved nuts to DIN 1816.

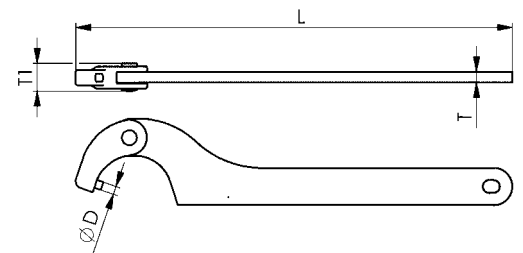
Special steel, hardened and **nickel-plated**. With hole for hanging up.

Extended hook and shank, strengthened rivet, spring washer and optimised radial areas.

**Rounded edges for better handling.**

Order no.	Size	dia. D	L	T	T1	Weight [g]
53116	16-22	2,5	135	3	7,5	50
53124	22-35	3,0	165	4	10,5	85
53132	35-60	4,0	205	5	12,5	170
53140	60-90	6,0	280	6	14,5	380
53157	95-155	6,0	335	7	17,5	610
53165	165-230	10,0	460	8	17,5	1200

Sizes 16-22 without retaining ring.



## No. 771C

### Adjustable hook wrench with nose

for grooved nuts to DIN 1804 and bearing nuts to DIN 981.  
Special steel, hardened and **blued**.  
**Rounded edges for better handling.**

Order no.	Size	L	T	Weight [g]
51201	20- 42	180	4	100
51219	45- 90	240	6	250
51227	95-165	335	10	710



## No. 771Md

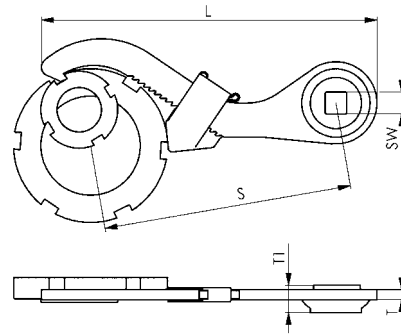
### Adjustable hook wrench with nose and torque-wrench fitting

for grooved nuts to DIN 1804 and bearing nuts to DIN 981.  
Special steel, hardened and **blued**.  
Drive: square socket

Order no.	Size	Drive SW [inch]	L	S	T	T1	Weight [g]
51516	20 - 42	1/2	135	100	4	16,0	165
51532	45 - 90	1/2	192	150	6	16,0	310
51557	95 - 165	3/4	298	220	10	20,5	910

#### Note:

The set value for the torque wrench is dependant on insertion dimension „S“. The operating manual provided with your torque wrench contains the requisite information and calculation formulae.



## No. 776Md

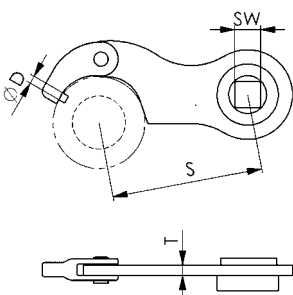
### Hinged hook wrench with pin and torque-wrench fitting

For nuts with radial holes to DIN 1816.  
Special steel, hardened and **blued**.  
Drive: square socket

Order no.	Size	Drive SW [inch]	dia. D	S	T	Weight [g]
52753	35-60	1/2	4	75	5	185
52761	60-90	1/2	6	100	6	320

#### Note:

The set value for the torque wrench is dependant on insertion dimension „S“. The operating manual provided with your torque wrench contains the requisite information and calculation formulae.



Subject to technical alterations.

## No. 758S

### Adjustable face spanner set

with replaceable, hardened pin in two-component box, black-orange. Keys: Special steel, **zinc-plated**.



Order no.	A	Pin dia.	Box L x B x H	Weight [g]
50427	8-100	1.5, 2, 2.5, 3, 4	165 x 87 x 36	335

### Application:

Ideal for mechanics, maintenance and service technicians, at the workbench and for do-it-yourselfers.

### Advantage:

The adjustable face spanner set replaces 5 individual key sizes. The exchangeable pins (2 per size) are clearly stored in 2 separate boxes. The robust 2-component box protects the keys and the pins, and everything is always accessible.

## No. 758

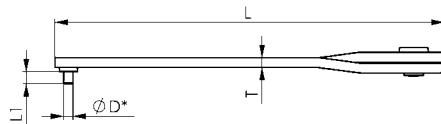
### Adjustable pin wrench for nuts with 2 holes

Size 7-40 with riveted pins, from size 11-60 with pins electrically welded. Special steel, **blued**.



Order no.	A	dia. D*	L1	L	T	Weight [g]
40477	7 - 40	1,5	2	115	3	40
40485	7 - 40	2,0	2,5	115	3	40
40493	7 - 40	2,5	3	115	3	40
40618	11 - 60	3	4	160	4	140
40626	11 - 60	4	5	160	4	140
40634	11 - 60	5	6	160	4	140
40758	14 - 100	5	6	215	6	300
40766	14 - 100	6	7	215	6	300
40774	14 - 100	8	8	215	6	300
40899	22 - 125	8	8	260	6	500
40907	22 - 125	10	10	260	6	500
40915	22 - 125	12	12	260	6	500

\* Pin diameter = nominal diameter -0.1mm (tolerance class h12).



## No. 758CC

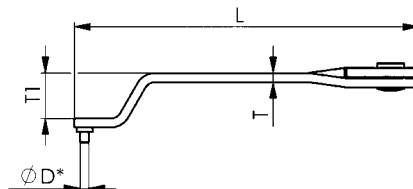
### Adjustable pin wrench for nuts with 2 holes, cranked

with electrically welded pins. Special steel, hardened and **blued**.



Order no.	A	dia. D*	L	T	T1	Weight [g]
50914	11-60	3	153	4	20	120
50922	11-60	4	153	4	20	120
50930	14-90	5	205	6	27	310
50948	14-90	6	205	6	27	310

\* Pin diameter = nominal diameter -0.1mm (tolerance class h12).



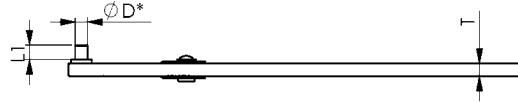
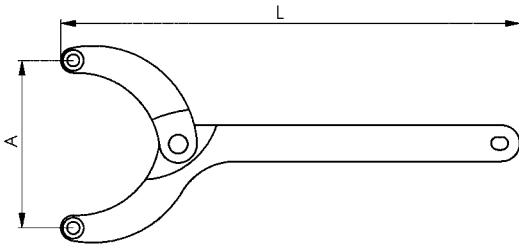
## No. 764C

**Hinged pin wrench for nuts with 2 holes**  
with electrically welded pins. With hole for hanging up. Special steel, **blued**.



Order no.	A	dia. D*	L	L1	T	Weight [g]
41038	18- 40	3	150	4	5	90
41046	18- 40	4	150	5	5	90
41053	40- 80	4	220	5	6	245
41061	40- 80	5	220	6	6	245
41079	40- 80	6	220	7	6	245
41087	80-125	6	295	7	8	615
41095	80-125	7	295	7,5	8	615
41103	80-125	8	295	8	8	615
41111	125-200	8	405	8	10	1530
41129	125-200	10	405	10	10	1530

\* Pin diameter = nominal diameter -0.1 mm (tolerance class h12)



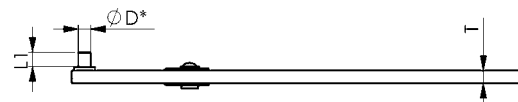
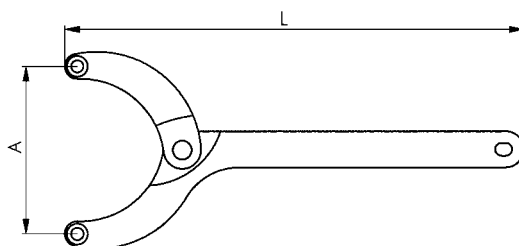
## No. 764AZ

**Hinged pin wrench for nuts with 2 holes**  
with replaceable, hardened pins (version AZ), fully assembled. With hole for hanging up. Special steel, **blued**.



Order no.	A	dia. D*	L	L1	T	Weight [g]
40998	18 - 40	3	150	4	5	90
41004	18 - 40	4	150	5	5	90
41012	40 - 80	4	220	5	6	245
41020	40 - 80	5	220	6	6	245
41137	40 - 80	6	220	7	6	245
41145	80 - 125	6	295	7	8	615
41152	80 - 125	7	295	7,5	8	615
41160	80 - 125	8	295	8	8	615
41277	125-200	8	405	8	10	1530
41285	125-200	10	405	10	10	1530

\* Pin diameter = nominal diameter -0,1 mm (tolerance class h12)



## No. 764Md

### Hinged pin wrench for nuts with 2 holes with torque-wrench fitting

Special steel, hardened and blued.  
Drive: square socket

**NEW!**

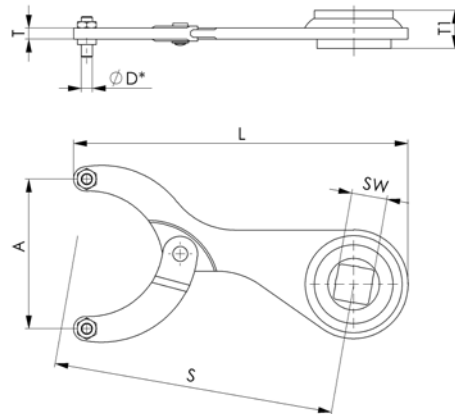


Order no.	A	Drive SW [inch]	dia. D*	Usage 764AZ4	L	S	T	T1	Weight [g]
50096	18-40	1/2	-	M4	120	100	5	16,0	150
50104	40-80	3/4	-	M6	180	150	6	20,5	440
50112	80-125	3/4	-	M6	250	220	8	20,5	780
50146	18-40	1/2	4	M4	120	100	5	16,0	155
50161	40-80	3/4	5	M6	180	150	6	20,5	450
50179	40-80	3/4	6	M6	180	150	6	20,5	455
50187	80-125	3/4	6	M6	250	220	8	20,5	795
50195	80-125	3/4	8	M6	250	220	8	20,5	800

\* Pin diameter = nominal diameter -0,1 mm (tolerance class h12)

### Note:

The set value for the torque wrench is dependant on insertion dimension „S“. The operating manual provided with your torque wrench contains the requisite information and calculation formulae.



## No. 764AZ4

### Loose pin with nut

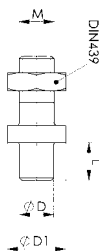
for nos. 758AZ, 759AZ, 764AZ and 764Md pin wrenches with replaceable pins. Special steel, hardened and blued.

**NEW!**



Order no.	dia. D*	dia. D1	L	M	Usage 758AZ/759AZ	Usage 764AZ/764Md	Weight [g]
47795	3	5,5	4,0	M 4	11-60	18-40	2
47803	4	7,0	5,0	M 4	11-60	18-40	2
47811	4	7,0	4,5	M 5	-	(40-80)	3
47829	5	8,5	5,5	M 5	-	(40-80)	4
47837	6	10,0	6,5	M 5	-	(40-80)	5
50328	4	8,5	4,5	M 6	14-100	40-80 / 80-125	3
47787	5	8,5	5,5	M 6	14-100	40-80 / 80-125	5
47845	6	10,0	6,5	M 6	14-100	40-80 / 80-125	7
47852	7	11,0	7,0	M 6	14-100	40-80 / 80-125	8
47860	8	12,0	7,5	M 6	14-100	40-80 / 80-125	9
47878	8	12,0	7,5	M 8	-	125-200	14
47886	10	15,0	9,5	M 8	-	125-200	19

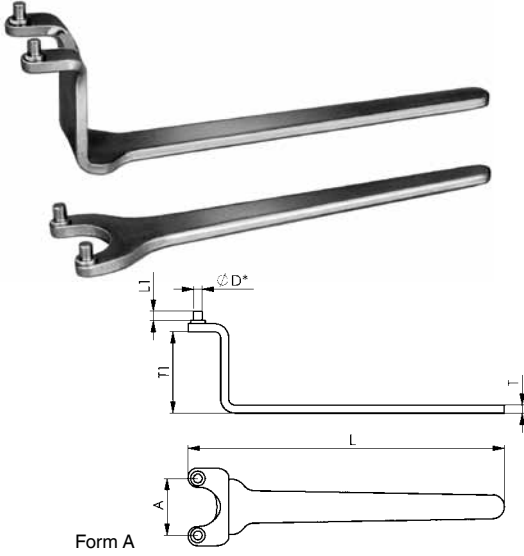
\* Pin diameter = nominal diameter -0.1 mm (tolerance class h12)



## DIN 3116

### Wrench for 2 hole nuts

Special steel, **zinc-plated**.  
With electrically welded pins.

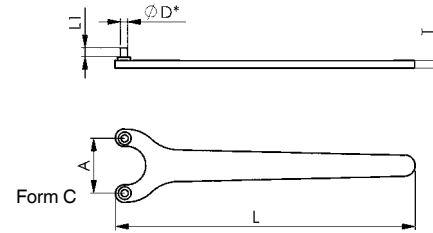


Order no.	Form	A	dia. D*	L	L1	T	T1	Weight [g]
50997	A	30	4	164	5	4	-	85
44685	A	35	5	180	6	5	-	120
44669	C	35	(5)	200	6	5	50	200

\* Pin diameter = nominal diameter -0.1 mm (tolerance class h12)  
( ) DIN extended

### Application:

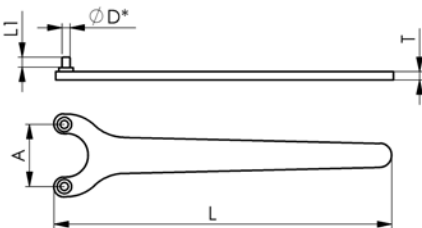
Size 35 for flange nut DIN 44716-D of angle grinder DIN 44706 for clamping grinding and cutting-off wheels.



## DIN 3116A

### Wrench for 2 hole nuts

Special steel, **blued**.  
With electrically welded pins.



Order no.	A	dia. D*	L	L1	T	Weight [g]
44453	13	2,5	90	3	3	27
44461	15	3	90	4	3	27
44479	20	(3)	122	4	4	50
44628	20	4	122	5	4	50
44636	25	3	137	4	4	65
44487	25	(4)	137	5	4	65
44495	30	4	164	5	4	85
44503	35	(4)	180	5	5	120
44644	35 **	5	180	6	5	120
44511	40	4	167	5	5	120
44529	45	4	187	5	5	145
44537	50	5	198	6	5	175
44545	60	5	213	6	6	220
44552	75	6	243	7	6	330
44560	90	7	270	7,5	6	410

\* Pin diameter = nominal diameter -0.1 mm (tolerance class h12)  
\*\* Standard size for commercially available angle-grinders and cutters.  
( ) DIN extended

### Note:

Size 13 has riveted pins.  
Sizes 13 and 15 without cut-out between pins for M8 and M10 nuts to DIN 547.

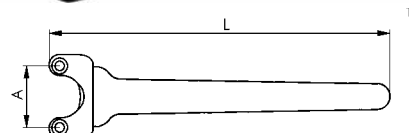
### On request:

Zinc-plated on request.

## DIN 3116C

### Wrench for 2 hole nuts

Special steel, **blued**.  
With electrically welded pins.

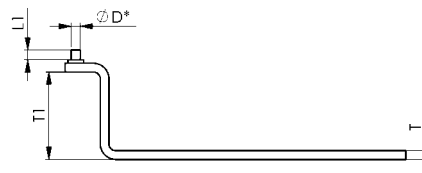


Order no.	A	dia. D*	L	L1	T	T1	Weight [g]
44651	18	3	140	4	4	15	95

\* Pin diameter = nominal diameter -0.1 mm (tolerance class h12)

### Note:

This wrench is used for adjusting timing belt tensioners (AUDI, VW).



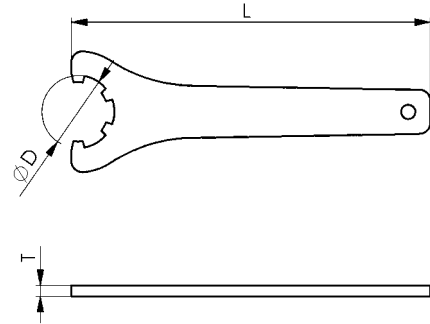
Subject to technical alterations.

## No. 250

### Collet chuck key

for collet chuck nuts (ER) to DIN 6499.  
 Special steel, hardened and zinc-plated.  
 With hole for hanging up.

Order no.	Size	DIN 6499D (Size)	D	L	T	Weight [g]
52233	16	16	32	163	4	125
52241	20	20	35	183	5	190
52258	25	25	42	203	6	255
52266	32	32	50	253	6	359
52274	40	40	63	285	6	480
52290	50	-	78	350	7	810



Subject to technical alterations.

## No. 250Md

### Key for collet chuck with torque-wrench fitting

for chuck nuts (ER) to DIN 6499.  
Drive 1/2" square socket with ball-engagement groove.  
Special steel, hardened and zinc-plated.



Order no.	Size	D	L	S	T	Weight [g]
52316	16	32	69	45	5	180
52308	25	42	85	60	6	200
52324	32	50	85	60	6	210
52340	40	63	85	60	6	220

### Advantage:

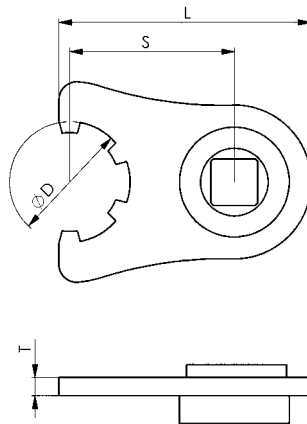
Controlled tightening prevents damage to spindle changing tools on a machine.

### Note:

The set value for the torque wrench is dependant on insertion dimension „S“.  
The operating manual provided with your torque wrench contains the requisite information and calculation formulae.

### On request:

Other sizes available.



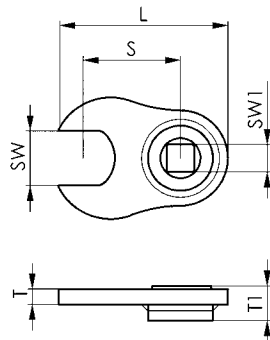
## No. 902Md

### Open-ended spanner with torque-wrench fitting

for clamping nuts. Drive 1/2" square socket with ball-engagement groove. Special steel, hardened and zinc-plated.



Order no.	SW	L	S	SW1 [inch]	T	T1	Weight [g]
52506	25	78	45	1/2	6	16	170
52514	36	101	60	1/2	7	16	255
52522	46	108	60	1/2	8	16	340



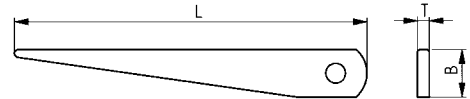


## DIN 317

### Drill drift

Special steel, hardened and **blued**.

Order no.	Size	for tapers Morse	for tapers Metric	B x T	L	Weight [g]
40147	0	0	4 + 6	12x 3	90	14
40154	1	1 + 2	-	20x 5	140	70
40162	3	3	-	25x 7	190	150
40170	4	4	-	30x10	225	310
40188	5	5 + 6	-	35x15	265	650



## No. 318

### Drill drift, semi-automatic for morse tapers

Special steel, hardened and **blued**.

Grip: powder-coated, red. With finger protection!!

Order no.	Size	for tapers Morse	Length [mm]	Weight [g]
40220	1 - 3	1 - 3	330	370
40238	4 - 6	4 - 6	380	530

#### Advantage:

- One-hand operation
- Pressure on the lever moves a gear rack between two opposing wedges (the other hand holds the tool to prevent it falling).
- Releasing tools using the **semi-automatic drift** helps prevent spindle damage.



Subject to technical alterations.

## No. 960

### Socket wrench for coolant tubes HSK-A

(Hollow cone to DIN 69893)

Blade: Special steel, hardened and **zinc-plated**.

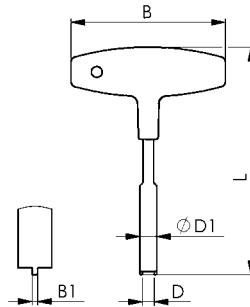
Grip: impact-resistant plastic (cadmium-free), black.



Order no.	Size = HSK-A	B	B1	D	D1	L	Weight [g]
47894	32	80	1,4	6,1	8,5	115	50
47902	40	80	1,9	8,1	10,5	115	60
47910	50	80	1,9	10,1	14,5	115	75
47928	63	100	2,4	12,2	16,5	136	125
47936	80	100	2,4	14,2	18,5	136	165
47944	100	100	2,9	16,2	22,0	136	135

#### On request:

On request with advertising or company imprint.

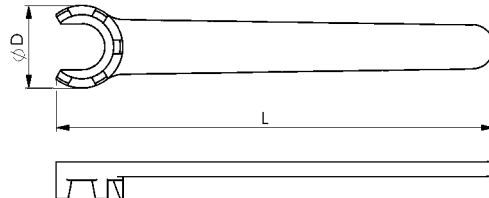


## No. 250K

### Collet chuck key (Mini)

for collet chuck nuts (ER).

Special steel, hardened and **blued**.



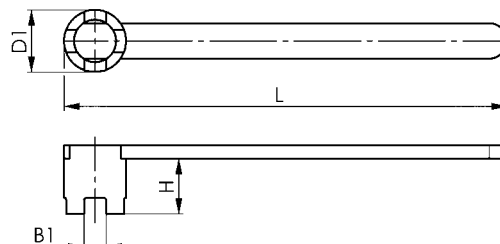
Order no.	Size	DIN 6499D (dia.)	for nuts	D	L	Weight [g]
52407	8	12	M10	13	75	14
52415	11	16	M13	17	95	30
52423	16	22	M19	23	115	50
52431	20	28	M24	29	130	61
52449	25	35	M30	35	143	78

## DIN 6368

### Wrench for milling arbor screws

for tightening milling arbor screws to DIN 6367.

Special steel, hardened and **blued**.



Order no.	Size	for DIN 6367	B1	D1	H	L	Weight [g]
44727	13	M 6	6,1	18	16	160	75
44735	16	M 8	8,1	22	20	180	110
44743	22	M10	10,1	28	25	200	200
44750	27	M12	12,1	35	32	225	400
44768	32	M16	16,1	42	36	250	570
44776	40	M20	20,2	52	40	280	800
44784	50	M24	24,2	63	45	315	1100
44792	60	M30	28,2	76	50	355	1750

The size given here is the diameter of the mandrel on the milling arbor.

Subject to technical alterations.

## DIN 22417A

### Triangular socket spanner

Special steel. Body and tommy bar, zinc-plated.

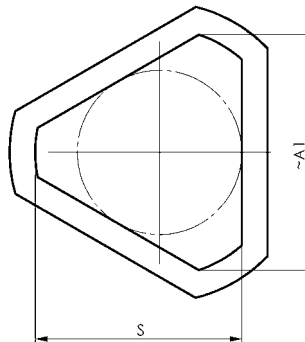


Order no.	Size	L1 x D1	L2 x D2	A1	S	Weight [g]
44354	M 4	90x10	50x 6	7,7	6,80	20
44362	M 5	100x12	65x 6	9,4	8,30	30
44370	M 6	115x14	80x 6	11,4	10,05	60
44388	M 8	125x16	100x 8	13,7	12,05	80
44396	M10	140x20	125x 8	17,1	15,05	160
44404	M12	160x22	160x10	18,9	16,55	240
44412	M16	180x25	200x12	23,5	20,55	400

\*The size refers to the screw diameter.

### Application:

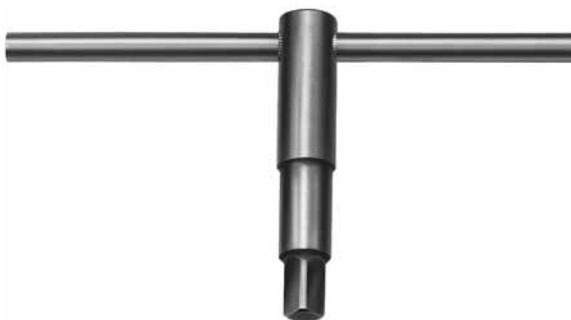
These spanners are intended for triangular-head screws to DIN 22424 and nuts to DIN 22425. The M12 size is especially suitable for installing and removing steel and aluminium access-denial posts.



## DIN 905

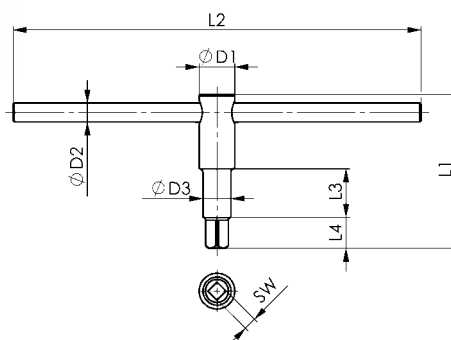
### Screwdriver for square drive bolts

Special steel, body and tommy bar hardened and blued. Tommy bar pressed in.



Order no.	SW	D1	D2	D3	L1	L2	L3	L4	Weight [g]
41988	(4)	12,0	6,0	6	60	160	20	9	70
41996	5	12,0	6,0	8	60	160	20	11	70
42002	6	12,0	6,0	10	80	160	22	12	80
42010	(7)	14,6	6,0	12	80	160	26	15	115
42028	8	16,0	9,0	14	80	180	26	15	180
42036	9	16,0	9,0	14	80	180	26	17	180
42044	10	20,0	11,0	18	100	200	30	18	320
42051	11	20,0	11,0	18	100	200	30	20	320
42069	12	24,0	12,0	20	100	250	38	21	450
42077	13	24,0	12,0	20	100	250	38	22	450
42085	14	28,0	14,6	22	120	320	38	24	780
42093	17	34,0	16,0	25	160	400	50	28	1500
42101	19	36,0	16,0	28	200	400	50	30	1850
42119	22	42,0	20,0	32	200	630	65	34	3100

( ) DIN extended



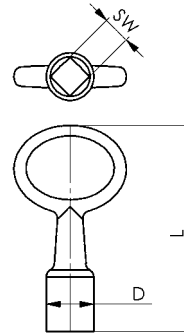
## DIN 7417

### Square socket key

Die-cast zinc, zinc-plated.

Order no.	SW	D	L	Weight [g]
56002	6	11	55	18
56010	7	12	52	18
56028	8	14	58	24
56044	10*	17	68	40

\* similar to DIN.



## No. 914Q

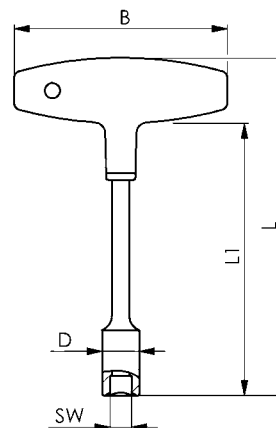
### Square socket spanner with T-grip

Blade: CHROME VANADIUM, hardened and nickel-plated.  
Grip: impact-resistant plastic (cadmium-free).

Order no.	SW	L1	B	D	L	Weight [g]
44115	8	125	100	14	151	122
44123	10	125	100	17	155	150

#### On request:

Other lengths and executions on request. On request with advertising or company imprint.



## DIN 904

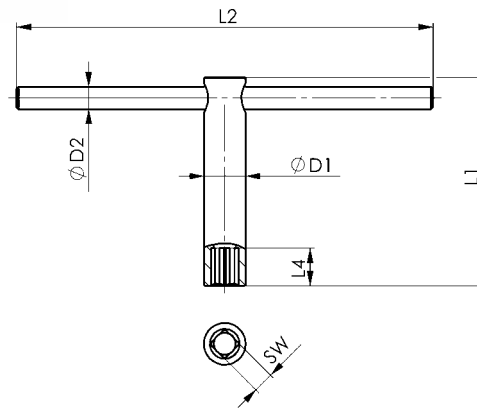
### Square socket spanner

Special steel, body and tommy bar hardened and **blued**.  
Tommy bar pressed in.



Order no.	SW	D1	D2	L1	L2	L4	Weight [g]
41665	4	12,0	6,0	60	160	11	85
41673	5	12,0	6,0	60	160	11	85
41681	6	12,0	6,0	80	160	12	100
41699	7	14,6	6,0	80	160	15	130
41707	8	16,0	9,0	80	180	15	180
41715	9	18,0	9,0	100	180	18	245
41723	10	20,0	11,0	100	200	18	340
41731	12	24,0	12,0	100	250	21	520
41749	13	24,0	12,0	100	250	22	520
41756	14	28,0	14,6	120	320	24	875
41764	17	34,0	16,0	160	400	28	1625
41772	19	36,0	16,0	200	400	30	2035
41780	22	42,0	18,0	200	500	34	2900
41798	24*	45,0	20,0	250	630	36	4270

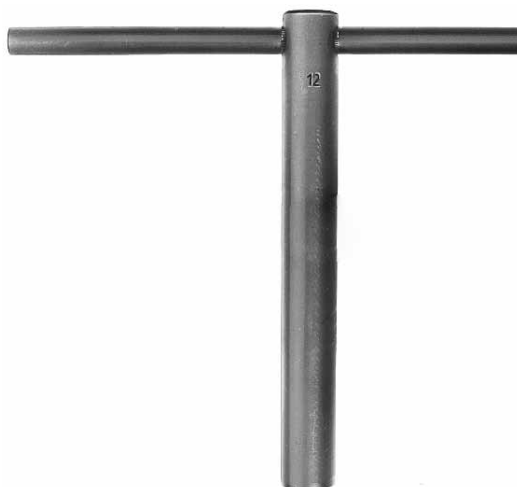
\* Contrary to DIN, shaft is not bored.



## DIN 904L

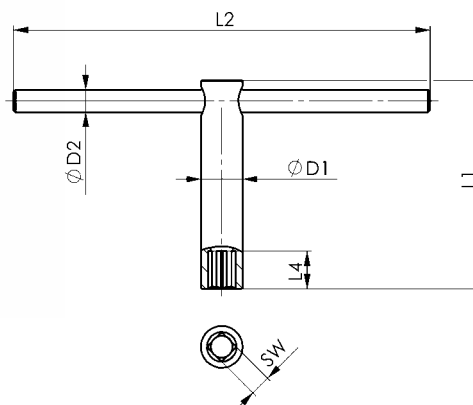
### Square socket spanner

long version. Special steel, body and tommy bar hardened and **blued**. Tommy bar pressed in.



Order no.	SW	D1	D2	L1	L2	L4	Weight [g]
41848	5	12	6,0	120	160	11	100
41855	6	12	6,0	160	160	12	110
41863	8	16	9,0	160	180	15	210
41871	9	18	9,0	200	200	18	390
41889	10	20	11,0	200	200	18	390
41897	12	24	12,0	200	250	21	600
41905	13	24	12,0	200	250	22	600
41913	14	28	14,6	200	320	24	795
41921	17*	34	16,0	250	400	28	1500
41939	19*	36	16,0	320	400	30	1700

\* Contrary to DIN, shaft is not bored.

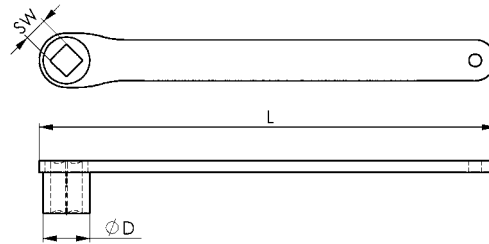


## No. 248

### Square ring spanner

Special steel, hardened and blued.

Order no.	SW	D	L	Weight [g]
40022	8	17	160	85
40030	10	21	195	165
40048	12	24	235	275
40105	13	26	250	300
40055	14	27	270	420
40063	17	31	315	530
40071	19	35	345	715
40089	22	39	385	900
40097	24	43	415	975



## No. 916Q

### Hexagon socket spanner with T-grip

Socket: CHROME-VANADIUM, hardened and matt chrom-plated.

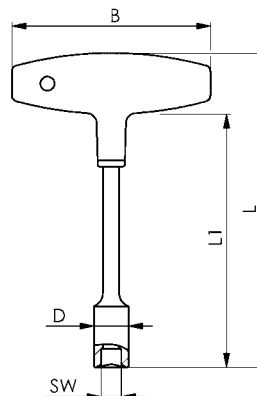
Grip: impact-resistant plastic (cadmium-free).

Order no.	SW	L1	B	D	L	Weight [g]
45161	5,5	125	100	8	155	80
44248	6	125	100	9	155	90
44255	7	125	100	11	155	90
44263	8	125	100	12	155	95
45179	9	125	100	13	155	115
44271	10	125	100	14	155	120
44206	10	230	100	14	260	160
44297	13	125	100	18	155	140
44222	13	230	100	18	260	180
45237	16	125	100	22	155	155
45245	17	125	100	24	155	160



### On request:

On request with advertising or company imprint.



Subject to technical alterations.

## DIN 894

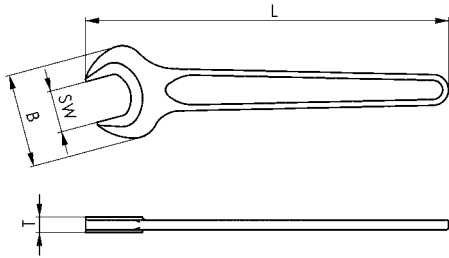
### Open-ended spanner, single-ended

Special steel forging, jaws machined, angle of jaws 15°, hardened and phosphated.



Order no.	SW	Thread metric	B	L	T	Packaging unit	Weight [g]
53579	8	5	19	94	4	10	13
53595	10	6	22	105	5	10	20
53611	12	-	26	125	5	10	28
53629	13	8	29	125	5	10	35
53645	17	10*	36	155	6	10	65
53520	18	12	39	155	7	10	70
53652	19	12*	40	170	7	10	83
53660	22	14*	46	195	8	10	105
53678	24	16	50	215	9	10	150
53686	27	18	56	240	10	10	200
53694	30	20	62	265	11	10	265
53702	32	22*	67	275	12	10	295
53710	36	24	74	300	13	10	425

\* Size to old DIN standard.



## No. 714

### Open-ended spanners, double-ended, thin version

CHROME-VANADIUM, hardened and nickel-plated. Jaws machined to ISO 691-1.



Order no.	SW	L	T	Weight [g]
51326	3x 3,5	120	1,5	8
51342	4x 4,5	120	1,5	8
51367	5x 5,5	120	1,5	8
51383	6x 6,5	120	1,5	8
51391	7x 8,0	125	2,0	18
51409	9x10,0	125	2,0	21

## No. 714T-6D

### Open-ended spanners, double-ended, thin version

in plastic tool roll, 6-piece set.



Order no.	Contents	Weight [g]
51524	3x3.5, 4x4.5, 5x5.5, 6x6.5, 7x8, 9x10	90

The table shows the across-flat (A/F) sizes of metric Withworth and BSP threads:

A/F	3	3,2	3,5	4	4,5	5	5,5	6	6,5	7	8	9	10
Metric thread size [mm] (ISO 272)	1,2 1,4	1,6	1,8	2,0	2,3	2,5	3,0	3,5	-	4,0	5,0	-	6,0
Woodscrews [mm] (DIN 571)	-	-	-	-	-	-	-	-	-	4,0	5,0	-	6,0
Sheetscrews [mm] (ISO 1479, DIN 6928)	-	2,2	-	2,9	-	-	3,5 3,9	-	3,5 3,9	4,2	4,8 5,5	-	6,3

Subject to technical alterations.

## DIN 14822

### Coupling wrench for fire hydrant couplings

Case-hardened steel, **zinc-plated**. All sharp edges broken. Grip with cold protection. Stamped DIN 14822-ABC (or BC).

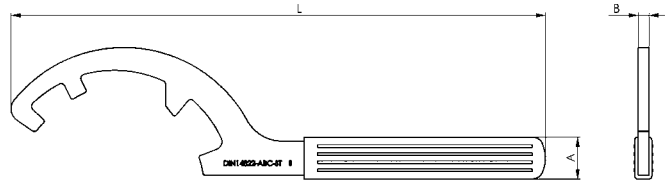
Order no.	Form	Lug spacing	for Storz	L	A	B	Weight [g]
45344	ABC	66-133	52-75-110	400	25	8	685
45336	BC	66-89	52-65-75	280	20	6	290

#### On request:

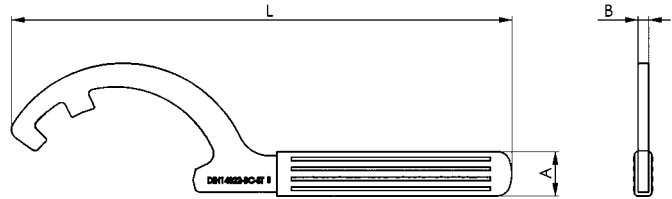
Special versions to old standard.



Form ABC



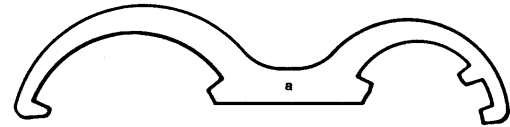
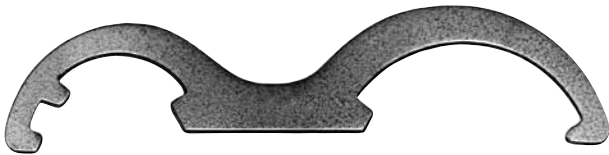
Form BC



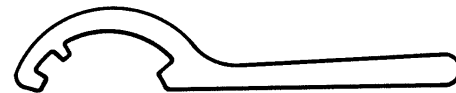
## No. 14822

### Special-Coupling wrench for fire hydrant couplings

On request, we can supply special versions.



Form ABC



Form Bc



Form C



Subject to technical alterations.



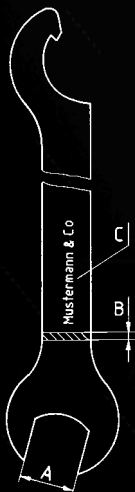
## THE MANUFACTURE OF SPECIAL HANDTOOLS TO CUSTOMERS' INDIVIDUAL REQUIREMENTS IS AN AMF SPECIALITY.

Such handtools can be either specially designed and produced, or cost-effectively modified from an item in the comprehensive AMF product range to meet your needs. To start with, drawings or sketches and the required quantities are all we need.

Specials, just as you need them, in widely differing forms and versions. Top quality for a long working life. From specialists for specialists!

Please formulate your enquiry as accurately as possible. We assure you that we will reply by return. The details we need are given in the list below:

- 1) DIN designation or drawing no.
- 2) Quantity.
- 3) Across-flats size and angle of jaws (A).
- 4) Material:  
special steel, CrV steel or stainless steel.
- 5) Execution of edges:  
punch-rounded, broken by buffing, edge ground etc.
- 6) Thickness of spanner (B).
- 7) Strength requirements:  
hardened or unhardened.
- 8) Surface finish:  
blued, nickel-plated or zinc-plated.
- 9) Marking (C):  
company name, size, description.
- 10) For hook wrenches:  
hook form, pin diameter.
- 11) For pin spanners:  
pin spacing and diameter.
- 12) Delivery date.



## No. 902

### Open-ended spanner, single-ended

stamped from steel sheet. Material, thickness, strength properties and other details to your specification.



			*	Minimum order quantity
3/3,2/3,5/4 4,5/5 5,5/6 7/8 9/10 11/12 13/14 15/16/17	65 75 75 92 100 115 135 145	11 15 15 18 21 24 30 35	1 - 2 1 - 2 1 - 3 2 - 4 2 - 4 2,5-5 3 - 6 3 - 6	100
18/19/20 21/22/23 24/25/26 27/28 30/32/34	175 195 215 235 260	42 48 54 58 66	3 - 6 4 - 8 4 - 8 4 - 8 4 - 10	50
36/41	310	84	5 - 10	25
46/50 55	385 375	102 120	5 - 10 5 - 10	10 10
60 65 70	385 385 390	120 120 140	5 - 10	10
75 80 85	410 420 445	150 158 172	5 - 10	5
90 95 100	450 465 470	180 190 200	5 - 10	5
105 110 115	500 500 510	200 210 225	6 - 12	2
120 130 135	530 560 585	235 252 265	6 - 12	2
145 150 155	595 620 620	280 280 300	7 - 15	2
165 175 180	680 690 690	330 340 355	7 - 15	2
185 190 200	700 730 740	360 360 380	7 - 15	2

\* Optimum thickness range.

## No. 685

### Open-ended spanner, single-ended, short form



			*	Minimum order quantity
8/9 10/11/12 13/14/15 16/17	85 93 98 100	22 26 30 37	2 - 4 2 - 4 2,5-5 2,5-5	100
18/19 20/21/22/23/24 25/26/27/28	100 120 130/180	40 47 55	2,5-5 3 - 6 3 - 6	50
30/32 36	140 160	66 74	4 - 8 4 - 8	25
41 46 50 55 60	170 185 185 195 208	84 96 96 106 120	5 - 10 5 - 10 5 - 10 5 - 10 5 - 10	10
65 70 75 80 85 90 95 100 105	218 245 255 275 275 280 305 310 310	125 135 142 150 170 180 185 200 205	6 - 12	5
110 115 120	330 355 360	216 235 235	7 - 15	
130 135 145 150	370 385 420 500	250 250 280 315	10 - 20	

\* Optimum thickness range.

Subject to technical alterations.

**No. 658**
**Open-ended spanner, double-ended**

(previously DIN 658)

Across-flat pairings to your specification

					Minimum order quantity
3,2 - 4,0 4,0 - 5,0 5,0 - 5,5	60 72 84	9,0 9,5 12,0	10,0 10,5 13,0	1 - 2,0 1 - 2,0 1 - 2,5	100
5,5 - 8,0 8,0 - 9,0 8,0-11,0	100 110 125	15,5 18,0 22,0	18,0 20,0 24,0	1,5 - 3 2,0 - 4 2,5 - 5	100
11 - 14 13 - 17 17 - 19	144 162 175	25,5 30,0 35,0	29,0 35,0 40,0	3,0 - 6	100 100 50
19 - 22 22 - 24 24 - 27	220 225 250	42,0 46,0 53,0	46,0 50,0 60,0	4 - 8 4 - 8 5 - 10	50
27 - 32 32 - 36	285 305	63,0 66,0	66,0 74,0	5 - 10	50

\* Optimum thickness range.

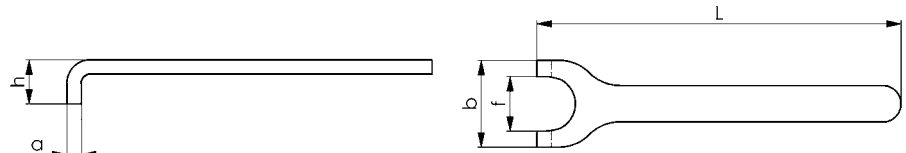

**No. 710**
**Open-ended spanner, double-ended**

(German Post standard)

					Minimum order quantity
3,2 - 4,0 4,0 - 5,0 5,0 - 5,5	90	10 11 13	11 11 13	1,5 2,0 2,5	100
5,5 - 8,0 8,0 - 9,0 8,0 - 11,0	90 125 -	14 18 -	14 18 -	3,0 4,0 -	100
9,0 - 9,0 10,0-10,0 10,5-11,0	125	20 22 24	20 22 24	5,0	100
11 - 14 13 - 17 17 - 19	125	26 30 35	26 30 35	5,0	100 100 50


**DIN 3115**
**Spanner for nuts with slotted face, version B**

Schlitzmutter-Size	a	b	f	h	L
M 5	1,8	9,8	5,5	6	50
M 6	2,3	10,8	6,5	7,5	65
M 8	2,8	13,8	9,0	9	80
M 10	3,3	17,8	11	11	90
M 12	3,8	21,8	13	12	100
M 14	3,8	23,8	15	12	100
M 16	3,8	26,8	17	14	125
M 18	3,8	29,8	19	14	140
M 20	4,8	31,8	21	15	160



Subject to technical alterations.

## ... BY ITEM NO.

Article no.	Page	Article no.	Page	Article no.	Page	Article no.	Page	Article no.	Page
DIN 14822	64	No. 248	62	No. 775SNI	46	No. 908	37	No. 911LG-HM9F	24
DIN 1810A	44	No. 250	55	No. 776C	49	No. 908L-HT13C	41	No. 911LG-HZ13D	35
DIN 1810AD	44	No. 250K	58	No. 776D	49	No. 908-TT9	37	No. 911LG-H100	27
DIN 1810B	45	No. 250Md	56	No. 776Md	50	No. 909EG7	30	No. 911LG-H100F	27
DIN 1810BD	45	No. 2936DZ	33	No. 776SC	47	No. 909ET8	41	No. 911LG-WM9	28
DIN 22417A	59	No. 2936LDZ	33	No. 902Md	56	No. 910	9	No. 911L-HM9C	20
DIN 3116	54	No. 318	57	No. 906	12	No. 911BM10D	18	No. 911L-HM9D	21
DIN 3116A	54	No. 6911 BM7	22	No. 906E	11	No. 911BM7D	18	No. 911L-HZ 9D	35
DIN 3116C	54	No. 714	63	No. 906GE	31	No. 911BZ7	36	No. 911L-TM7	19
DIN 317	57	No. 714T-6D	63	No. 906M	9	No. 911G-BM10	32	No. 911L-WM9	17
DIN 6368	58	No. 758	51	No. 906Q	12	No. 911G-C	32	No. 911L-WM9M	16
DIN 6911D	22	No. 758CC	51	No. 906QE	10	No. 911G-TM7	32	No. 911TM	19
DIN 7417	60	No. 758S	51	No. 906QE-WM7	11	No. 911-HMD	21	No. 911TZ	36
DIN 894	63	No. 764AZ	52	No. 906QGE	31	No. 911-HM9C	20	No. 911-WM9	17
DIN 904	61	No. 764AZ4	53	No. 906Q-WM7	13	No. 911HZ 9D	35	No. 911-WM9M	16
DIN 904L	61	No. 764C	52	No. 906QZ	34	No. 911L-BM8D	19	No. 911-WZ9	34
DIN 905	59	No. 764Md	53	No. 906-WM7M	13	No. 911LG-BM8C	29	No. 914Q	60
ISO 2936C	14	No. 771C	50	No. 906-WM9	13	No. 911LG-BM8D	29	No. 916Q	62
ISO 2936D	15	No. 771Md	50	No. 907LE	39	No. 911LG-C	23	No. 918-HT8C	41
ISO 2936LC	14	No. 775C	48	No. 907Q	40	No. 911LG-D	23	No. 937SH	38
ISO 2936LD	15	No. 775D	48	No. 907Q-WT7	40	No. 911LG-HMC	25	No. 960	58
No. 966QGE	31	No. 775NI	48	No. 907S	39	No. 911LG-HM7D	28	Nr. 911LG-TM9	30
No. 14822	64	No. 775SC	46	No. 907SH	38	No. 911LG-HM9D	25		

## ... BY ORDER NO.

Order no.	Page	Order no.	Page	Order no.	Page	Order no.	Page	Order no.	Page
44800	9	41137	52	42184	12	42721	15	43521	33
44875	9	41145	52	42192	12	42739	15	43539	33
47100	27	41152	52	42200	12	42747	15	43547	33
47175	27	41160	52	42218	12	42754	15	43554	33
40063	62	41277	52	42234	12	42762	15	43562	33
40071	62	41285	52	42242	12	42770	15	43570	33
40089	62	41665	61	42259	12	42788	15	43588	33
40097	62	41673	61	42283	13	42796	15	43596	15
40105	62	41681	61	42291	13	42895	15	43604	33
40147	57	41699	61	42341	28	42903	15	43612	33
40154	57	41707	61	42358	14	42911	15	43638	33
40162	57	41715	61	42366	14	42937	15	43646	33
40170	57	41723	61	42374	14	42945	15	43703	14
40188	57	41731	61	42382	14	42952	15	43711	14
40220	57	41749	61	42390	14	42960	15	43729	14
40238	57	41756	61	42408	14	42978	15	43737	14
40477	51	41764	61	42416	14	42986	15	43745	14
40485	51	41772	61	42424	14	42994	15	43752	14
40493	51	41780	61	42432	14	43000	15	43760	14
40618	51	41798	61	42440	14	43018	15	43778	14
40626	51	41848	61	42457	14	43067	14	43786	14
40634	51	41855	61	42465	14	43273	33	43794	14
40758	51	41863	61	42473	14	43281	33	43802	14
40766	51	41871	61	42481	14	43299	15	43810	14
40774	51	41889	61	42499	14	43307	33	43836	37
40899	51	41897	61	42507	14	43315	33	43851	19
40907	51	41905	61	42515	14	43323	33	43869	19
40915	51	41913	61	42523	14	43331	33	43877	19
40931	11	41921	61	42531	14	43349	33	43885	30
40949	11	41939	61	42549	14	43356	33	43893	36
40956	11	41988	59	42556	14	43364	33	43901	36
40998	52	41996	59	42564	14	43372	33	43919	36
41004	52	42002	59	42572	14	43380	33	43927	19
41012	52	42010	59	42580	14	43398	33	44032	16
41020	52	42028	59	42606	13	43406	33	44040	16
41038	52	42036	59	42614	15	43414	33	44057	34
41046	52	42044	59	42630	15	43422	33	44065	17
41053	52	42051	59	42648	15	43430	33	44099	17
41061	52	42069	59	42655	15	43448	33	44115	60
41079	52	42077	59	42663	15	43455	33	44123	60
41087	52	42085	59	42671	15	43463	33	44156	35
41095	52	42093	59	42689	15	43471	33	44164	35
41103	52	42101	59	42697	15	43497	33	44180	35
41111	52	42119	59	42705	15	43505	33	44206	62
41129	52	42168	12	42713	15	43513	33	44222	62

## ... BY ORDER NO.

Order no.	Page	Order no.	Page	Order no.	Page	Order no.	Page	Order no.	Page
44248	62	45336	64	46763	39	49072	10	52209	48
44255	62	45344	64	46771	39	49080	10	52217	48
44263	62	45369	41	46789	21	49098	10	52225	48
44271	62	45377	22	46797	21	<b>49106</b>	10	52233	55
44297	62	45385	22	<b>46805</b>	25	49114	10	52241	55
<b>44354</b>	59	45393	22	46813	28	49122	10	52258	55
44362	59	<b>45401</b>	22	46847	38	49130	10	52266	55
44370	59	45419	22	46854	38	49148	10	52274	55
44388	59	45427	22	46862	38	49155	10	52290	55
44396	59	45435	22	46870	38	49163	10	<b>52308</b>	56
<b>44404</b>	59	45443	22	46888	38	49171	10	52316	56
44412	59	45450	22	46896	38	49189	10	52324	56
44453	54	<b>45641</b>	30	<b>46987</b>	38	49197	10	52340	56
44461	54	45658	41	<b>47001</b>	24	<b>49205</b>	10	<b>52407</b>	58
44479	54	45666	9	<b>47100</b>	27	49213	10	52415	58
44487	54	<b>45757</b>	31	47118	31	49221	10	52423	58
44495	54	45765	31	47126	31	49239	10	52431	58
<b>44503</b>	54	45773	31	47134	31	49247	10	52449	58
44511	54	45781	31	47142	31	49254	10	<b>52506</b>	56
44529	54	<b>45823</b>	23	47175	27	49262	10	52514	56
44537	54	45831	23	<b>47209</b>	23	49270	10	52522	56
44545	54	45849	23	47217	23	49288	10	<b>52753</b>	50
44552	54	45856	23	47225	23	<b>49577</b>	11	52761	50
44560	54	45864	23	47233	23	<b>50096</b>	53	<b>53058</b>	49
<b>44628</b>	54	45872	23	47241	23	<b>50104</b>	53	53066	49
44636	54	45880	23	47258	23	50112	53	53074	49
44644	54	45898	23	47266	23	50146	53	53082	49
44651	54	<b>45906</b>	40	47274	23	50161	53	53090	49
44669	54	45914	40	47282	23	50179	53	<b>53108</b>	49
44685	54	45922	40	47290	23	50187	53	53116	49
<b>44727</b>	58	45930	40	<b>47407</b>	39	50195	53	53124	49
44735	58	45948	40	47415	39	<b>50328</b>	53	53132	49
44743	58	45955	40	47423	39	<b>50427</b>	51	53140	49
44750	58	45963	40	47431	39	<b>50914</b>	51	53157	49
44768	58	45989	40	47449	39	50922	51	53165	49
44776	58	<b>46003</b>	19	47456	39	50930	51	53173	49
44784	58	46011	29	47464	38	50948	51	53181	49
44792	58	46029	40	47472	38	50997	54	53199	49
<b>44800</b>	9	46037	18	47480	38	<b>51201</b>	50	<b>53520</b>	63
44826	18	46052	32	47498	38	51219	50	53579	63
44842	36	46060	23	<b>47506</b>	38	51227	50	53595	63
44867	22	46078	29	47514	38	<b>51326</b>	63	<b>53611</b>	63
44875	9	46086	23	47522	38	51342	63	53629	63
44883	34	<b>46102</b>	32	47530	38	51367	63	53645	63
44891	34	46185	38	<b>47613</b>	31	51383	63	53652	63
<b>44909</b>	34	<b>46458</b>	32	47621	31	51391	63	53660	63
44917	34	46466	32	47639	31	<b>51409</b>	63	53678	63
44925	34	46474	32	47670	31	<b>51516</b>	50	53686	63
44933	34	46490	32	<b>47787</b>	53	51524	63	53694	63
44958	12	<b>46516</b>	32	47795	53	51532	50	<b>53702</b>	63
44966	12	46524	25	<b>47803</b>	53	51557	50	53710	63
44974	12	46532	32	47811	53	<b>51649</b>	48	<b>54387</b>	44
44982	12	46540	37	47829	53	51656	48	<b>54403</b>	44
44990	12	46557	32	47837	53	51664	48	54429	44
<b>45005</b>	12	46565	37	47845	53	51672	48	54445	44
45013	12	46573	32	47852	53	51680	48	<b>54585</b>	44
45021	12	46581	37	47860	53	<b>51730</b>	48	54593	44
45039	12	46599	32	47878	53	51748	48	<b>54601</b>	44
45047	12	<b>46607</b>	37	47886	53	51755	48	54619	44
45054	12	46615	37	47894	58	51763	48	54627	44
45062	12	46623	37	<b>47902</b>	58	51771	48	54635	44
45070	12	46631	37	47910	58	<b>51821</b>	47	54643	44
45096	12	46649	37	47928	58	51839	47	54650	44
<b>45112</b>	12	46656	37	47936	58	51847	47	54668	44
45120	34	46664	37	47944	58	51854	47	54676	44
45161	62	46672	37	<b>48900</b>	41	51862	47	54684	44
45179	62	46680	37	<b>49007</b>	10	51870	47	54692	44
<b>45237</b>	62	46698	37	49015	10	51888	47	<b>54700</b>	44
45245	62	<b>46706</b>	37	49023	10	51896	47	54718	44
45252	34	46722	40	49031	10	<b>51904</b>	47	54726	44
45260	34	46730	39	49049	10	51912	47	54734	44
45294	34	46748	39	49056	10	<b>52183</b>	48	54742	44
<b>45310</b>	34	46755	39	49064	10	52191	48	54759	44

**... BY ORDER NO.**

Order no.	Page	Order no.	Page	Order no.	Page	Order no.	Page	Order no.	Page
54767	44	54957	45	55137	44	55442	45	56697	46
54775	44	54965	45	55152	44	55459	45	56705	46
54783	44	54973	45	55160	44	55467	45	56713	46
54791	44	54981	45	55178	44	55475	45	56721	46
54809	44	54999	45	55186	44	55483	45	56739	46
54817	44	55004	45	55202	44	55491	45	56796	46
54825	44	55012	45	55210	44	55509	45	56804	46
54841	44	55020	45	55236	44	55517	45	56812	46
54874	45	55038	45	55251	44	55525	45	56820	46
54882	45	55046	45	55269	44	55533	45	56838	46
54890	45	55053	45	55277	44	55541	45	89425	20
54908	45	55061	45	55285	44	55558	45	89433	20
54916	45	55079	45	55400	45	56002	60		
54924	45	55103	44	55418	45	56010	60		
54932	45	55111	44	55426	45	56028	60		
54940	45	55129	44	55434	45	56044	60		

**... IN ALPHABETICAL ORDER**

Description	Page
<b>A</b>	
Adjustable face spanner set	51
Adjustable hook wrench with nose	50
Adjustable pin wrench for nuts with 2 holes	51
<b>B</b>	
Ball-ended hexagon key - Key box	29
Ball-ended hexagon key - Key holder (Combiclip)	29, 32
Ball-ended hexagon key - Key holder (metric)	25
Ball-ended hexagon key - Key wallet	30
Ball-ended hexagon key - Workshop stand (mm)	30, 32
Ball-ended hexagon key (metric)	31, 32
Ball-ended hexagon key (metric), long version	23
Ball-ended hexagon key 100° - key holder	27
Ball-ended SCHRAUB-boy	30
Ball-ended TORX hexagon key	41
Biketool	9
<b>C</b>	
Collet chuck key	55
Collet chuck key (Mini)	58
COLOR ball-ended hexagon key - key holder	24
COLOR ball-ended hexagon key 100° - key holder	27
Coupling wrench for fire hydrant couplings	64
<b>D</b>	
Double hexagon key (metric) with ergonomic 2-component T-grip	31
Drill drift	57
Drill drift, semi-automatic for morse tapers	57
<b>H</b>	
Hexagon key (metric) with ergonomic 2-component screwdriver grip	11
Hexagon key (metric) with ergonomic 2-component T-grip	10
Hexagon key (metric) with pilot	22
Hexagon keys (inch)	33
Hexagon keys (inch), long version	33
Hexagon keys (inch) with T-grip	34
Hexagon keys (metric)	14
Hexagon keys (metric), long version	14, 15
Hexagon keys (metric) with screwdriver handle	14, 15, 15
Hexagon keys (metric) with T-grip	12
Hexagon socket spanner with T-grip	62
Hinged hook wrench with nose, assembly version	46
Hinged hook wrench with nose, industrial version	48
Hinged hook wrench with pin and and torque-wrench fitting	50
Hinged hook wrench with pin, assembly version	47
Hinged hook wrench with pin, industrial version	49
Hinged pin wrench for nuts with 2 holes	52
Hinged pin wrench for nuts with 2 holes with torque-wrench fitting	53
Hock wrench with pin	45
Hook wrench with nose	44
Hook wrench with pin	45

Description	Page
<b>K</b>	
Key box (inch)	36
Key box (metric)	18
Key for collet chuck with torque-wrench socket	18, 19, 22
Key holder, ball-ended (inch)	35
Key holder (inch)	35
Key holder (metric)	20
Key wallet (metric)	20, 21
Key wallets (inch)	36
<b>L</b>	
Loose pin with nut	53
<b>O</b>	
Open-ended spanner, single-ended	63
Open-ended spanner with torque-wrench socket	56
Open-ended spanners, double-ended, thin version	63
<b>S</b>	
SCHRAUB-boy (metric)	9
Screwdriver for square drive bolts	59
Socket wrench for coolant tubes HSK-A	58
Special-Coupling wrench for fire hydrant couplings	64
Square ring spanner	62
Square socket key	60
Square socket spanner	61
Square socket spanner with T-grip	60
<b>T</b>	
TORX angled key	37
TORX key holder	41
TORX key wallet	37
TORX key with ergonomic 2-component screwdriver grip	39
TORX key with small grip	39
TORX key with T-grip	40
TORX keys with flag-type grip	38
TORX SCHRAUB-boy	41
TORX workshop stand	40
TORX-PLUS keys with flag-type grip	38
Triangular socket spanner	59
<b>W</b>	
Workshop stand (inch)	34
Workshop stand (metric)	11
Workshop stand (metric), metal	11, 13, 17
Wrench for milling arbor screws	11, 13, 16, 17
Wrench for 2 hole nuts	54

These conditions of sale apply to business conducted with companies, legal entities in the public sector, and legal entities with special budget in the public sector. Our deliveries and services are carried out exclusively on the basis of the conditions stated below. Deviating purchasing conditions of the buyer will not become part of the contract, not even through acceptance of the order, unless we have expressly accepted them.

## 1. Offer and entering into a contract

The basis of our delivery contracts is the latest edition of our catalogue. Orders are not considered as accepted until they have been confirmed by us in writing. When goods are supplied from stock and, for organisational reasons, you receive no separate confirmation, the invoice has the additional function of confirming the order. Details of dimensions and weights, and illustrations, drawings and data are not binding and may be changed by us at any time. Deviations cannot be excluded.

## 2. Prices

Prices are quoted in EUR ex-works excluding turnover tax, packing, freight, carriage, and insurance. Unless otherwise agreed, our list prices on the day of delivery apply. In order to cover our costs, orders under EUR 50.– net value are subject to a small order surcharge of EUR 10.–.

## 3. Delivery

Delivery delays are quoted to the best of our knowledge but without guarantee. Agreed delivery delays begin on the day we accept the order and refer to the completion of the goods in our works.

## 4. Transfer of risk

Risks are transferred to you when the goods are passed to a specific person, company, or organisation that is charged with the execution of carriage of the goods. This applies also to partial deliveries and when we have accepted the costs of carriage, delivery or erection. The risks are also transferred to you when you have defaulted on acceptance.

## 5. Dispatch

Goods are supplied ex-works. Dispatch is at your cost and risk. Scheduled, FOB, and CIF deliveries are also at your risk. In the absence of specific instructions concerning dispatch, we will arrange same as we think fit, but without accepting any responsibility for choosing the cheapest or most suitable method of dispatch. We make a handling charge of EUR 5.– if goods are sent at your request to a third party. You accept that your order can be supplied in partial deliveries insofar as this is reasonable.

## 6. Reservation of proprietary rights

Goods delivered remain our property until payment of all claims has been received in full or until redemption of cheques given in payment. The cancellation of individual positions in an open invoice and the drawing of a balance and its acceptance do not affect proprietary rights. You have the right to dispose of the goods as a normal commercial transaction, but you are forbidden to pawn, mortgage, or transfer ownership of them in settlement of a debt or debts. You surrender to us herewith your right to payment for goods for which we reserve our proprietary rights. You have the right to collect these payments as long as you meet your obligations to us. If we request it, you are obliged to name the third party and we have the right to publish this information and the transfer of rights.

## 7. Cancellation rights due to late payment or insolvency

If you do not pay for the goods by the time payment is due, and if you have not paid after expiry of a reasonable time limit set by us, we have the right to withdraw from the contract and demand the return of goods already supplied. Rights under § 323 BGB (BGB = German civil law code) remain otherwise unaffected. Application for the opening of insolvency proceedings gives us the right to withdraw from the contract and demand the immediate return of goods supplied before the bankruptcy court orders protective measures.

## 8. Packaging

Packages comply with the German packaging regulations (WO). Disposable packaging is charged at cost. The packaging is not returnable.

## 9. Tooling costs

In the absence of any agreement to the contrary, tooling made for the execution of an order remains our property in all cases. This applies even if we have made a charge for a proportion of the tooling costs.

## 10. Payment

Our invoices are payable net within 30 days of the date of the invoice, or with 2% discount if paid within 10 days. Invoices below EUR 50.– are payable immediately without discount. Our credit notes and your charges on us reduce the amount subject to discount. Late payment entitles us to interest at the rate the bank charges us for a current account overdraft but at least 8 percent above the current base rate of the European Central Bank. If payment is overdue, we are entitled, after giving you notice in writing, to cease fulfilling our obligations under the contract until payment is received.

## 11. Offsetting exclusion

You can only offset payments with legally-established or unopposed counter claims.

## 12. Guarantee

If you come to an agreement with us on properties of the goods, we include this agreement in our technical specifications. If we have to supply to your drawings, specifications, samples, etc., you accept the risk associated with suitability for the intended purpose. The point in time at which risk is transferred is decisive for the contractual condition of the goods. The deterioration of parts subject to wear in the course of normal use does not constitute a defect. If the goods supplied are defective, we will – at our choice and within a reasonable time limit set by you – supply a replacement or repair the goods. If such repair or replacement is not satisfactory, you have the right to reduce the price or withdraw from the contract. Any further guarantee claims are excluded. Recognisable defects must be notified at the latest within 10 days of receipt and defects that are not recognisable must be notified as soon as they are discovered. The guarantee period is 24 months and starts with dispatch of the goods from our works.

## 13. Hindered or impossible performance

If we are prevented from meeting our obligation by some unforeseeable event (e.g. disruption of our plant, or delay in the delivery of important raw materials), which, in spite of taking all reasonable care appropriate to the circumstances of the case, we have been unable to avert, and it has become impossible to execute the delivery or service punctually, the delivery delay will be extended to an appropriate extent.

## 14. Liability

Except in the case of injury to life or limb, or damage to health caused by our breach of duty, we are only liable in the event of intent or culpable negligence on our part.

## 15. Customer specials

Orders for customer specials must be in writing and include binding details of execution, quantities etc. For technical reasons we reserve the right to supply 10% more or less than the quantity specified. If technical changes or cancellations are required, the costs incurred will be charged to the customer.

## 16. Deliveries of samples and return of goods

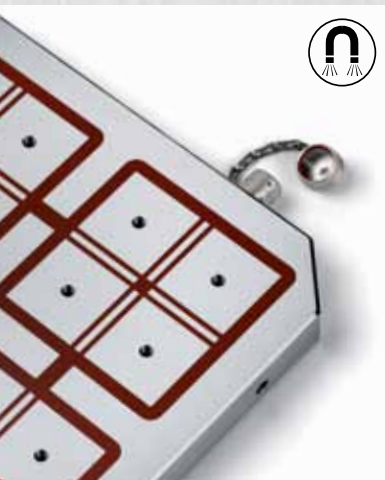
Samples will be charged. When goods have been sent for testing or as samples, we will credit you with the additional price against subsequent orders, as long as the net contract value is at least EUR 125.–. The return of goods is only possible with prior agreement. Customer specials may not be returned. For goods returned for reasons outside our responsibility (e.g. wrongly ordered), we charge 10% of the value of the goods but at least EUR 7.50, to cover administration costs.

## 17. Place of fulfilment, court of jurisdiction

The place of fulfilment for all obligations arising from this contract is D-70707 Fellbach. The court of jurisdiction for any legal dispute arising from this contract is D-71332 Waiblingen. (All disputes that arise from this contract or about its validity will be decided by a court of arbitration according to the Arbitration Rules of the German Committee for Arbitration Courts/Settlement and Arbitration Procedure of the International Chamber of Commerce. Such decisions will be final and normal legal procedures are excluded.) German law applies (BGB and HGB = civil and commercial codes). The application of UN purchasing law (CISG) is excluded.

## 18. Validity clause

If individual conditions should be found to be not legally valid, the remaining conditions continue to apply. The invalid conditions will be replaced by conditions which fulfil as closely as possible the commercial intent of the contract with reasonable consideration of the interests of both parties. With the publication of these Conditions for Sales, Deliveries and Payment, all previous versions of these Conditions are hereby declared invalid. This does not apply to contracts agreed before publication.



MAGNETIC CLAMPING TECHNOLOGY



HYDRAULIC CLAMPING SYSTEMS



„ZERO-POINT“ CLAMPING SYSTEM



CLAMPING AND FIXTURE SYSTEMS



TOGGLE CLAMPS, MANUAL AND PNEUMATIC



VACUUM CLAMPING TECHNOLOGY



STANDARD CLAMPING ELEMENTS



LOCKS FOR DOORS AND GATES



**CLAMPING. SCREWING. LOCKING.**

Catalogue order no. 189282 · € 3,60