

Series 301, 311 Product Overview

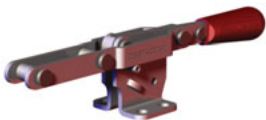
Features:

- Fixed stop automatically limits handle travel at various clamping positions once the clamp is installed
- Model 301 available in stainless steel as 301-SS

Applications:

- Molding
- Closures for doors, lids, covers
- Assembly

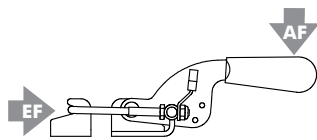
301
301-SS



311

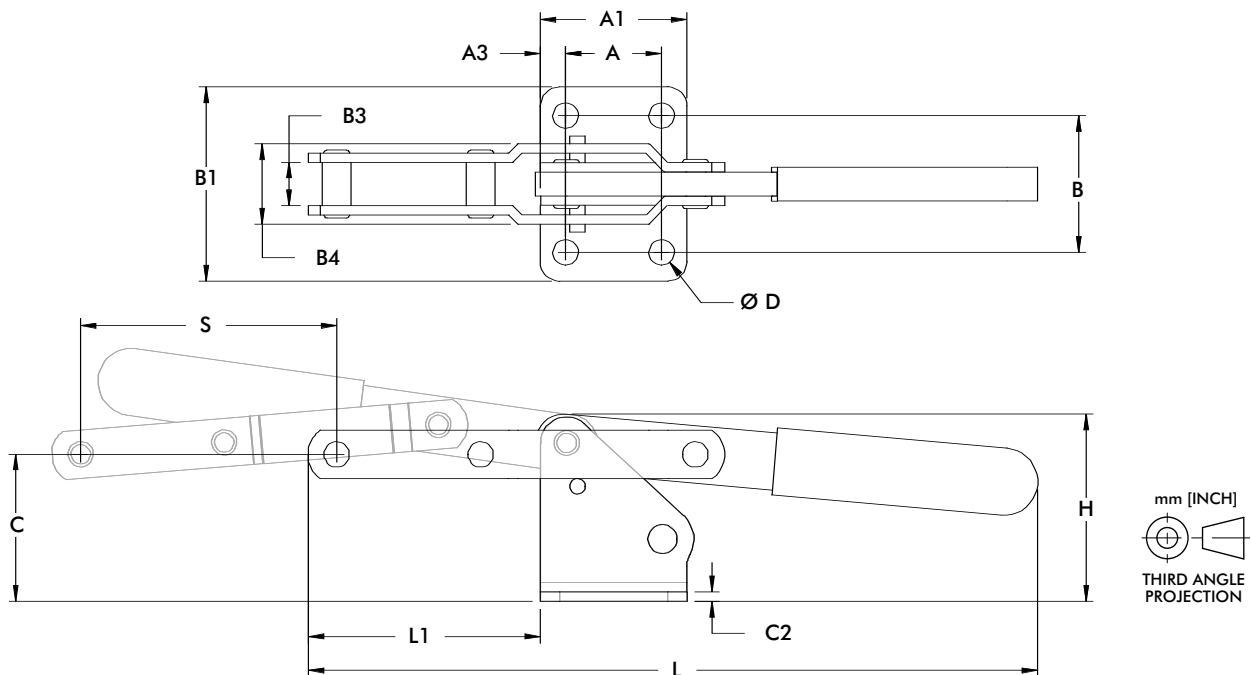


Series 301, 311 Technical Information, Holding Capacities, Standard Clamp Dimensions



Model	Max. Holding Capacity	Weight	EF:AF	Drawing Movement
301	1670 N [375 lbf]	0,32kg [0.70lb]	29:1	101,6 [4.00]
301-SS	2000 N [450 lbf]			
311	5340 N [1200 lbf]	0,53kg [1.16lb]	31:1	85,9 [3.38]

EF = Exerting Force, AF = Applied Force



Model	A	A1	A3	B	B1	B3	B4	C	C2	ØD	H	L	L1	S
301	[0.75]	[1.38]	[0.32]	[1.25]	[1.75]	[0.56]	[1.04]	[1.52]	[0.12]	[0.28]	[1.91]	[8.33]	[3.04]	[4.00]
301-SS	19,1	35,1	8	31,8	44,5	14,1	26,4	38,6	3,1	7,1	48,4	211,5	77,1	101,6
311	[1.25]	[1.91]	[0.33]	[1.78]	[2.53]	[0.56]	[1.05]	[1.91]	[0.12]	[0.33]	[2.44]	[9.49]	[3.02]	[3.88]
	31,8	48,4	8,3	45,2	64,3	14,3	26,6	48,6	3,1	8,4	61,9	241,2	76,7	85,9

Features:

- Heavy duty cast steel or stainless steel construction with ergonomic handle
- Replaceable stainless steel pivot pins

Applications:

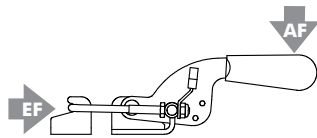
- Molding
- Closures for doors, lids, covers
- Assembly

3011

3011-SS

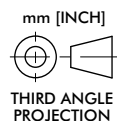
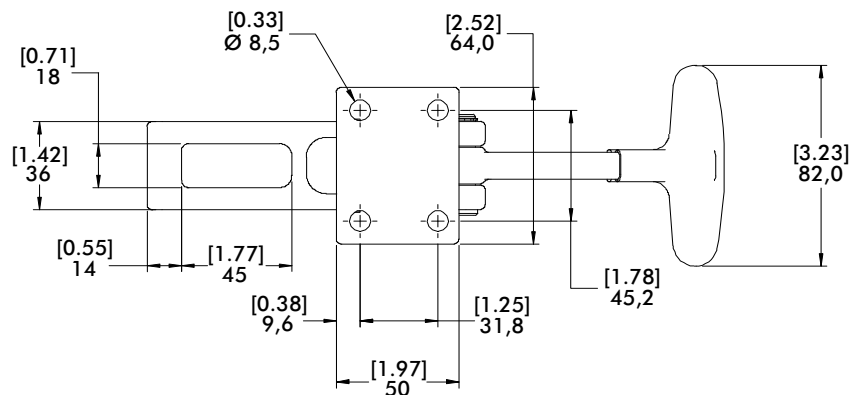
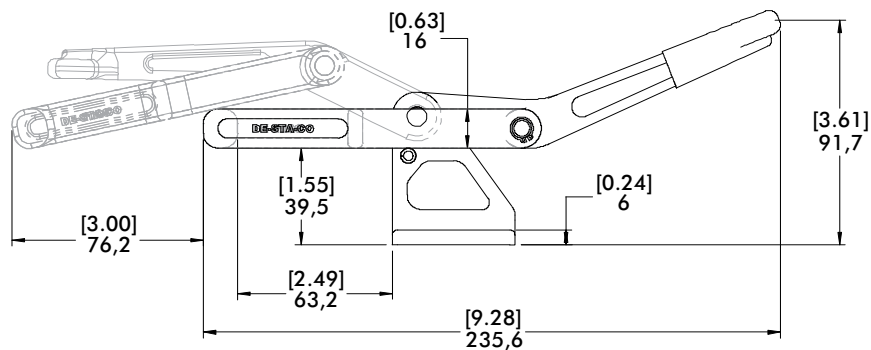


Series 3011 Technical Information, Holding Capacities, Standard Clamp Dimensions



Model	Max. Holding Capacity	Weight	EF:AF	Drawing Movement
3011	8900 N [2000 lbf]	0,91kg [2.00lb]	31:1	76,2 [3.00]
3011-SS				

EF = Exerting Force, AF = Applied Force



Series 3051 Product Overview

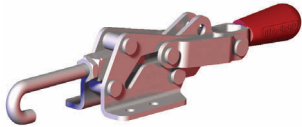
Features:

- Safe, single handed operation
- Innovative controlled motion
- Secure toggle locking action
- Simple set-up and adjustment
- Clamp hook/arm moves and stays safely out of the way

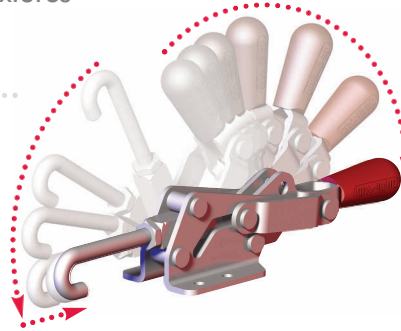
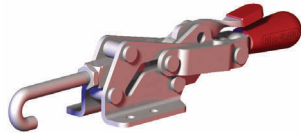
Applications:

- Molding
- Closures for doors, lids, covers
- Assembly
- Checking fixtures

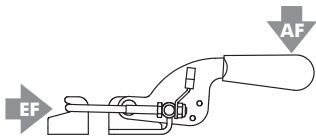
3051



3051-R

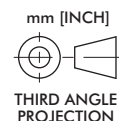
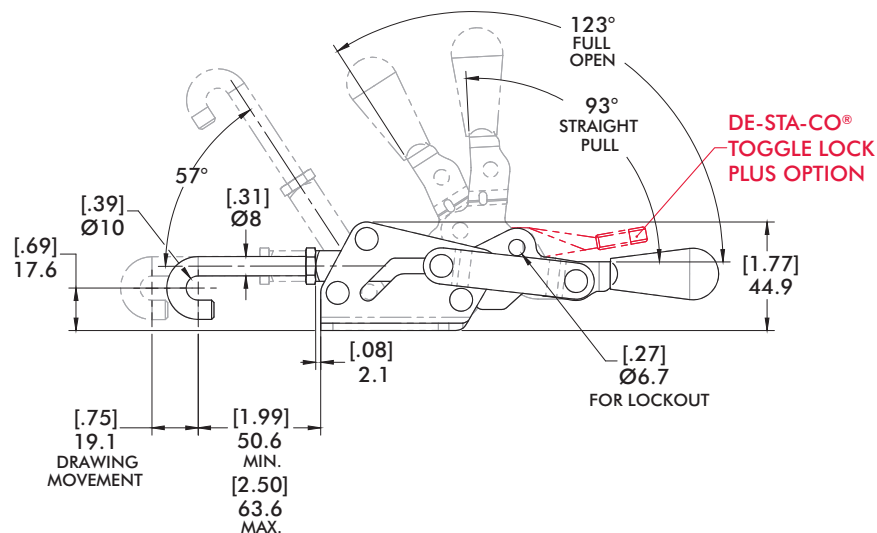
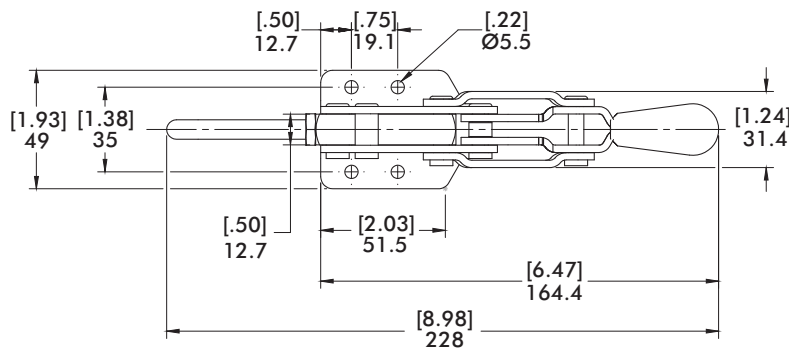


Series 3051 Technical Information, Holding Capacities, Standard Clamp Dimensions



Model	Max. Holding Capacity	Weight	EF:AF	Drawing Movement	Replacement Hook Assembly
3051	6700N [1500lbf]	0,50kg [1.0lb]	12:1	19,1 [0.75]	3051208
3051-R					

EF = Exerting Force, AF = Applied Force



Series 323, 331, 341 Product Overview

Features:

- U-hook style latch clamps are supplied with threaded U-hooks for easy adjustment
- Supplied with latch plate and patented thumb control lever for one handed operation
- DE-STA-CO® Toggle Lock Plus versions available
- Stainless steel version available as **-SS** models

Applications:

- Molding
- Closures for doors, lids, covers
- Assembly

Also Available:

- Clamps with longer hooks available Upon Request that are 25mm, 50mm, 100mm longer than standard length
- To order clamp with longer hook, add **-M-25**, **-M-50**, or **-M-100** to the end of the model. Example: 323-**M-50**

Covered under one year or more U.S./International Patents

323
323-SS



323-R
323-RSS
with DE-STA-CO®
Toggle Lock
Plus



331
331-SS



331-R
331-RSS
with
DE-STA-CO®
Toggle Lock
Plus



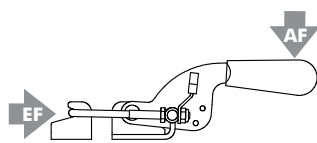
341
341-SS



341-R
341-RSS
with DE-STA-CO®
Toggle Lock
Plus



Series 323, 331, 341 Technical Information, Holding Capacities



Model	Max. Holding Capacity	Weight	EF:AF	Drawing Movement	Latch Plate (Supplied)	Replacement Hook Assembly	Hook Adj. Range
323				30 [1.18]	323104-M	323215	
323-SS	1600 N [360 lbf]	0,07kg [0.15lb]	27:1	29,7 [1.17]	323104-MSS	323915	10.7 [0.42]
323-R					323104-M	323215	
323-RSS					323104-MSS	323915	
331					331005	331215	
331-SS	3200 N [720 lbf]	0,25kg [0.56lb]	32:1	44,5 [1.75]	331905	331915	22.1 [0.87]
331-R					331005	331215	
331-RSS					331905	331915	
341					341005	341215	
341-SS	8900 N [2000 lbf]	0,65kg [1.43lb]	29:1	63,5 [2.50]	341905	341915	24.6 [0.97]
341-R					341005	341215	
341-RSS					341905	341915	

EF = Exerting Force, AF = Applied Force



Series 385 Product Overview

Features:

- Heavy duty U-hook style latch clamps are supplied with threaded U-hooks for easy adjustment
- Supplied with patented thumb control lever for one handed operation
- DE-STA-CO® Toggle Lock Plus versions available

Applications:

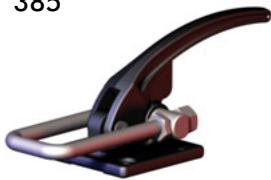
- Molding
- Closures for doors, lids, covers
- Assembly

Also Available:

- Clamps with longer hooks available Upon Request that are 25mm, 50mm, 100mm longer than standard length
- To order clamp with longer hook, add **-M-25**, **-M-50**, or **-M-100** to the end of the model. Example: 385-**M-50**

Covered under one year or more U.S./International Patents

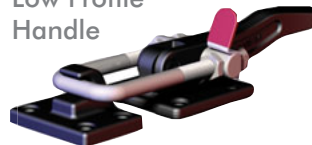
385



385-**R** with DE-STA-CO® Toggle Lock Plus



385-**L** Low Profile Handle



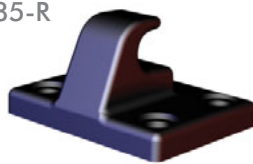
385-**V2A** ⓘ Stainless Steel



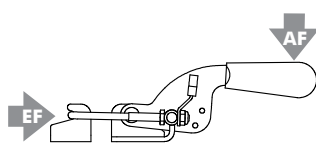
375509 Optional Cleat



385102 Optional Latch Plate for 385, 385-R and 385-L



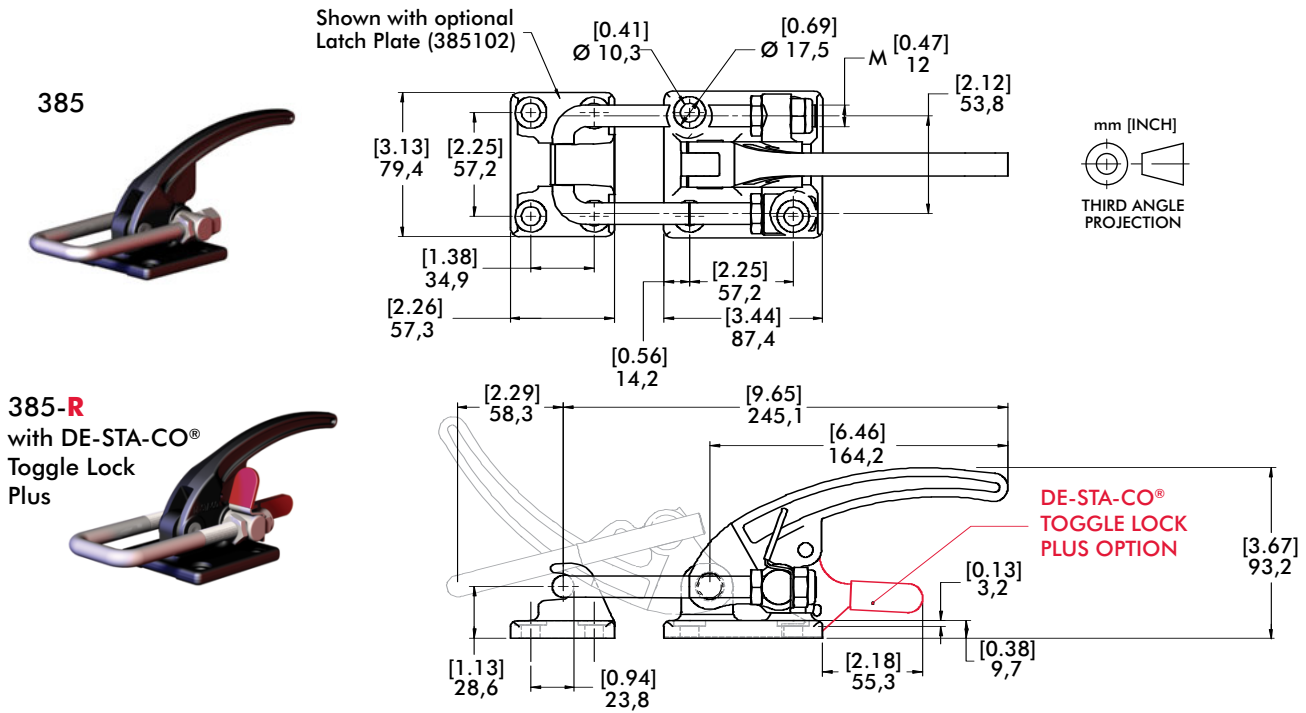
Series 385 Technical Information, Holding Capacities



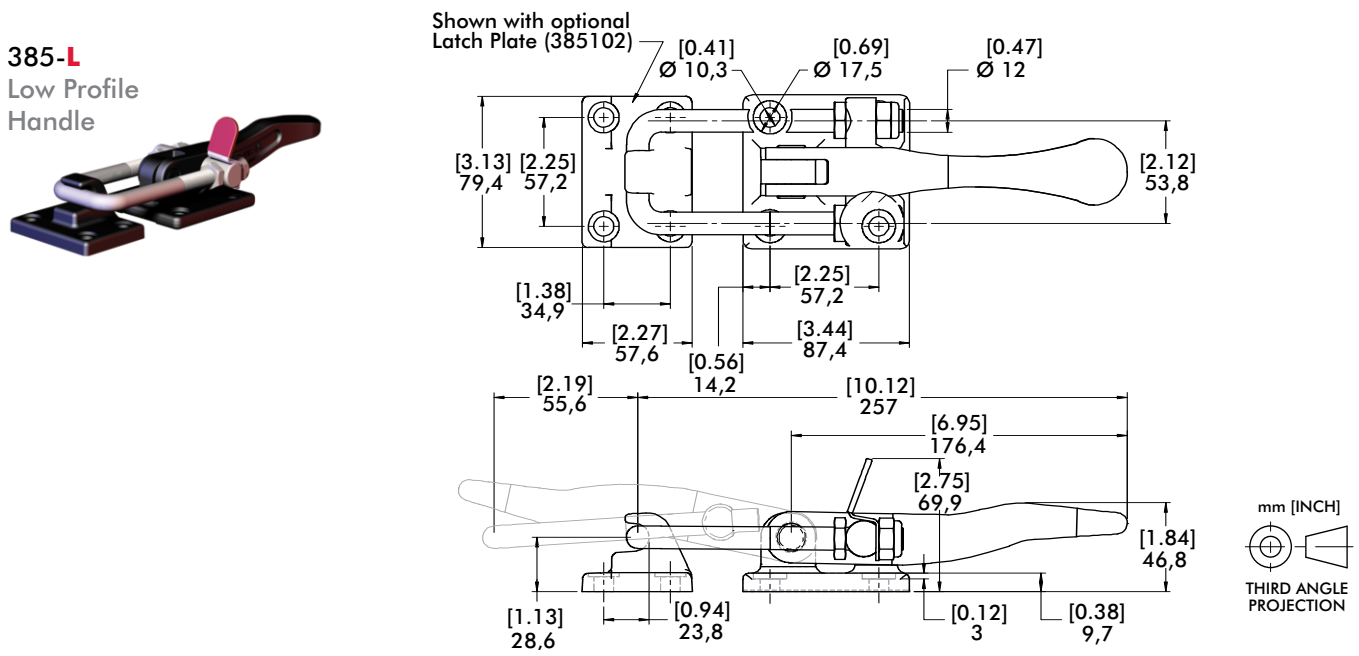
Model	Max. Holding Capacity	Weight	EF:AF	Drawing Movement	Latch Plate	Replacement Hook Assembly	Hook Adj. Range
385		[3.3lb] 1,50kg	44:1	55,6 [2.19]	385102 (Optional)	385104	36.1 [1.42]
385-R	[7500 lbf] 33300 N	[3.4lb] 1,54kg					
385-L		[3.3lb] 1,50kg					
385-V2A ⓘ	[6000 lbf] 26700 N				Supplied	ⓘ 385915	45 [1.77]

ⓘ This item is available upon request EF = Exerting Force, AF = Applied Force

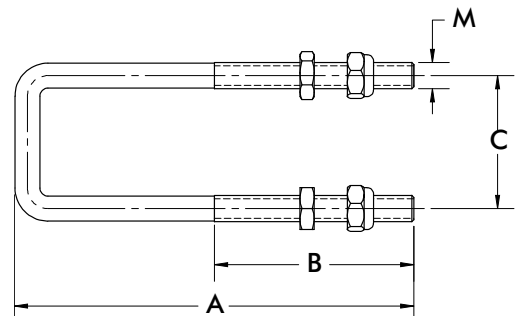
Series 385, 385-R Standard Clamp Dimensions



Series 385-L Standard Clamp Dimensions

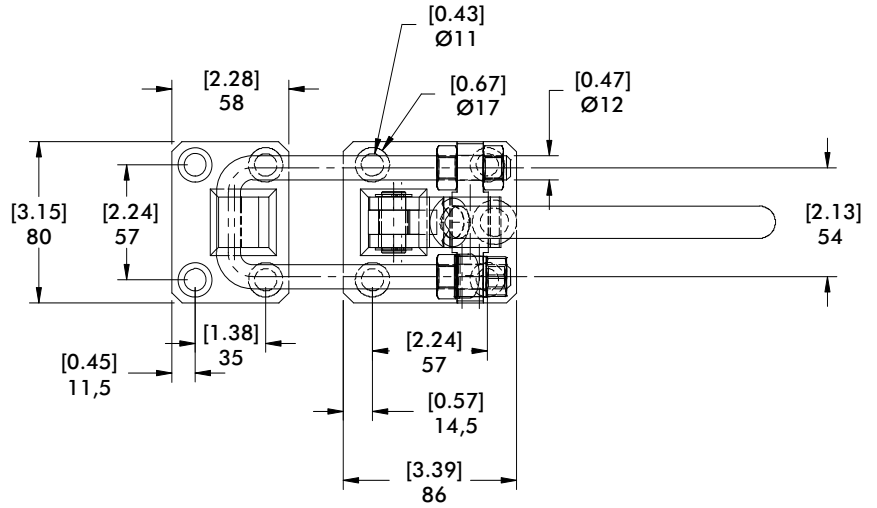
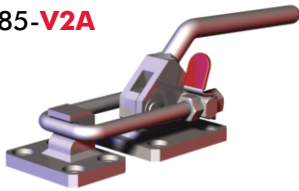


Replacement Hook Assembly	A	B	C	M
385915				
385104	133 [5.24]	70 [2.75]	53,8 [2.12]	M12



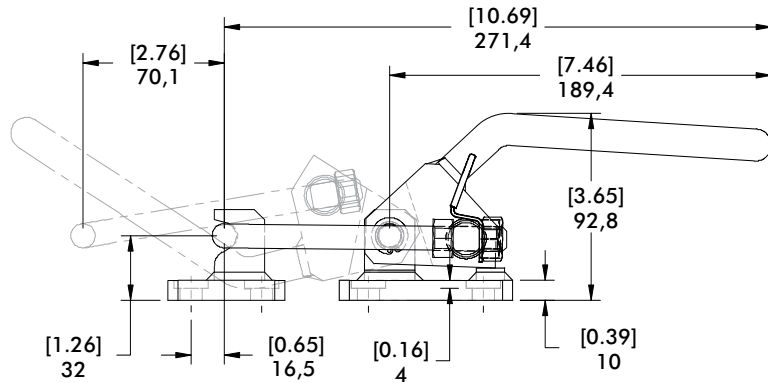
Series **385-V2A** Standard Clamp Dimensions

385-V2A



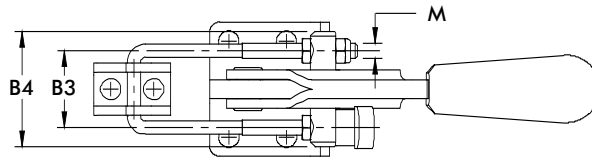
mm [INCH]

 THIRD ANGLE
 PROJECTION

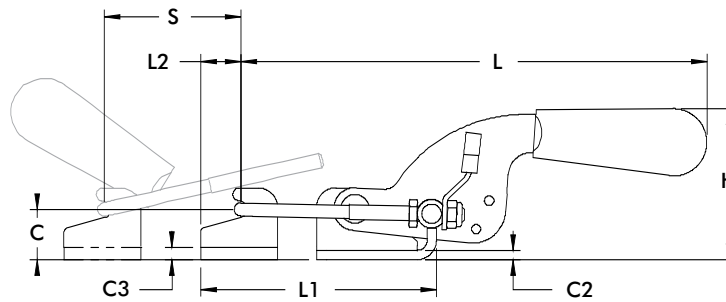


Series 323, 323-R, 331, 341 Standard Clamp Dimensions
323/331/341/-SS/-R/-RSS

323
323-SS



323-R
323-RSS
with DE-STA-CO®
Toggle Lock
Plus



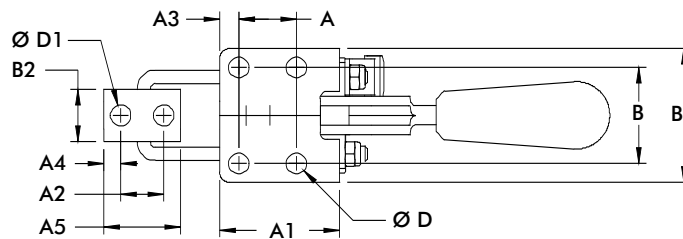
331
331-SS



341
341-SS



mm [INCH]
THIRD ANGLE
PROJECTION

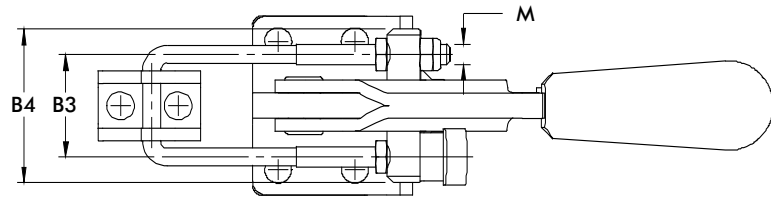


Model	A	A1	A2	A3	A4	A5	B	B1	B2	B3	B4	C	C2
323													
323-SS	[0.63]	[1.02]	[0.39]	[0.20]	[0.24]	[0.79]	[0.75]	[1.10]	[0.52]	[0.75]	[1.10]	[0.47]	[0.08]
323-R	16	26	10	5	6	20	19	28	13,2	19,1	28	12	2
323-RSS													
331													
331-SS	[0.75]	[1.56]	[0.56]	[0.25]	[0.22]	[1.00]	[1.25]	[1.74]	[0.68]	[1.00]	[1.50]	[0.66]	[0.12]
	19,1	39,7	14,3	6,4	5,6	25,4	31,8	44,3	17,3	25,4	38,1	16,7	3,1
341													
341-SS	[1.63]	[2.38]	[0.75]	[0.38]	[0.38]	[1.50]	[1.50]	[2.12]	[1.19]	[1.75]	[2.38]	[0.94]	[0.16]
	41.5	60.5	19.1	9.7	9.5	38.1	38.1	53.8	30.1	44.5	60.5	23.8	4

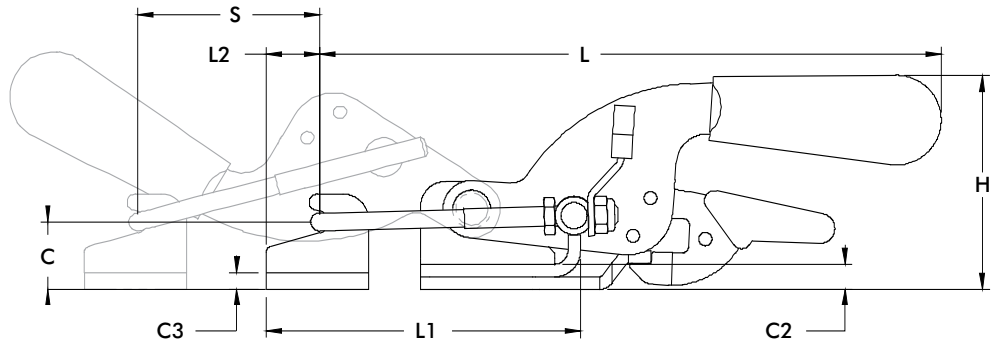
Model	C3	ØD	ØD2	H	L	L1 MAX	L2	M	S
323									
323-SS	[0.08]	[0.17]	[0.17]	[1.19]	[3.88]	[2.23]	[0.37]	M4	[1.18]
323-R	2	4,2	4,2	30,3	98,6	56,6	9,3		30
323-RSS									
331									
331-SS	[0.12]	[0.27]	[0.27]	[1.97]	[6.07]	[3.07]	[0.52]	M5	[1.75]
	3,1	6,7	6,9	50	154,2	78	13,3		45,5
341									
341-SS	[0.16]	[0.33]	[0.33]	[2.89]	[8.20]	[4.59]	[0.75]	M8	[2.50]
	4	8,5	8,5	73,4	208,3	116,6	19,1		63,5

Series **331-R**, **341-R** Standard Clamp Dimensions
-R/-RSS

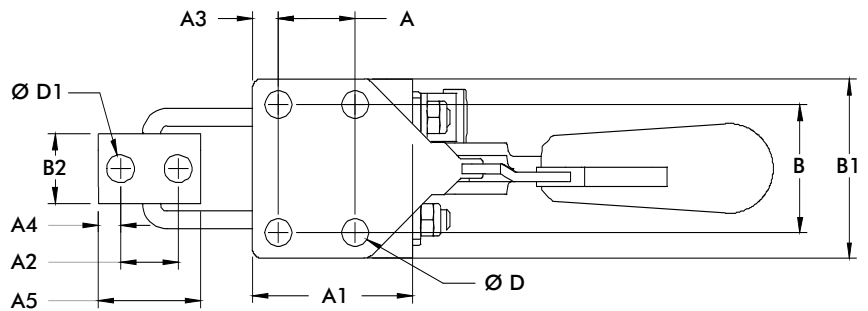
331-R
331-RSS
with
DE-STA-CO®
Toggle Lock
Plus



341-R
341-RSS
with DE-STA-CO®
Toggle Lock
Plus



mm [INCH]
THIRD ANGLE
PROJECTION

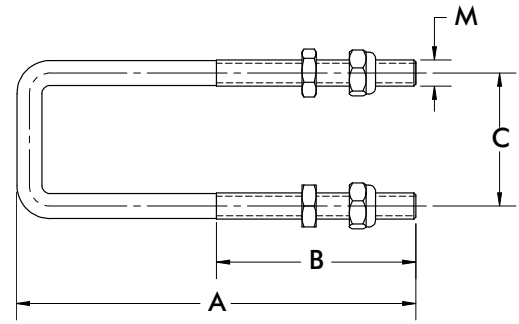


Model	A	A1	A2	A3	A4	A5	B	B1	B2	B3	B4	C	C2
331-R	[0.75]	[1.56]	[0.56]	[0.25]	[0.22]	[1.00]	[1.25]	[1.74]	[0.68]	[1.00]	[1.50]	[0.66]	[0.12]
331-RSS	19,1	39,7	14,3	6,4	5,6	25,4	31,8	44,3	17,3	25,4	38,1	16,7	3,1
341-R	[1.63]	[2.38]	[0.75]	[0.38]	[0.38]	[1.50]	[1.50]	[2.12]	[1.19]	[1.75]	[2.38]	[0.94]	[0.16]
341-RSS	41,5	60,5	19,1	9,7	9,5	38,1	38,1	53,8	30,1	44,5	60,5	23,8	4

Model	C3	ØD	ØD2	H	L	L1 MAX	L2	M	S
331-R	[0.12]	[0.27]	[0.27]	[2.01]	[6.07]	[3.07]	[0.52]		[1.75]
331-RSS	3,1	6,7	6,9	53,1	154,2	78	13,3	M5	45,5
341-R	[0.16]	[0.33]	[0.33]	[2.89]	[8.20]	[5.24]	[0.77]		[2.50]
341-RSS	4	8,5	8,5	73,4	208,3	133,2	19,4	M8	63.5

Series **323, 331, 341** Replacement Hook Assembly Standard Dimensions

Replacement Hook Assembly	A	B	C	M
323215	53,8 [2.12]	23,8 [0.94]	19,1 [0.75]	M4
323915				
331215	76,2 [3.00]	38,1 [1.50]	25,4 [1.00]	M5
331915				
341215	109,5 [4.31]	50 [1.97]	44,5 [1.75]	M8
341915				



Hook assemblies are supplied with (2) jam nuts and (2) locknuts.

Series 323, 331, 341 Product Overview

Features:

- U-hook style latch clamps are supplied with threaded U-hooks for easy adjustment
- Supplied with latch plate and patented thumb control lever for one handed operation
- DE-STA-CO® Toggle Lock Plus versions available
- Stainless steel version available as **-SS** models

Applications:

- Molding
- Closures for doors, lids, covers
- Assembly

Also Available:

- Clamps with longer hooks available Upon Request that are 25mm, 50mm, 100mm longer than standard length
- To order clamp with longer hook, add **-M-25**, **-M-50**, or **-M-100** to the end of the model. Example: 323-**M-50**

Covered under one year or more U.S./International Patents

323
323-SS



323-R
323-RSS
with DE-STA-CO®
Toggle Lock
Plus



331
331-SS



331-R
331-RSS
with
DE-STA-CO®
Toggle Lock
Plus



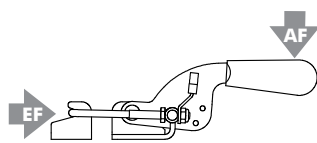
341
341-SS



341-R
341-RSS
with DE-STA-CO®
Toggle Lock
Plus



Series 323, 331, 341 Technical Information, Holding Capacities

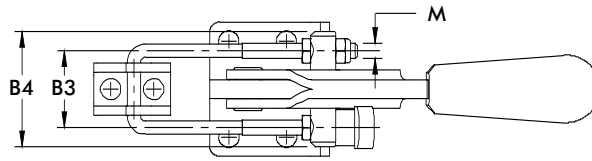


Model	Max. Holding Capacity	Weight	EF:AF	Drawing Movement	Latch Plate (Supplied)	Replacement Hook Assembly	Hook Adj. Range
323				30	323104-M	323215	
323-SS	1600 N [360 lbf]	0,07kg [0.15lb]	27:1	[1.18]	323104-MSS	323915	10.7
323-R				29,7	323104-M	323215	[0.42]
323-RSS				[1.17]	323104-MSS	323915	
331					331005	331215	
331-SS	3200 N [720 lbf]	0,25kg [0.56lb]	32:1	44,5	331905	331915	22.1
331-R				[1.75]	331005	331215	[0.87]
331-RSS					331905	331915	
341					341005	341215	
341-SS	8900 N [2000 lbf]	0,65kg [1.43lb]	29:1	63,5	341905	341915	24.6
341-R				[2.50]	341005	341215	[0.97]
341-RSS					341905	341915	

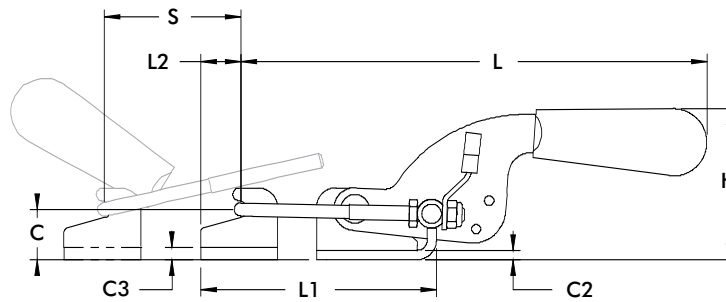
EF = Exerting Force, AF = Applied Force

Series **323, 323-R, 331, 341** Standard Clamp Dimensions
 323/331/341/-SS/-R/-RSS

323
323-SS



323-R
323-RSS
 with DE-STA-CO®
 Toggle Lock
 Plus



331
331-SS

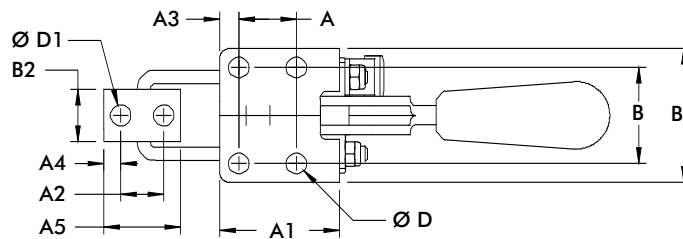


341
341-SS



mm [INCH]

 THIRD ANGLE
 PROJECTION

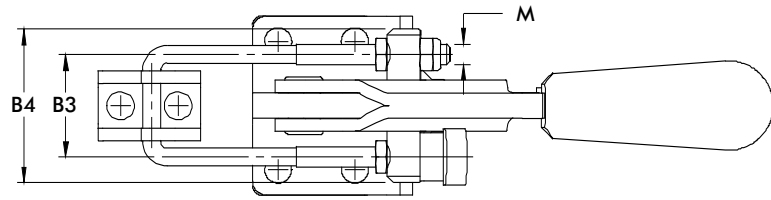


Model	A	A1	A2	A3	A4	A5	B	B1	B2	B3	B4	C	C2
323													
323-SS	[0.63]	[1.02]	[0.39]	[0.20]	[0.24]	[0.79]	[0.75]	[1.10]	[0.52]	[0.75]	[1.10]	[0.47]	[0.08]
323-R	16	26	10	5	6	20	19	28	13,2	19,1	28	12	2
323-RSS													
331	[0.75]	[1.56]	[0.56]	[0.25]	[0.22]	[1.00]	[1.25]	[1.74]	[0.68]	[1.00]	[1.50]	[0.66]	[0.12]
331-SS	19,1	39,7	14,3	6,4	5,6	25,4	31,8	44,3	17,3	25,4	38,1	16,7	3,1
341	[1.63]	[2.38]	[0.75]	[0.38]	[0.38]	[1.50]	[1.50]	[2.12]	[1.19]	[1.75]	[2.38]	[0.94]	[0.16]
341-SS	41.5	60.5	19.1	9.7	9.5	38.1	38.1	53.8	30.1	44.5	60.5	23.8	4

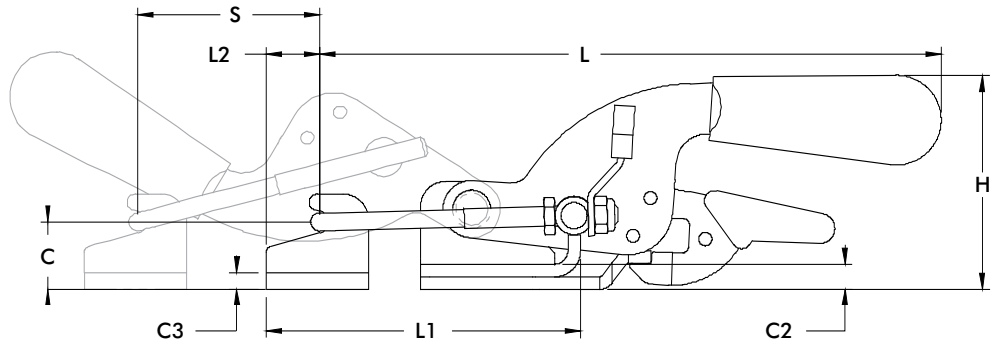
Model	C3	ØD	ØD2	H	L	L1 MAX	L2	M	S
323									
323-SS	[0.08]	[0.17]	[0.17]	[1.19]	[3.88]	[2.23]	[0.37]	M4	[1.18]
323-R	2	4,2	4,2	30,3	98,6	56,6	9,3		30
323-RSS									
331	[0.12]	[0.27]	[0.27]	[1.97]	[6.07]	[3.07]	[0.52]	M5	[1.75]
331-SS	3,1	6,7	6,9	50	154,2	78	13,3		45,5
341	[0.16]	[0.33]	[0.33]	[2.89]	[8.20]	[4.59]	[0.75]	M8	[2.50]
341-SS	4	8,5	8,5	73,4	208,3	116,6	19,1		63,5

Series **331-R**, **341-R** Standard Clamp Dimensions
-R/-RSS

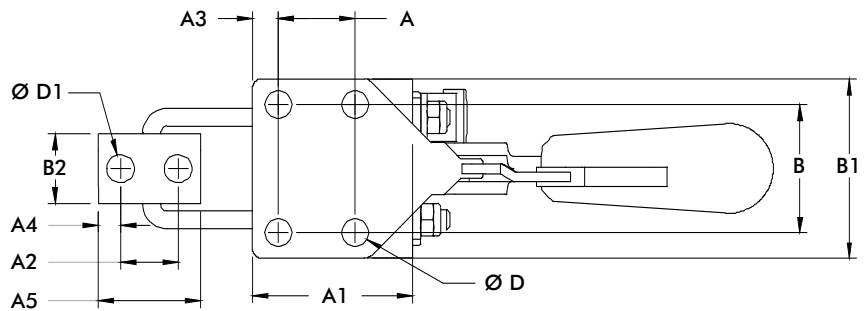
331-R
331-RSS
with
DE-STA-CO®
Toggle Lock
Plus



341-R
341-RSS
with DE-STA-CO®
Toggle Lock
Plus



mm [INCH]
THIRD ANGLE
PROJECTION

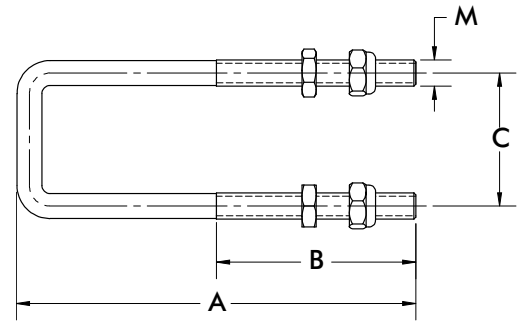


Model	A	A1	A2	A3	A4	A5	B	B1	B2	B3	B4	C	C2
331-R	[0.75]	[1.56]	[0.56]	[0.25]	[0.22]	[1.00]	[1.25]	[1.74]	[0.68]	[1.00]	[1.50]	[0.66]	[0.12]
331-RSS	19,1	39,7	14,3	6,4	5,6	25,4	31,8	44,3	17,3	25,4	38,1	16,7	3,1
341-R	[1.63]	[2.38]	[0.75]	[0.38]	[0.38]	[1.50]	[1.50]	[2.12]	[1.19]	[1.75]	[2.38]	[0.94]	[0.16]
341-RSS	41,5	60,5	19,1	9,7	9,5	38,1	38,1	53,8	30,1	44,5	60,5	23,8	4

Model	C3	ØD	ØD2	H	L	L1 MAX	L2	M	S
331-R	[0.12]	[0.27]	[0.27]	[2.01]	[6.07]	[3.07]	[0.52]		[1.75]
331-RSS	3,1	6,7	6,9	53,1	154,2	78	13,3	M5	45,5
341-R	[0.16]	[0.33]	[0.33]	[2.89]	[8.20]	[5.24]	[0.77]		[2.50]
341-RSS	4	8,5	8,5	73,4	208,3	133,2	19,4	M8	63.5

Series **323, 331, 341** Replacement Hook Assembly Standard Dimensions

Replacement Hook Assembly	A	B	C	M
323215	53,8 [2.12]	23,8 [0.94]	19,1 [0.75]	M4
323915	53,8 [2.12]	23,8 [0.94]	19,1 [0.75]	M4
331215	76,2 [3.00]	38,1 [1.50]	25,4 [1.00]	M5
331915	76,2 [3.00]	38,1 [1.50]	25,4 [1.00]	M5
341215	109,5 [4.31]	50 [1.97]	44,5 [1.75]	M8
341915	109,5 [4.31]	50 [1.97]	44,5 [1.75]	M8



Hook assemblies are supplied with (2) jam nuts and (2) locknuts.



Series 375 Product Overview

Features:

- Heavy duty U-hook style latch clamps are supplied with threaded U-hooks for easy adjustment
- Supplied patented thumb control lever for one handed operation
- DE-STA-CO® Toggle Lock Plus versions available

Applications:

- Molding
- Closures for doors, lids, covers
- Assembly

Also Available:

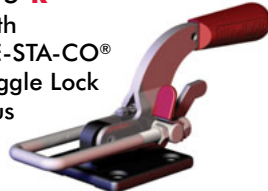
- Clamps with longer hooks available Upon Request that are 25mm, 50mm, 100mm longer than standard length
- To order clamp with longer hook, add **-M-25**, **-M-50**, or **-M-100** to the end of the model. Example: 375-**M-50**

Covered under one year or more U.S./International Patents

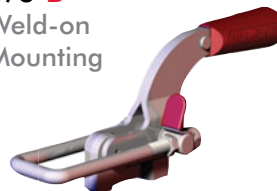
375



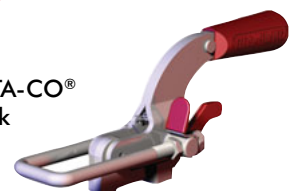
375-R
with
DE-STA-CO®
Toggle Lock
Plus



375-B
Weld-on
Mounting



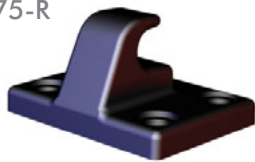
375-BR ⓘ
Weld-on
Mounting
with DE-STA-CO®
Toggle Lock
Plus



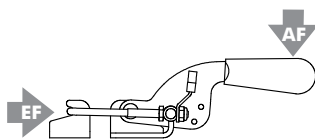
375509
Cleat



385102
Optional
Latch Plate
for 375, 375-R



Series 375 Technical Information, Holding Capacities



Model	Max. Holding Capacity	Weight	EF:AF	Drawing Movement	Latch Plate	Replacement Hook Assembly	Hook Adj. Range
375	[4000 lbf] 17800 N	[2.94lb] 1,33kg	44:1	88,9 [3.50]	375509 (Optional)	375215	22.1 [0.87]
375-R		[3.0lb] 1,36kg					
375-B		[2.56lb] 1,16kg					
375-BR ⓘ		[2.62lb] 1,19kg					

ⓘ This item is available upon request **EF** = Exerting Force, **AF** = Applied Force

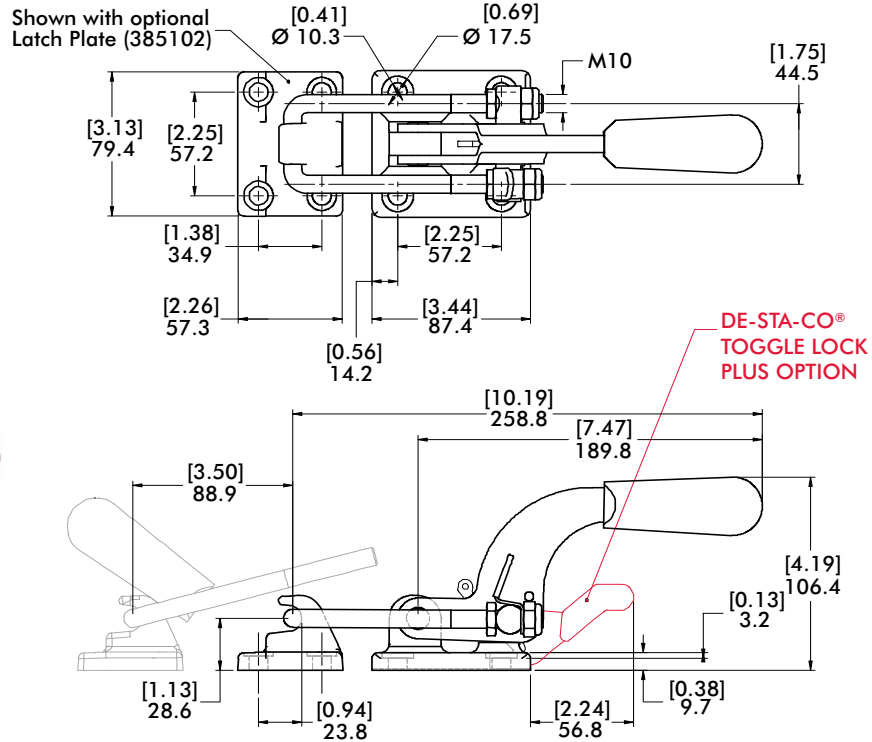
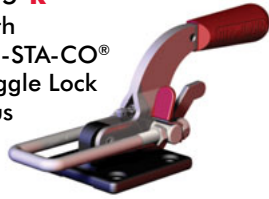
Series **375**, **375-R** Standard Clamp Dimensions

375



375-R

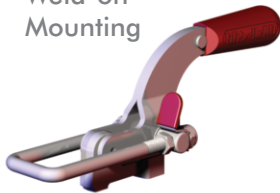
with
DE-STA-CO®
Toggle Lock
Plus



Series **375-B**, **375-BR** Standard Clamp Dimensions

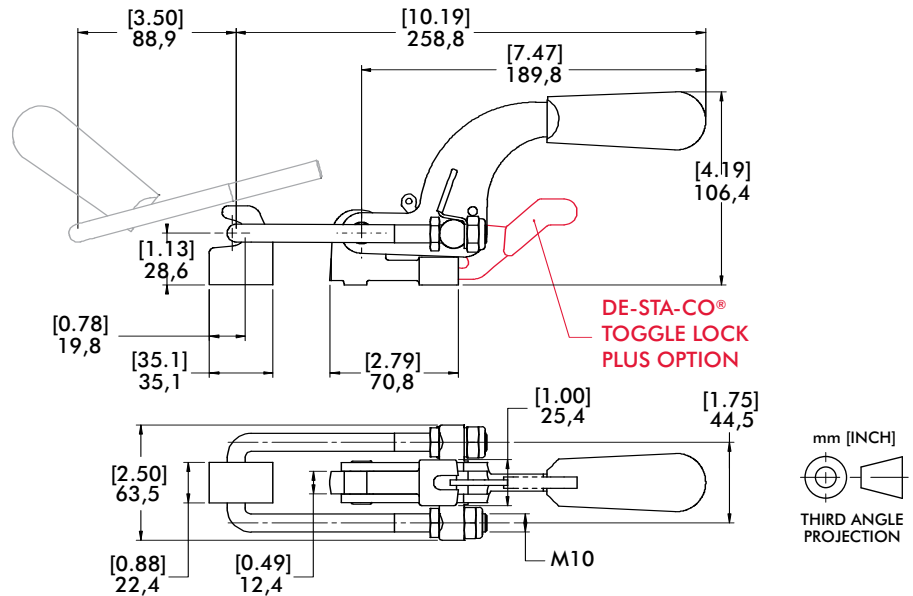
375-B

Weld-on
Mounting

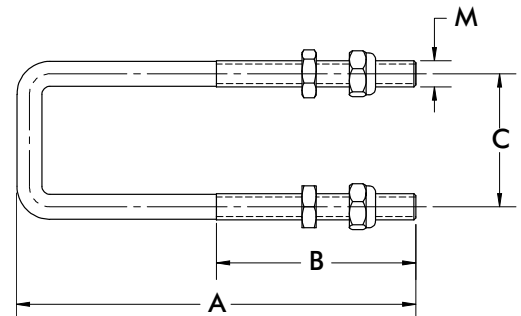


375-BRⓇ

Weld-on
Mounting
with DE-STA-CO®
Toggle Lock
Plus



Replacement Hook Assembly	A	B	C	M
375204	133 [5.24]	50,8 [2.00]	41,4 [1.63]	M10



Series 385 Product Overview

Features:

- Heavy duty U-hook style latch clamps are supplied with threaded U-hooks for easy adjustment
- Supplied with patented thumb control lever for one handed operation
- DE-STA-CO® Toggle Lock Plus versions available

Applications:

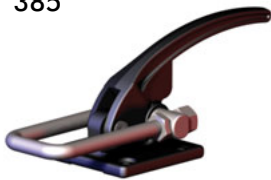
- Molding
- Closures for doors, lids, covers
- Assembly

Also Available:

- Clamps with longer hooks available Upon Request that are 25mm, 50mm, 100mm longer than standard length
- To order clamp with longer hook, add **-M-25**, **-M-50**, or **-M-100** to the end of the model. Example: 385-**M-50**

Covered under one year or more U.S./International Patents

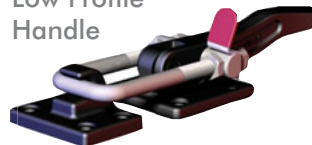
385



385-**R** with DE-STA-CO® Toggle Lock Plus



385-**L** Low Profile Handle



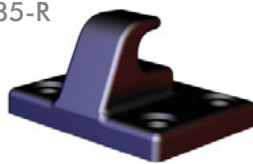
385-**V2A** ⓘ Stainless Steel



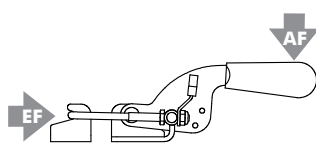
375509 Optional Cleat



385102 Optional Latch Plate for 385, 385-R and 385-L



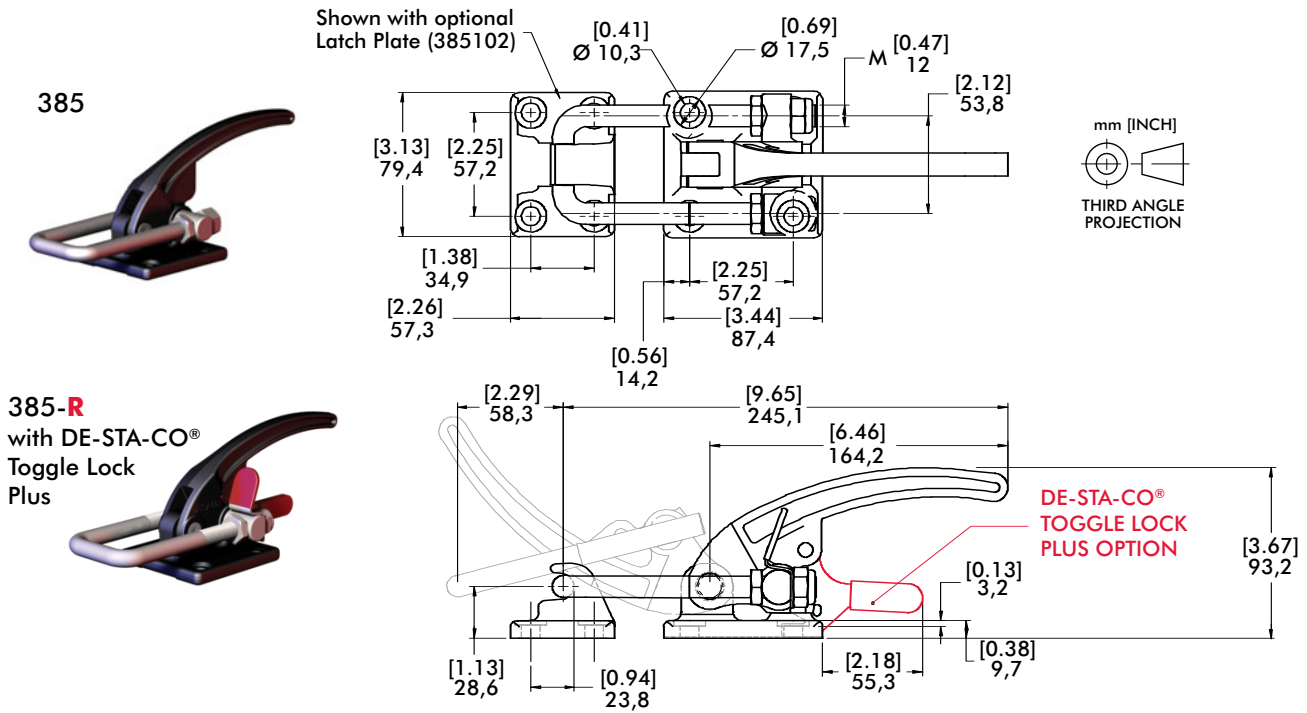
Series 385 Technical Information, Holding Capacities



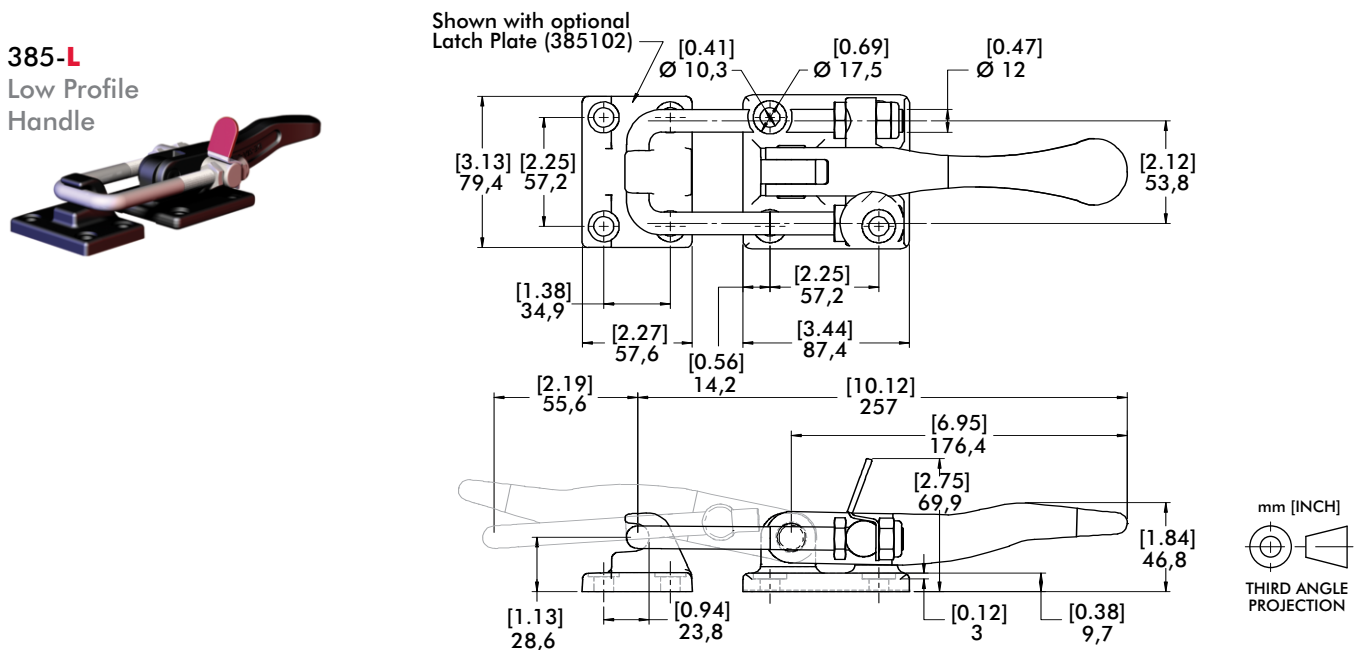
Model	Max. Holding Capacity	Weight	EF:AF	Drawing Movement	Latch Plate	Replacement Hook Assembly	Hook Adj. Range
385		[3.3lb] 1,50kg	44:1	55,6 [2.19]	385102 (Optional) 375509 (Optional)	385104	36.1 [1.42]
385-R	[7500 lbf] 33300 N	[3.4lb] 1,54kg					
385-L		[3.3lb] 1,50kg					
385-V2A ⓘ	[6000 lbf] 26700 N				Supplied	ⓘ 385915	45 [1.77]

ⓘ This item is available upon request EF = Exerting Force, AF = Applied Force

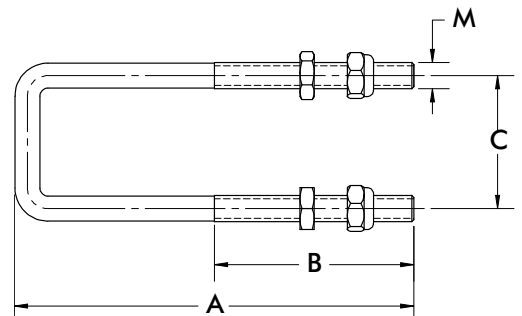
Series 385, 385-R Standard Clamp Dimensions



Series 385-L Standard Clamp Dimensions

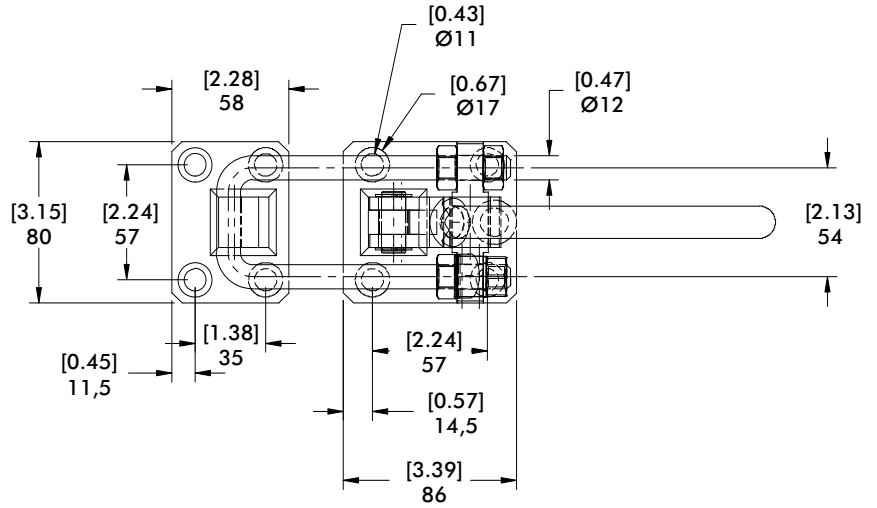
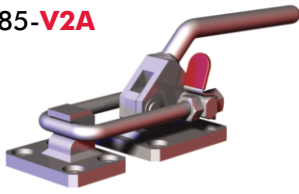


Replacement Hook Assembly	A	B	C	M
385915				
385104	133 [5.24]	70 [2.75]	53,8 [2.12]	M12



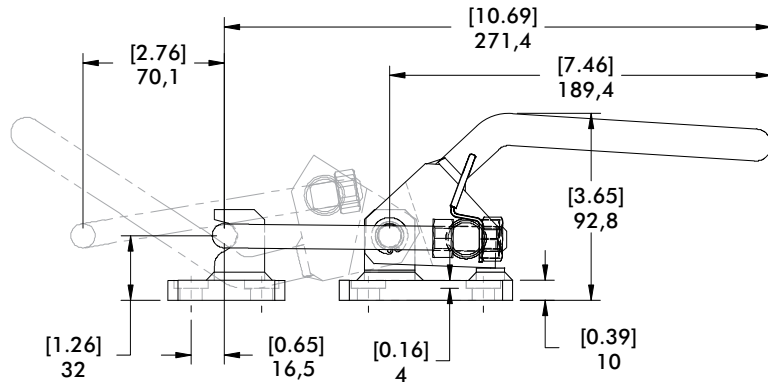
Series 385-V2A Standard Clamp Dimensions

385-V2A



mm [INCH]

 THIRD ANGLE
 PROJECTION





Series 330, 351, 371, 381 Product Overview

Features:

- J-hook style latch clamps are supplied with threaded J-hooks for easy adjustment
- Supplied with patented thumb control lever for one handed operation
- DE-STA-CO® Toggle Lock Plus versions available
- Stainless steel version available as **-SS** models

Applications:

- Molding
- Closures for doors, lids, covers
- Assembly

Also Available:

- Clamps with longer hooks available Upon Request that are 25mm, 50mm, 100mm longer than standard length
- To order clamp with longer hook, add **-M-25**, **-M-50**, or **-M-100** to the end of the model. Example: 330-**M-50**

Covered under one year or more U.S./International Patents

330
330-SS



351
351-SS



351-B
351-BSS
Narrow Base



351-R
with
DE-STA-CO®
Toggle Lock
Plus



371
371-SS



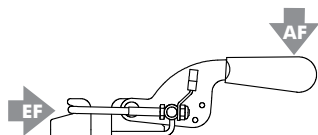
371-R
with DE-STA-CO®
Toggle Lock
Plus



381
381-SS



Series 330, 351, 371, 381 Technical Information, Holding Capacities



Model	Max. Holding Capacity	Weight	EF:AF	Drawing Movement	Replacement Hook Assembly	Hook Adj. Range
330	900 N [200 lbf]	0,11kg [0.24lb]	17:1	59,7 [2.35]	330215	7.4 [0.29]
330-SS					330915	
351	1670 N [375 lbf]	0,28kg [0.61lb]	21:1	101,6 [4.00]	351215	12.4 [0.49]
351-SS					351915	
351-B	1670 N [375 lbf]	0,36kg [0.8lb]	36:1	136,7 [5.38]	351215	23.9 [0.94]
351-BSS					351915	
351-R					351215	
371	3340 N [750 lbf]	0,69kg [1.53lb]	37:1	155,7 [6.13]	371215	29.7 [1.17]
371-SS					371915	
371-R		0,85kg [1.88lb]			371215	
381	4450 N [1000 lbf]	1,16kg [2.56lb]			381215	
381-SS					381915	

EF = Exerting Force, AF = Applied Force

Series 330, 351, 371, 381 Standard Clamp Dimensions
330/351/371/381/-SS/-B/-BSS

330
330-SS



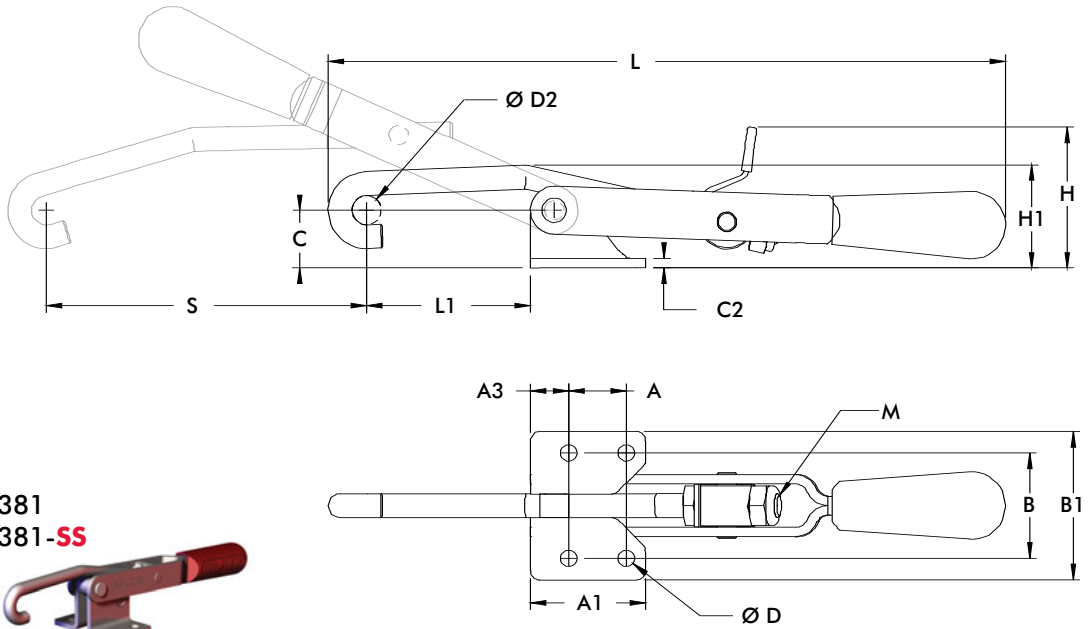
351
351-SS



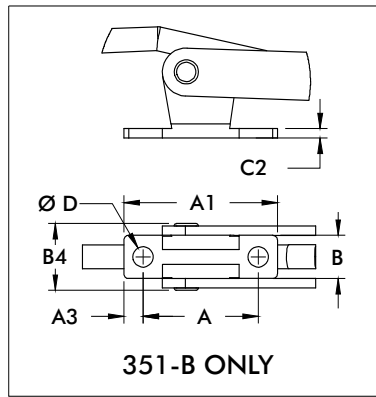
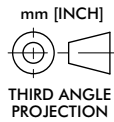
371
371-SS



381
381-SS



351-B
351-BSS
Narrow Base



Model	A	A1	A3	B
330	[0.50] 12,7	[1.00] 25,4	[0.25] 6,4	[1.22] 30,9
330-SS				
351	[0.75] 19,1	[1.50] 38,1	[0.50] 12,7	[1.37] 34,8
351-SS				
351-B	[1.50] 38,1	[2.00] 38,1	[0.25] 6,4	[0.56] 14,3
371	[1.25] 31,8	[1.94] 49,2	[0.34] 8,7	[1.94] 49,2
371-SS				
381	[1.13] 28,6	[2.13] 54,1	[0.50] 12,7	[2.37] 60,3
381-SS				

Model	B1	B4	C	C2	ØD	ØD2	H	H1	L	L1 Max	M	S
330	[1.69] 42,9	-	[0.56] 14,2	[0.12] 3,1	[0.22] 5,6	[0.32] 8,1	[1.43] 36,2	[0.89] 22,6	[6.01] 152,7	[1.70] 43,3	M5	[2.35] 59,7
330-SS												
351	[1.93] 49,1	-	[0.75] 19,1	[0.12] 3,1	[0.22] 5,5	[0.38] 9,7	[1.83] 46,6	[1.34] 34	[8.82] 224	[2.13] 54,2	M8	[4.00] 101,6
351-SS												
351-B	-	[0.87] 22,1	[0.86] 21,8		[0.27] 6,7		[1.94] 49,3	[1.45] 36,8		[1.63] 41,4		
371	[2.63] 66,7	-	[1.42] 36,1	[0.16] 4	[0.34] 8,7	[0.50] 12,7	[2.58] 65,6	[2.23] 56,5	[11.89] 302	[2.81] 71,5	M10	[5.38] 136,7
371-SS												
381	[3.38] 85,9	-	[1.81] 46	[0.19] 4,7	[0.41] 10,3	[0.62] 15,7	[2.90] 73,6	[2.71] 68,8	[13.45] 341,7	[3.13] 79,5	M12	[6.13] 155,7
381-SS												



Series 324, 334, 344, 374 Product Overview

Features:

- U-hook style latch clamps supplied with threaded U-hooks for easy adjustment
- Supplied with latch plate and patented thumb control lever for one handed operation
- DE-STA-CO® Toggle Lock Plus versions available
- Stainless steel available as **-SS** models.

Applications:

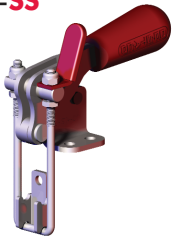
- Molding
- Closures for doors, lids, covers
- Assembly

Also Available:

- Clamps with longer hooks available Upon Request that are 25mm, 50mm, 100mm longer than standard length
- To order clamp with longer hook, add **-M-25**, **-M-50**, or **-M-100** to the end of the model. Example: 324-**M-50**

Covered under one year or more U.S./International Patents

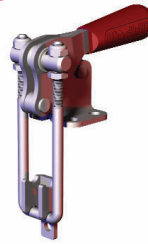
324
324-SS



324-R
with DE-STA-CO®
Toggle Lock
Plus



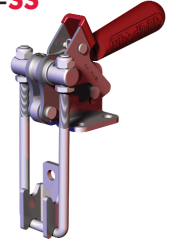
334
334-SS



334-R
with DE-STA-CO®
Toggle Lock
Plus



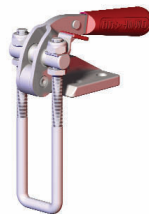
344
344-SS



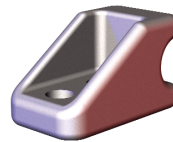
344-R
with DE-STA-CO®
Toggle Lock
Plus



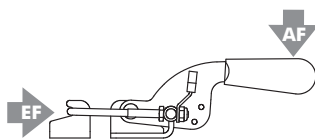
374



374107
Optional
Latch Plate
for 374



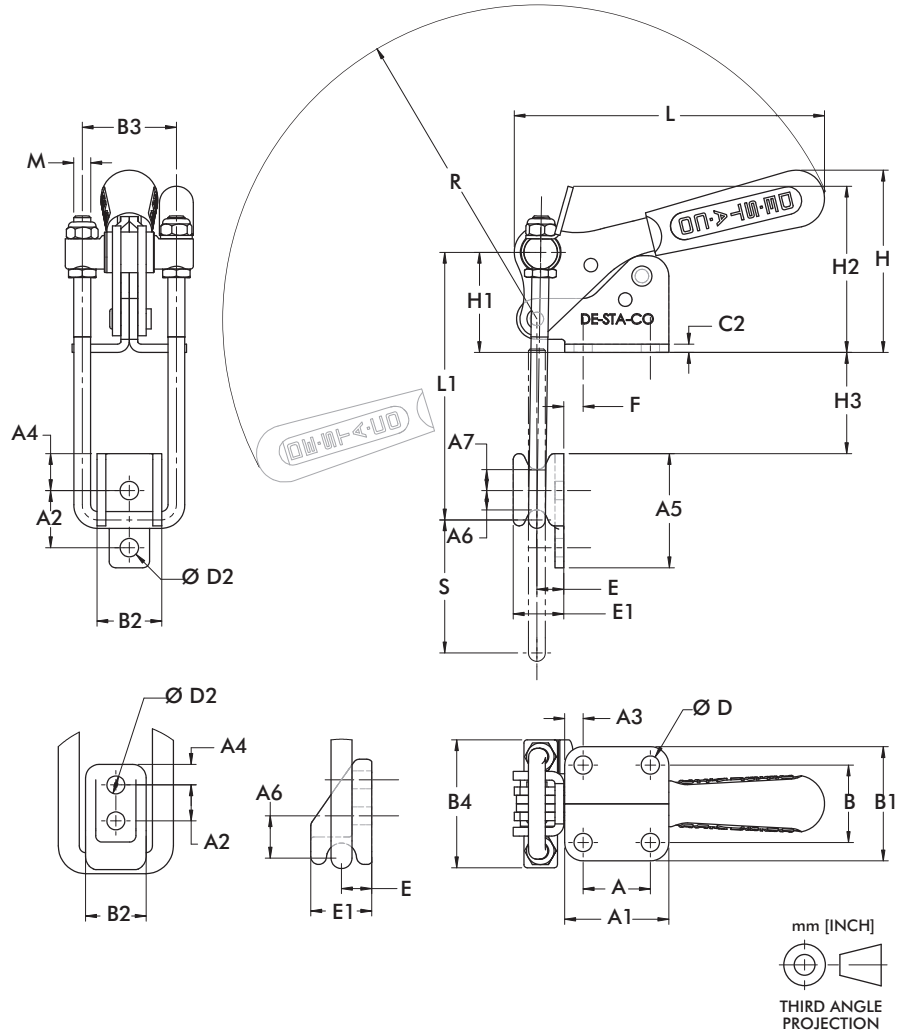
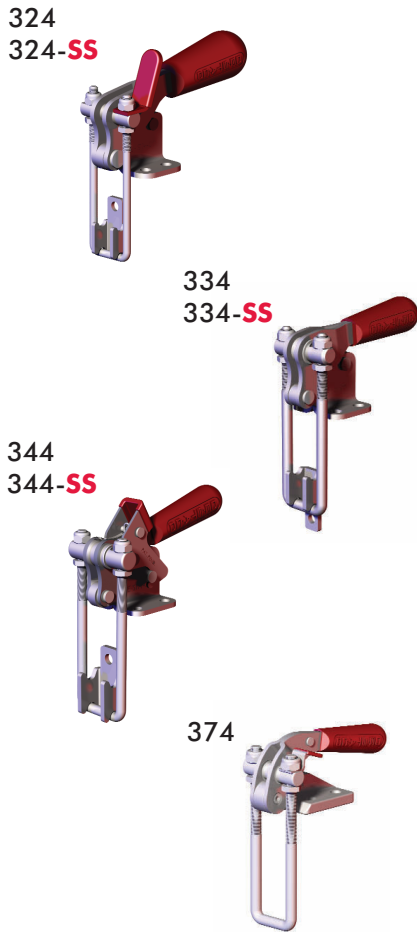
Series 324, 334, 344, 374 Technical Information, Holding Capacities



Model	Max. Holding Capacity	Weight	EF:AF	(S) Drawing Movement	Latch Plate (Supplied)	Replacement Hook Assembly
324					323101	324215
324-SS	[500 lbf] 2200 N	[0.25lb] 0,11kg	31:1	38,7 [1.53]	323901	324915
324-R					323101	324215
334					334101	334215
334-SS	[1000 lbf] 4450 N	[0.60lb] 0,27kg	45:1	51,7 [2.04]	334901	334915
334-R					334101	334215
344					344101	344215
344-SS	[2000 lbf] 8900 N	[1.50lb] 0,68kg	36:1	62,4 [2.46]	344901	344915
344-R					344101	344215
374	[4000 lbf] 17800 N	[2.10lb] 0,95kg			*374107 (Optional)	374215

EF = Exerting Force, AF = Applied Force

Series **324, 334, 344, 374** Standard Clamp Dimensions
324/334/374/-SS



Model	A	A1	A2	A3	A4	A5	A6	A7	B	B1	B2	B3	B4	C2
324	[0.50]	[1.00]	[0.56]	[0.25]	[0.28]	[1.00]	[0.19]	[0.19]	[0.88]	[1.38]	[0.53]	[0.81]	[1.19]	[0.09]
324-SS	2,7	25,4	14,2	6,4	7,1	25,4	4,8	4,8	22,4	35,1	13,5	20,7	30,2	2,4
334	[0.75]	[1.31]	[0.81]	[0.28]	[0.41]	[1.50]	[0.28]	[0.28]	[1.00]	[1.56]	[0.68]	[1.13]	[1.63]	[0.12]
334-SS	19,1	33,3	20,6	7,1	10,4	38,1	7,1	7,1	25,4	39,6	17,4	28,7	41,4	3,1
344		[1.94]	[1.06]	[0.35]	[0.69]	[2.13]	[0.36]	[0.39]	[1.44]	[2.12]	[1.20]		[2.38]	[0.16]
344-SS	[1.25]	49,3	27	8,0	17,5	54	9,1	9,9	36,6	53,8	30,6		60,5	4
374	31,8	[2.43]	[0.67]	[0.68]	[0.38]	[1.96]	[0.70]	--	[1.50]	[2.50]	[1.13]	44,5	[2.36]	[0.37]
		61,7	17	17,3	9,7	49,7	17,9		38,1	63,5	28,6		60	9,4

Model	ØD	ØD2	F	H	H1	H2	H3	E	E1	L	L1 MAX	R	M	S
324	[0.20]	[0.17]	[2.25]	[1.91]	[1.10]	[1.97]	[0.92]	[0.19]	[0.38]	[3.49]	[2.56]	[3.49]	M4	[1.53]
324-SS	5,1	4,3	6,4	48,5	28	50,1	[23,4]	4,4	9,7	88,7	65,1	88,8		38,7
334	[0.28]	[0.22]	[0.28]	[2.37]	[1.55]	[2.68]	[1.34]	[0.35]	[0.63]	[4.10]	[3.70]	[4.12]	M6	[2.04]
334-SS	7,1	5,6	7,1	60,1	39,3	68	34	8,8	16	104,2	94	104,5		51,8
344	[0.34]	[0.34]	[0.35]	[3.39]	[1.86]	[7.09]	[1.73]	[0.50]	[0.94]	[5.77]	[5.00]	[5.84]	M8	[2.46]
344-SS	8,6	8,6	8,9	86,1	47,3	78,6	49,1	12,7	23,8	146,6	126,9	148,4		62,4
374	[0.41]	[0.33]	[0.68]	[2.38]	[1.36]	--	[2.40]	[0.56]	[1.13]	[6.60]	[6.04]	[6.04]	M10	[1,75]
	10,3	8,5	17,3	60,5	34,5		61	14,3	28,8	167,8	153,5	153,5		44,5

Series **324-R**, **334-R**, **344-R** Standard Clamp Dimensions
-R/-SS

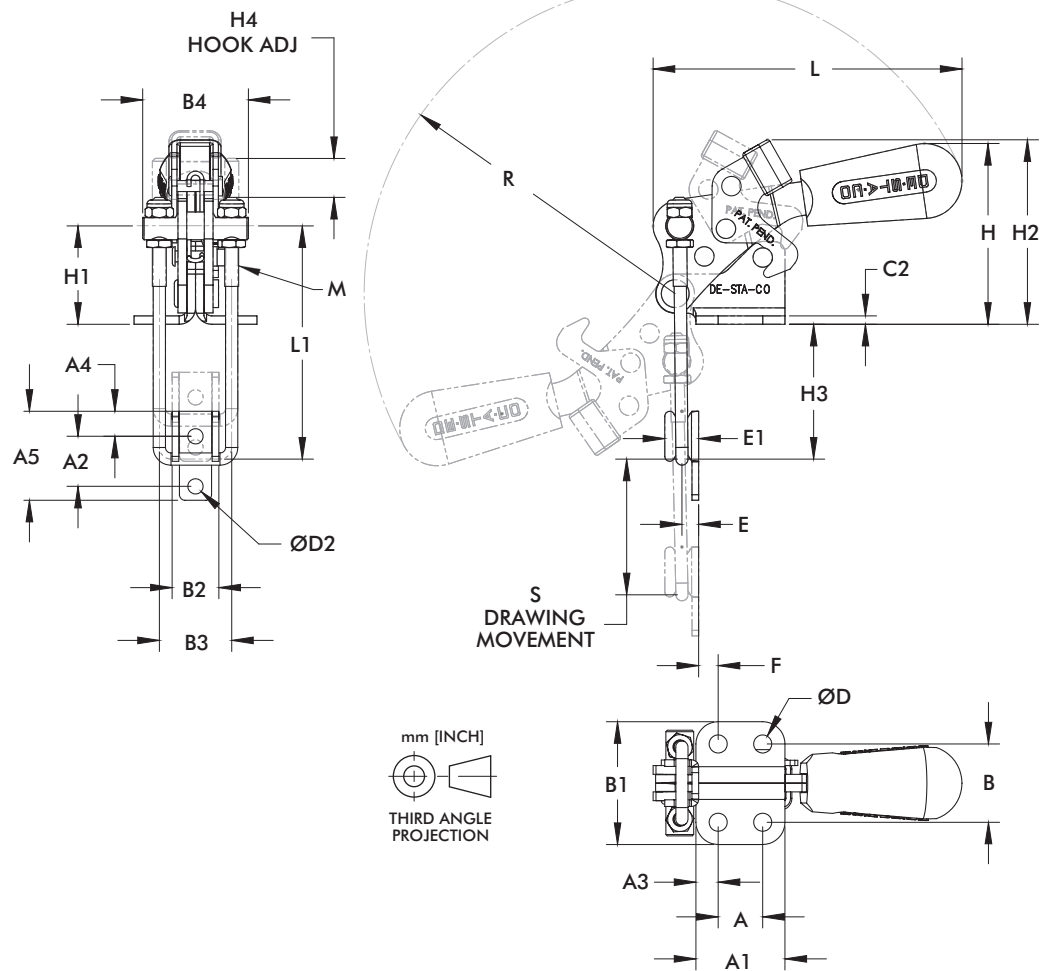
324-R
with DE-STA-CO®
Toggle Lock
Plus



334-R
with DE-STA-CO®
Toggle Lock
Plus



344-R
with DE-STA-CO®
Toggle Lock
Plus

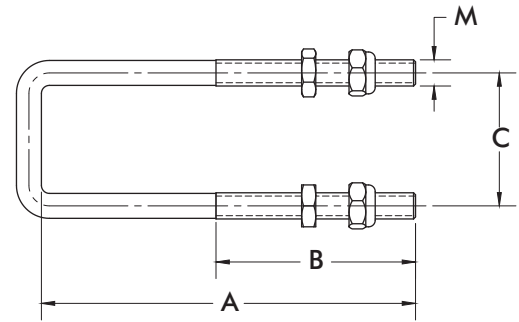


Model	B	B1	B2	B3	B4	C2	D	D2	E	E1	F	H	H1
324-R	[0.88] 22.4	[1.38] 35.1	[.52] 13.3	[0.81] 20.6	[0.44] 11.1	[0.09] 2.4	[0.20] 5.2	[0.17] 4.4	[0.20] 5.2	[0.17] 4.4	[0.22] 5.6	[2.03] 51.6	[1.11] 28.1
334-R	[1.00] 25.4	[1.56] 39.6	[0.68] 17.3	[1.13] 28.6	[1.63] 41.3	[0.12] 3.1	[0.28] 7.1	[0.22] 5.6	[0.35] 8.8	[0.63] 15.9	[0.18] 4.5	[2.37] 60.2	[1.55] 39.3
344-R	[1.00] 25.4	[1.56] 39.6	[0.68] 17.3	[1.13] 28.6	[1.63] 41.3	[0.12] 3.1	[0.28] 7.1	[0.22] 5.6	[0.35] 8.8	[0.63] 15.9	[0.18] 4.5	[2.37] 60.2	[1.55] 39.3

Model	H2	H3	H4	L	L1	M	S	R
324-R	[2.07] 52.7	[1.52] 38.5	[.44] 11.1	[3.47] 88.1	[2.62] 66.6	M4	[1.53] 38.7	[3.49] 88.8
334-R	[2.55] 64.7	[2.22] 56.3	[0.86] 21.8	[4.12] 104.6	[3.76] 95.6	M6	[2.04] 51.7	[4.10] 104.2
344-R	[3.39] 86.0	[3.17] 80.8	[1.17] 29.6	[5.77] 146.5	[5.04] 128.0	M8	[2.46] 62.4	[5.83] 148.1

Series **324, 334, 344, 374** Replacement Hook Assembly Standard Dimensions

Replacement Hook Assembly	A	B	C	M
324215	73 [2.87]	25,4 [1.00]	20,6 [0.81]	M4
324915				
334215	103,1 [4.06]	38,1 [1.50]	28,7 [1.13]	M6
344915				
344215	139,7 [5.50]	57,2 [2.25]	44,5 [1.75]	M8
344915				
374215	155,2 [6.12]	82,6 [3.25]		M10



Series 324, 334, 344, 374 Product Overview

Features:

- U-hook style latch clamps supplied with threaded U-hooks for easy adjustment
- Supplied with latch plate and patented thumb control lever for one handed operation
- DE-STA-CO® Toggle Lock Plus versions available
- Stainless steel available as **-SS** models.

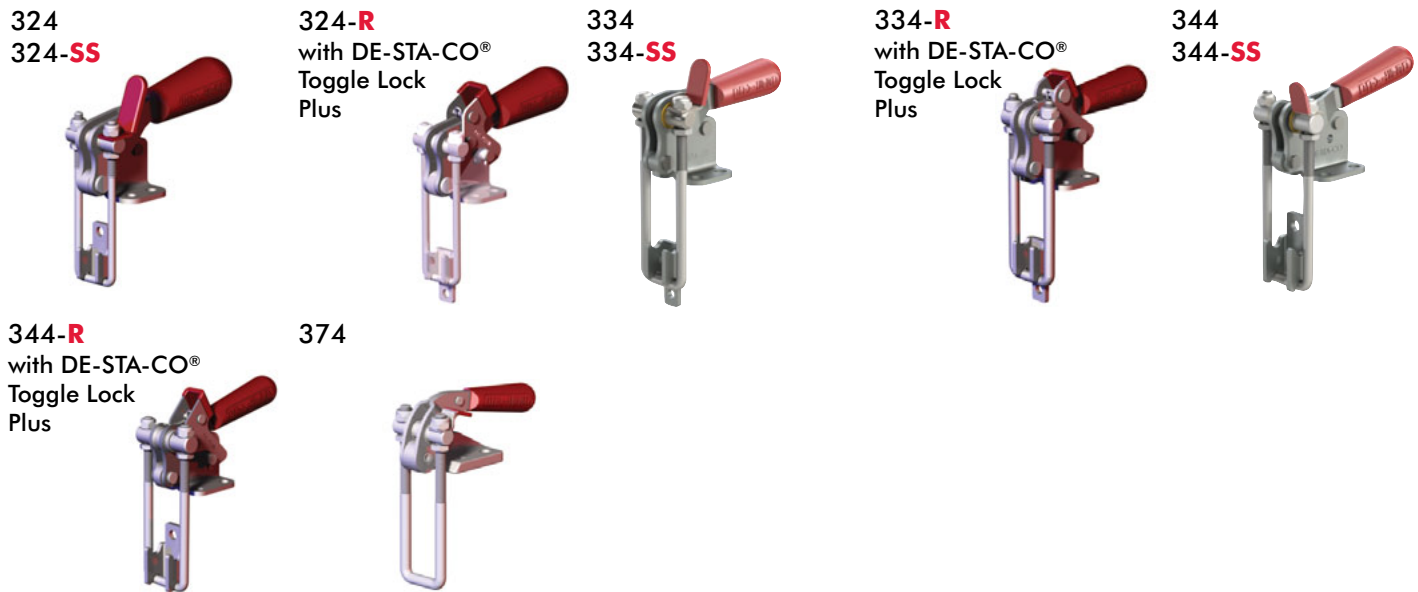
Applications:

- Molding
- Closures for doors, lids, covers
- Assembly

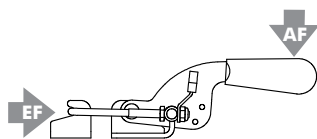
Also Available:

- Clamps with longer hooks available Upon Request that are 25mm, 50mm, 100mm longer than standard length
- To order clamp with longer hook, add **-M-25**, **-M-50**, or **-M-100** to the end of the model. Example: 324-**M-50**

Covered under one year or more U.S./International Patents



Series 324, 334, 344, 374 Technical Information, Holding Capacities



Model	Max. Holding Capacity	Weight	EF:AF	(S) Drawing Movement	Latch Plate (Supplied)	Replacement Hook Assembly	Verstellbereich
324					324101	324215	
324-SS	[500 lbf] 2200 N	[0.25lb] 0,11kg	31:1	38,7 [1.53]	324901	324915	11.9 [0.47]
324-R					324101	324215	
334					334101	334915	
334-SS	[1000 lbf] 4450 N	[0.60lb] 0,27kg	45:1	51,7 [2.04]	334901	334915	19.3 [0.76]
334-R					334101	334215	
344					344101	344215	
344-SS	[2000 lbf] 8900 N	[1.50lb] 0,68kg	36:1	62,4 [2.46]	344901	344915	31 [1.22]
344-R					344101	344215	
374	[4000 lbf] 17800 N	[2.10lb] 0,95kg			None	374215	53.8 [2.12]

EF = Exerting Force, AF = Applied Force

Series 324, 334, 344, 374 Standard Clamp Dimensions
324/334/374/-SS

324
324-SS



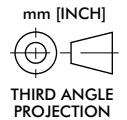
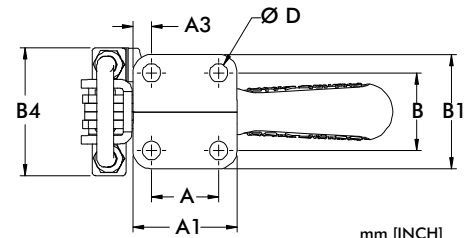
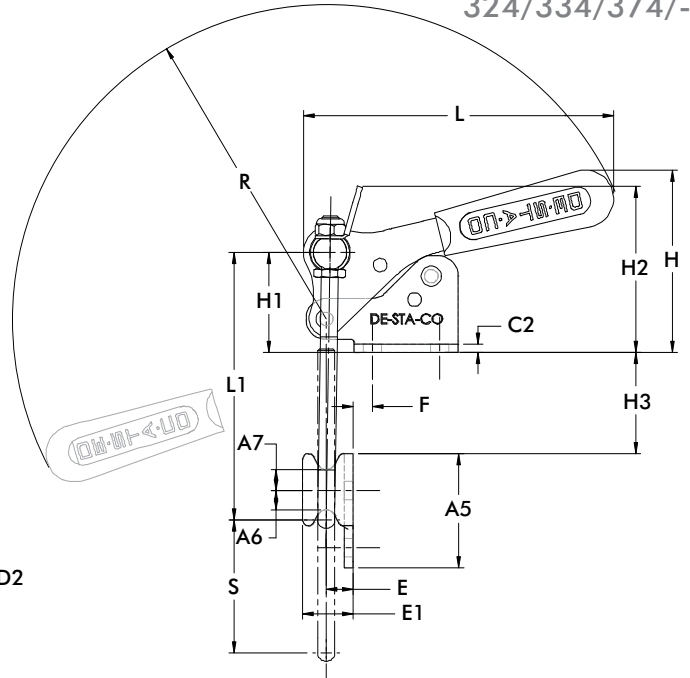
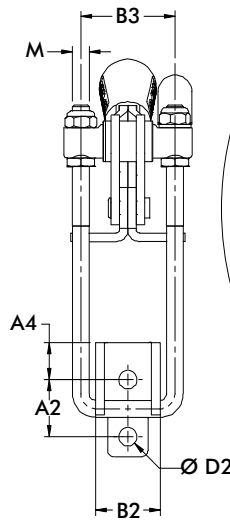
334
334-SS



344
344-SS



374



Model	A	A1	A2	A3	A4	A5	A6	A7	B	B1	B2	B3	B4	C2
324	[0.50]	[1.00]	[0.56]	[0.25]	[0.28]	[1.00]	[0.19]	[0.19]	[0.88]	[1.38]	[0.53]	[0.81]	[1.19]	[0.09]
324-SS	12,7	25,4	14,2	6,4	7,1	25,4	4,8	4,8	22,4	35,1	13,5	20,7	30,2	2,4
334	[0.75]	[1.31]	[0.81]	[0.28]	[0.41]	[1.50]	[0.28]	[0.28]	[1.00]	[1.56]	[0.68]	[1.13]	[1.63]	[0.12]
334-SS	19,1	33,3	20,6	7,1	10,4	38,1	7,1	7,1	25,4	39,6	17,4	28,7	41,4	3,1
344	[1.25] 31,8	[1.94]	[1.06]	[0.35]	[0.69]	[2.13]	[0.36]	[0.39]	[1.44]	[2.12]	[1.20]	[1.75]	[2.38]	[0.16]
344-SS		49,3	27	8,0	17,5	54	9,1	9,9	36,6	53,8	30,6		60,5	4
374		[2.43]	[0.67]	[0.68]	[0.38]	[1.96]	[0.70]	--	[1.50]	[2.50]	[1.13]	44,5	[2.36]	[0.37]
		61,7	17	17,3	9,7	49,7	17,9		38,1	63,5	28,6		60	9,4

Model	ØD	ØD2	F	H	H1	H2	H3	E	E1	L	L1 MAX	R	M	S
324	[0.20]	[0.17]	[2.25]	[1.91]	[1.10]	[1.97]	[0.92]	[0.19]	[0.38]	[3.49]	[2.56]	[3.49]	M4	[1.53]
324-SS	5,1	4,3	6,4	48,5	28	50,1	[23,4]	4,4	9,7	88,7	65,1	88,8		38,7
334	[0.28]	[0.22]	[0.28]	[2.37]	[1.55]	[2.68]	[1.34]	[0.35]	[0.63]	[4.10]	[3.70]	[4.12]	M6	[2.04]
334-SS	7,1	5,6	7,1	60,1	39,3	68	34	8,8	16	104,2	94	104,5		51,8
344	[0.34]	[0.34]	[0.35]	[3.39]	[1.86]	[7.09]	[1.73]	[0.50]	[0.94]	[5.77]	[5.00]	[5.84]	M8	[2.46]
344-SS	8,6	8,6	8,9	86,1	47,3	78,6	49,1	12,7	23,8	146,6	126,9	148,4		62,4
374	[0.41]	[0.33]	[0.68]	[2.38]	[1.36]	--	[2.40]	[0.56]	[1.13]	[6.60]	[6.04]	[6.04]	M10	[1,75]
	10,3	8,5	17,3	60,5	34,5		61	14,3	28,8	167,8	153,5	153,5		44,5

Series **324-R**, **334-R**, **344-R** Standard Clamp Dimensions
-R/-SS

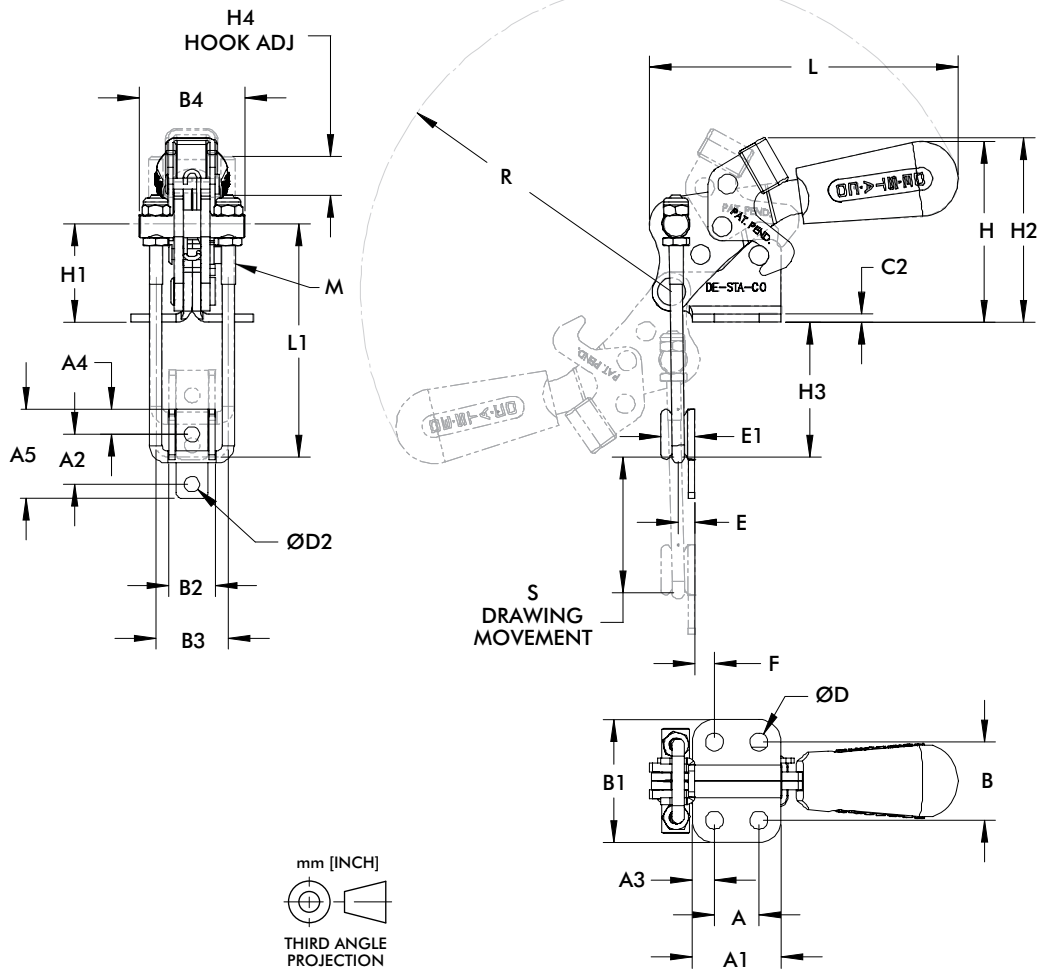
324-R
with DE-STA-CO®
Toggle Lock
Plus



334-R
with DE-STA-CO®
Toggle Lock
Plus



344-R
with DE-STA-CO®
Toggle Lock
Plus

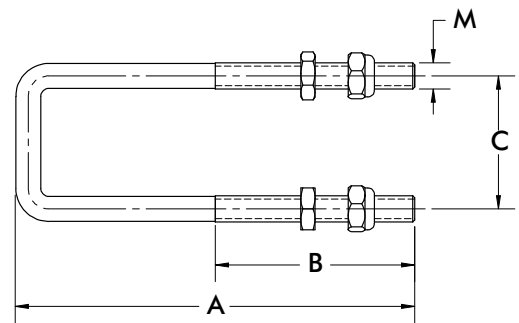


Model	A	A1	A2	A3	A4	A5	B	B1	B2	B3	B4	C2	D
324-R	[.50] 12.7	[1.00] 25.4	[.56] 14.3	[.25] 6.4	[.28] 7.1	[1.00] 25.4	[0.88] 22.4	[1.38] 35.1	[.52] 13.3	[0.81] 20.6	[0.44] 11.1	[0.09] 2.4	[0.20] 5.2
334-R	[.75] 19.1	[1.38] 34.9	[.81] 20.6	[.27] 7.0	[.41] 10.3	[2.13] 54.0	[1.00] 25.4	[1.56] 39.6	[0.68] 17.3	[1.13] 28.6	[1.63] 41.3	[0.12] 3.1	[0.28] 7.1
344-R	[1.31] 33.3	[1.94] 49.1	[1.06] 27.0	[.34] 8.7	[.38] 9.5	[3.17] 80.6	[1.00] 25.4	[1.56] 39.6	[0.68] 17.3	[1.13] 28.6	[1.63] 41.3	[0.12] 3.1	[0.34] 8.6

Model	D2	E	E1	F	H	H1	H2	H3	H4	L	L1	M	S	R
324-R	[0.17] 4.4	[0.20] 5.2	[0.17] 4.4	[0.22] 5.6	[2.03] 51.6	[1.11] 28.1	[2.07] 52.7	[1.52] 38.5	[.44] 11.1	[3.47] 88.1	[2.62] 66.6	M4	[1.53] 38.7	[3.49] 88.8
334-R	[0.22] 5.6	[0.35] 8.8	[0.63] 15.9	[0.18] 4.5	[2.37] 60.2	[1.55] 39.3	[2.55] 64.7	[2.22] 56.3	[0.86] 21.8	[4.12] 104.6	[3.76] 95.6	M6	[2.04] 51.7	[4.10] 104.2
344-R	[0.22] 5.6	[0.35] 8.8	[0.63] 15.9	[0.18] 4.5	[2.37] 60.2	[1.55] 39.3	[3.39] 86.0	[3.17] 80.8	[1.17] 29.6	[5.77] 146.5	[5.04] 128.0	M8	[2.46] 62.4	[5.83] 148.1

Series 324, 334, 344, 374 Replacement Hook Assembly Standard Dimensions

Replacement Hook Assembly	A	B	C	M
324215	73 [2.87]	25,4 [1.00]	20,6 [0.81]	M4
324915				
334215	109,5 [4.31]	38,1 [1.50]	28,7 [1.13]	M6
334915				
344215	139,7 [5.50]	57,2 [2.25]	44,5 [1.75]	M8
344915				
374215	155,2 [6.12]	82,6 [3.25]		M10



Hook assemblies are supplied with (2) jam nuts and (2) locknuts.

Series 301, 311 Product Overview

Features:

- Fixed stop automatically limits handle travel at various clamping positions once the clamp is installed
- Model 301 available in stainless steel as 301-SS

Applications:

- Molding
- Closures for doors, lids, covers
- Assembly

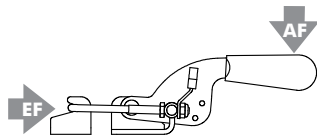
301
301-SS



311

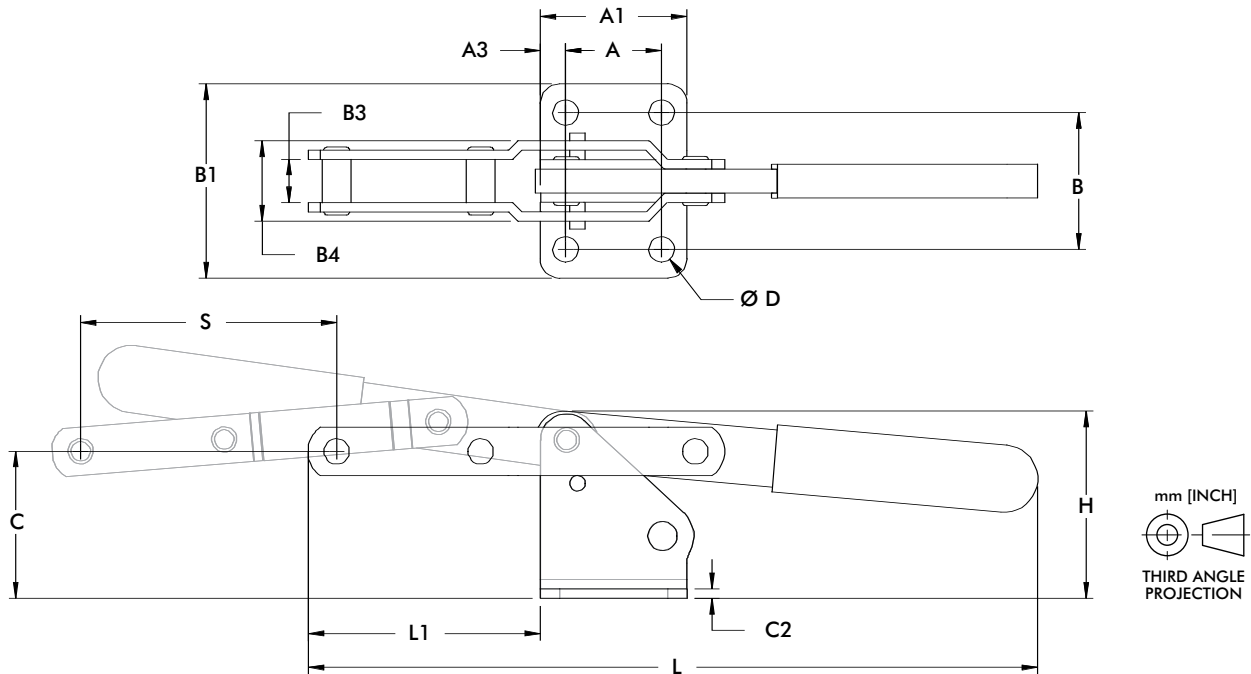


Series 301, 311 Technical Information, Holding Capacities, Standard Clamp Dimensions



Model	Max. Holding Capacity	Weight	EF:AF	Drawing Movement
301	1670 N [375 lbf]	0,32kg [0.70lb]	29:1	101,6 [4.00]
301-SS	2000 N [450 lbf]			
311	5340 N [1200 lbf]	0,53kg [1.16lb]	31:1	85,9 [3.38]

EF = Exerting Force, AF = Applied Force



Model	A	A1	A3	B	B1	B3	B4	C	C2	ØD	H	L	L1	S
301	[0.75]	[1.38]	[0.32]	[1.25]	[1.75]	[0.56]	[1.04]	[1.52]	[0.12]	[0.28]	[1.91]	[8.33]	[3.04]	[4.00]
301-SS	19,1	35,1	8	31,8	44,5	14,1	26,4	38,6	3,1	7,1	48,4	211,5	77,1	101,6
311	[1.25]	[1.91]	[0.33]	[1.78]	[2.53]	[0.56]	[1.05]	[1.91]	[0.12]	[0.33]	[2.44]	[9.49]	[3.02]	[3.88]
	31,8	48,4	8,3	45,2	64,3	14,3	26,6	48,6	3,1	8,4	61,9	241,2	76,7	85,9

Features:

- Heavy duty cast steel or stainless steel construction with ergonomic handle
- Replaceable stainless steel pivot pins

Applications:

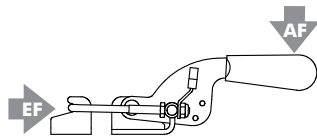
- Molding
- Closures for doors, lids, covers
- Assembly

3011

3011-SS

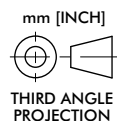
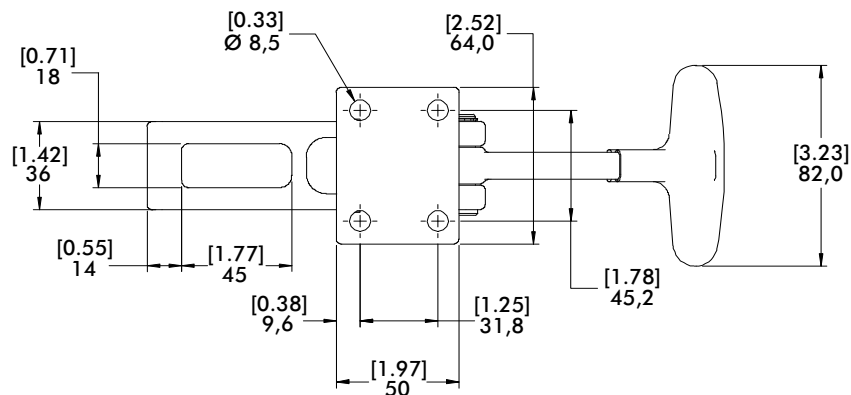
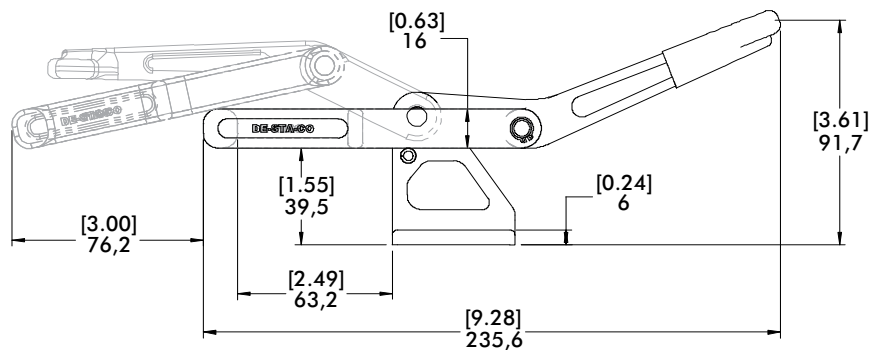


Series 3011 Technical Information, Holding Capacities, Standard Clamp Dimensions



Model	Max. Holding Capacity	Weight	EF:AF	Drawing Movement
3011	8900 N [2000 lbf]	0,91kg [2.00lb]	31:1	76,2 [3.00]
3011-SS				

EF = Exerting Force, AF = Applied Force



Series 323, 331, 341 Product Overview

Features:

- U-hook style latch clamps are supplied with threaded U-hooks for easy adjustment
- Supplied with latch plate and patented thumb control lever for one handed operation
- DE-STA-CO® Toggle Lock Plus versions available
- Stainless steel version available as **-SS** models

Applications:

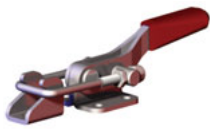
- Molding
- Closures for doors, lids, covers
- Assembly

Also Available:

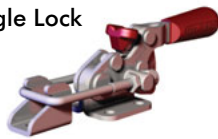
- Clamps with longer hooks available Upon Request that are 25mm, 50mm, 100mm longer than standard length
- To order clamp with longer hook, add **-M-25**, **-M-50**, or **-M-100** to the end of the model. Example: 323-**M-50**

Covered under one year or more U.S./International Patents

323
323-SS



323-R
323-RSS
with DE-STA-CO®
Toggle Lock
Plus



331
331-SS



331-R
331-RSS
with
DE-STA-CO®
Toggle Lock
Plus



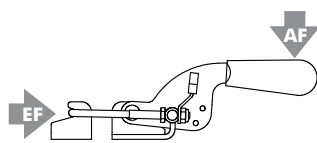
341
341-SS



341-R
341-RSS
with DE-STA-CO®
Toggle Lock
Plus



Series 323, 331, 341 Technical Information, Holding Capacities

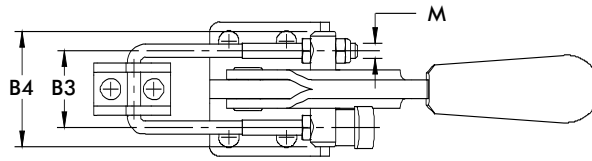


Model	Max. Holding Capacity	Weight	EF:AF	Drawing Movement	Latch Plate (Supplied)	Replacement Hook Assembly	Hook Adj. Range
323				30 [1.18]	323104-M	323215	
323-SS	1600 N [360 lbf]	0,07kg [0.15lb]	27:1		323104-MSS	323915	10.7 [0.42]
323-R				29,7 [1.17]	323104-M	323215	
323-RSS					323104-MSS	323915	
331					331005	331215	
331-SS	3200 N [720 lbf]	0,25kg [0.56lb]	32:1	44,5 [1.75]	331905	331915	22.1 [0.87]
331-R					331005	331215	
331-RSS					331905	331915	
341					341005	341215	
341-SS	8900 N [2000 lbf]	0,65kg [1.43lb]	29:1	63,5 [2.50]	341905	341915	24.6 [0.97]
341-R					341005	341215	
341-RSS					341905	341915	

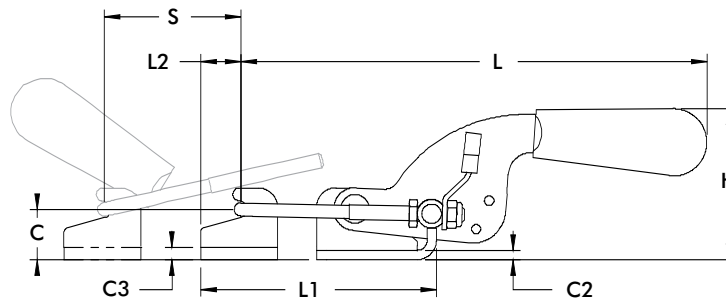
EF = Exerting Force, AF = Applied Force

Series **323, 323-R, 331, 341** Standard Clamp Dimensions
 323/331/341/-SS/-R/-RSS

323
323-SS



323-R
323-RSS
 with DE-STA-CO®
 Toggle Lock
 Plus



331
331-SS

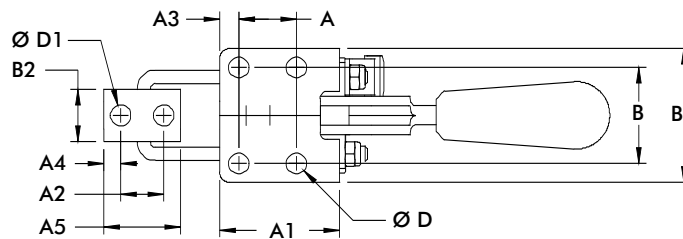


341
341-SS



mm [INCH]

 THIRD ANGLE
 PROJECTION

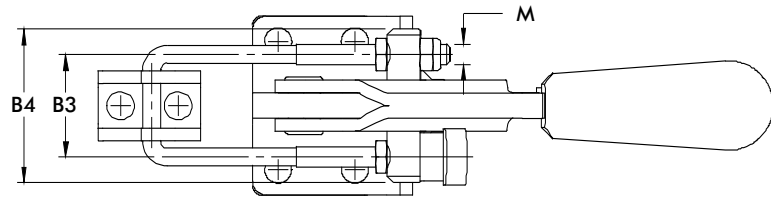


Model	A	A1	A2	A3	A4	A5	B	B1	B2	B3	B4	C	C2
323													
323-SS	[0.63]	[1.02]	[0.39]	[0.20]	[0.24]	[0.79]	[0.75]	[1.10]	[0.52]	[0.75]	[1.10]	[0.47]	[0.08]
323-R	16	26	10	5	6	20	19	28	13,2	19,1	28	12	2
323-RSS													
331	[0.75]	[1.56]	[0.56]	[0.25]	[0.22]	[1.00]	[1.25]	[1.74]	[0.68]	[1.00]	[1.50]	[0.66]	[0.12]
331-SS	19,1	39,7	14,3	6,4	5,6	25,4	31,8	44,3	17,3	25,4	38,1	16,7	3,1
341	[1.63]	[2.38]	[0.75]	[0.38]	[0.38]	[1.50]	[1.50]	[2.12]	[1.19]	[1.75]	[2.38]	[0.94]	[0.16]
341-SS	41.5	60.5	19.1	9.7	9.5	38.1	38.1	53.8	30.1	44.5	60.5	23.8	4

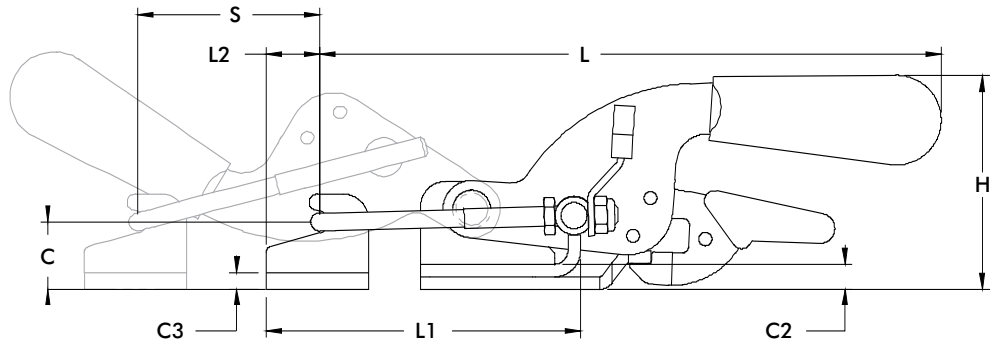
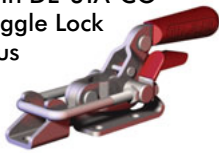
Model	C3	ØD	ØD2	H	L	L1 MAX	L2	M	S
323									
323-SS	[0.08]	[0.17]	[0.17]	[1.19]	[3.88]	[2.23]	[0.37]	M4	[1.18]
323-R	2	4,2	4,2	30,3	98,6	56,6	9,3		30
323-RSS									
331	[0.12]	[0.27]	[0.27]	[1.97]	[6.07]	[3.07]	[0.52]	M5	[1.75]
331-SS	3,1	6,7	6,9	50	154,2	78	13,3		45,5
341	[0.16]	[0.33]	[0.33]	[2.89]	[8.20]	[4.59]	[0.75]	M8	[2.50]
341-SS	4	8,5	8,5	73,4	208,3	116,6	19,1		63,5

Series **331-R**, **341-R** Standard Clamp Dimensions
-R/-RSS

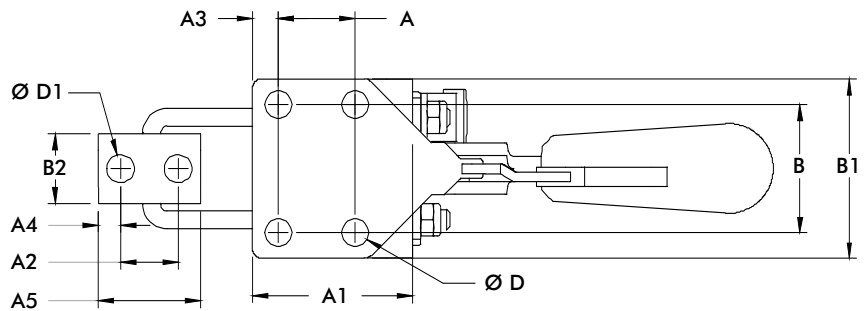
331-R
331-RSS
with
DE-STA-CO®
Toggle Lock
Plus



341-R
341-RSS
with DE-STA-CO®
Toggle Lock
Plus



mm [INCH]
THIRD ANGLE
PROJECTION

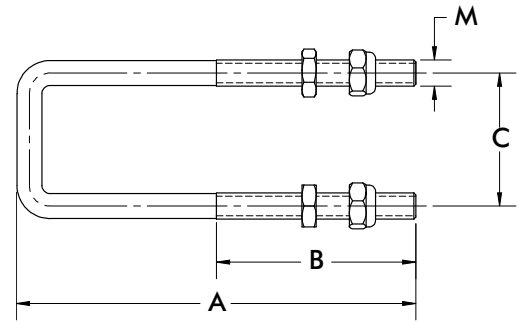


Model	A	A1	A2	A3	A4	A5	B	B1	B2	B3	B4	C	C2
331-R	[0.75]	[1.56]	[0.56]	[0.25]	[0.22]	[1.00]	[1.25]	[1.74]	[0.68]	[1.00]	[1.50]	[0.66]	[0.12]
331-RSS	19,1	39,7	14,3	6,4	5,6	25,4	31,8	44,3	17,3	25,4	38,1	16,7	3,1
341-R	[1.63]	[2.38]	[0.75]	[0.38]	[0.38]	[1.50]	[1.50]	[2.12]	[1.19]	[1.75]	[2.38]	[0.94]	[0.16]
341-RSS	41,5	60,5	19,1	9,7	9,5	38,1	38,1	53,8	30,1	44,5	60,5	23,8	4

Model	C3	ØD	ØD2	H	L	L1 MAX	L2	M	S
331-R	[0.12]	[0.27]	[0.27]	[2.01]	[6.07]	[3.07]	[0.52]		[1.75]
331-RSS	3,1	6,7	6,9	53,1	154,2	78	13,3	M5	45,5
341-R	[0.16]	[0.33]	[0.33]	[2.89]	[8.20]	[5.24]	[0.77]		[2.50]
341-RSS	4	8,5	8,5	73,4	208,3	133,2	19,4	M8	63.5

Series **323, 331, 341** Replacement Hook Assembly Standard Dimensions

Replacement Hook Assembly	A	B	C	M
323215	53,8 [2.12]	23,8 [0.94]	19,1 [0.75]	M4
323915				
331215	76,2 [3.00]	38,1 [1.50]	25,4 [1.00]	M5
331915				
341215	109,5 [4.31]	50 [1.97]	44,5 [1.75]	M8
341915				



Hook assemblies are supplied with (2) jam nuts and (2) locknuts.



Series 330, 351, 371, 381 Product Overview

Features:

- J-hook style latch clamps are supplied with threaded J-hooks for easy adjustment
- Supplied with patented thumb control lever for one handed operation
- DE-STA-CO® Toggle Lock Plus versions available
- Stainless steel version available as **-SS** models

Applications:

- Molding
- Closures for doors, lids, covers
- Assembly

Also Available:

- Clamps with longer hooks available Upon Request that are 25mm, 50mm, 100mm longer than standard length
- To order clamp with longer hook, add **-M-25**, **-M-50**, or **-M-100** to the end of the model. Example: 330-**M-50**

Covered under one year or more U.S./International Patents

330
330-SS



351
351-SS



351-B
351-BSS
Narrow Base



351-R
with
DE-STA-CO®
Toggle Lock
Plus



371
371-SS



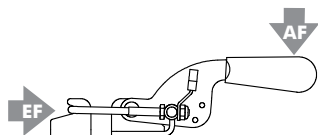
371-R
with DE-STA-CO®
Toggle Lock
Plus



381
381-SS



Series 330, 351, 371, 381 Technical Information, Holding Capacities



Model	Max. Holding Capacity	Weight	EF:AF	Drawing Movement	Replacement Hook Assembly	Hook Adj. Range
330	900 N [200 lbf]	0,11kg [0.24lb]	17:1	59,7 [2.35]	330215	7.4 [0.29]
330-SS					330915	
351	1670 N [375 lbf]	0,28kg [0.61lb]	21:1	101,6 [4.00]	351215	12.4 [0.49]
351-SS	2000 N [450 lbf]				351915	
351-B	1670 N [375 lbf]				351215	
351-BSS					351915	
351-R		0,36kg [0.8lb]			351215	
371	3340 N [750 lbf]	0,69kg [1.53lb]	36:1	136,7 [5.38]	371215	23.9 [0.94]
371-SS					371915	
371-R					0,85kg [1.88lb]	
381	4450 N [1000 lbf]	1,16kg [2.56lb]	37:1	155,7 [6.13]	381215	29.7 [1.17]
381-SS					381915	

EF = Exerting Force, AF = Applied Force

Series 330, 351, 371, 381 Standard Clamp Dimensions
330/351/371/381/-SS/-B/-BSS

330
330-SS



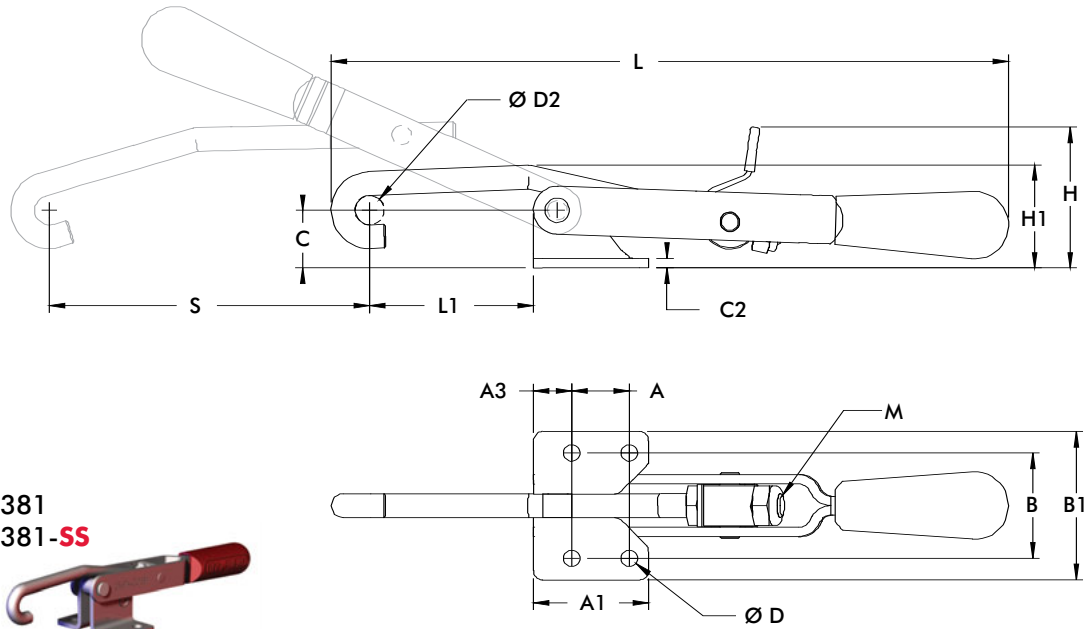
351
351-SS



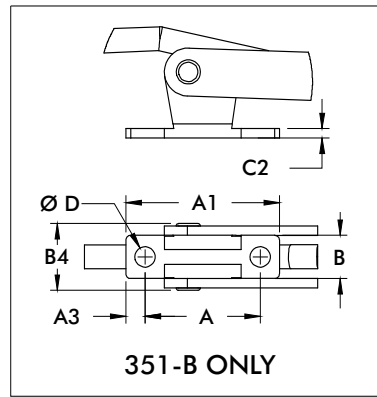
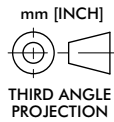
371
371-SS



381
381-SS



351-B
351-BSS
Narrow Base



Model	A	A1	A3	B
330	[0.50] 12,7	[1.00] 25,4	[0.25] 6,4	[1.22] 30,9
330-SS				
351	[0.75] 19,1	[1.50] 38,1	[0.50] 12,7	[1.37] 34,8
351-SS				
351-B	[1.50] 38,1	[2.00] 38,1	[0.25] 6,4	[0.56] 14,3
371	[1.25] 31,8	[1.94] 49,2	[0.34] 8,7	[1.94] 49,2
371-SS				
381	[1.13] 28,6	[2.13] 54,1	[0.50] 12,7	[2.37] 60,3
381-SS				

Model	B1	B4	C	C2	ØD	ØD2	H	H1	L	L1 Max	M	S
330	[1.69] 42,9	-	[0.56] 14,2	[0.12] 3,1	[0.22] 5,6	[0.32] 8,1	[1.43] 36,2	[0.89] 22,6	[6.01] 152,7	[1.70] 43,3	M5	[2.35] 59,7
330-SS												
351	[1.93] 49,1	-	[0.75] 19,1	[0.12] 3,1	[0.22] 5,5	[0.38] 9,7	[1.83] 46,6	[1.34] 34	[8.82] 224	[2.13] 54,2	M8	[4.00] 101,6
351-SS												
351-B	-	[0.87] 22,1	[0.86] 21,8		[0.27] 6,7		[1.94] 49,3	[1.45] 36,8		[1.63] 41,4		
371	[2.63] 66,7	-	[1.42] 36,1	[0.16] 4	[0.34] 8,7	[0.50] 12,7	[2.58] 65,6	[2.23] 56,5	[11.89] 302	[2.81] 71,5	M10	[5.38] 136,7
371-SS												
381	[3.38] 85,9	-	[1.81] 46	[0.19] 4,7	[0.41] 10,3	[0.62] 15,7	[2.90] 73,6	[2.71] 68,8	[13.45] 341,7	[3.13] 79,5	M12	[6.13] 155,7
381-SS												

Series 353, 359 Product Overview

Features:

- Heavy duty cast steel clamps are designed to withstand the harshest environments
- Ideally suit for parting line clamping of rotational molds
- Replaceable stainless steel pivot pins
- Available in stainless steel as **359-35**, **359-65**

Applications:

- Molding
- Closures for doors, lids, covers

Also Available:

- Keeper plate
- Papered bolt assembly

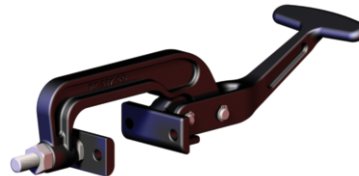
353-35



359-35
Stainless Steel



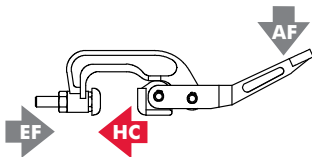
353-65



359-65
Stainless Steel



Series 353, 359 Technical Information, Holding Capacities



Model	Max. Holding Capacity	Weight	EF:AF	Drawing Movement	L	K	Keeper Plate (included)	Tapered Bolt Assembly (included)
353-35	[2800 lbf] 12460 N	[2.10lb] 0,95kg	23:1	12 [0.47]	[9.50] 241,5	[1.38] 35	353004	353908
359-35	[1400 lbf] 6230 N						353904	
353-65	[2100 lbf] 9350 N	[2.30lb] 1,04kg	27:1		[10.69] 271,5	[2.56] 65	353004	
359-65	[1200 lbf] 5340 N						353904	

EF = Exerting Force, **AF** = Applied Force

Series 353, 359 Standard Clamp Dimensions

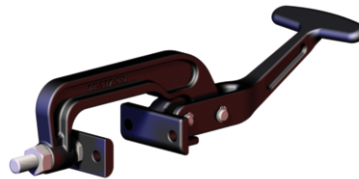
353-35



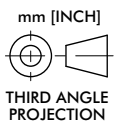
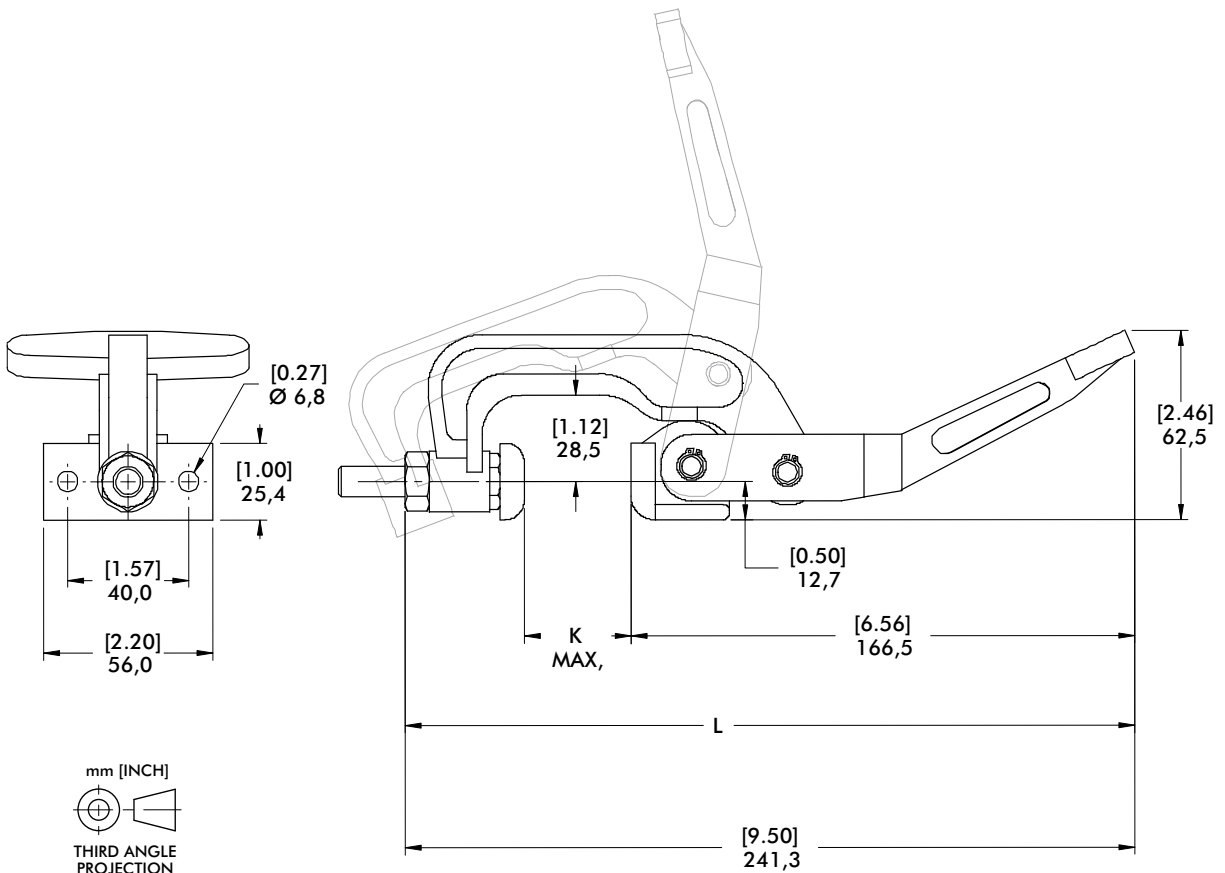
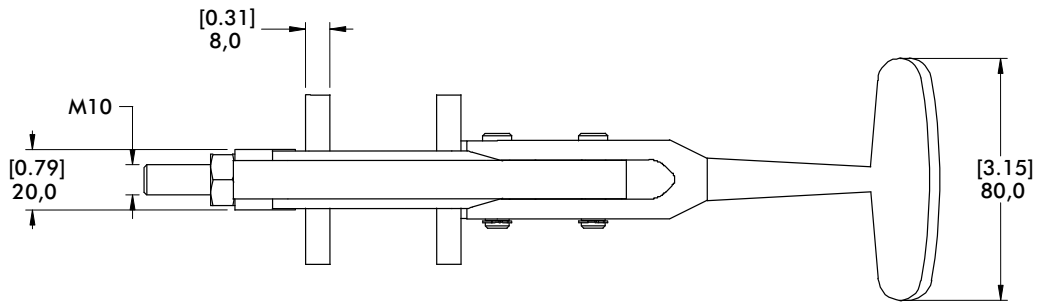
359-35
Stainless Steel



353-65



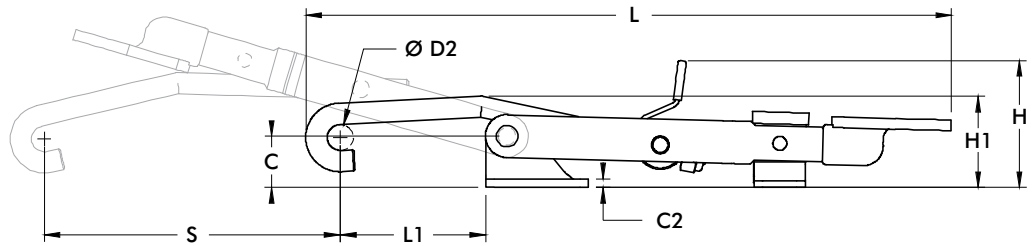
359-65
Stainless Steel



Series 351-R, 371-R Standard Clamp Dimensions

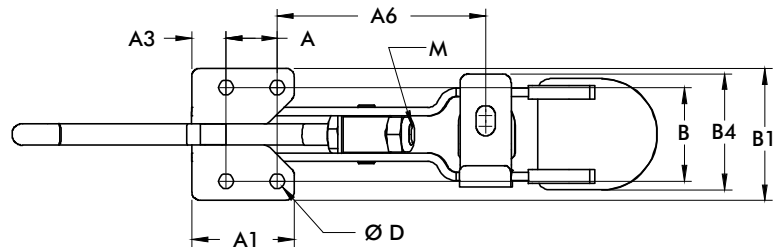
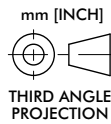
371-R

with
DE-STA-CO®
Toggle Lock
Plus



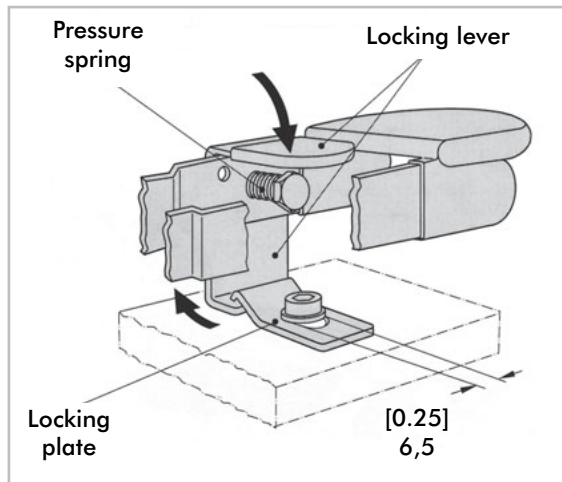
351-R

with
DE-STA-CO®
Toggle Lock
Plus



Model	A	A1	A3	A6	B	B1	B4	C	C2	ØD	H	H1
351-R	[0.75] 19,1	[1.50] 38,1	[0.50] 12,7	[3.06] 77,7	[1.37] 34,8	[1.93] 49,1	[1.70] 19,1	[0.75] 19,1	[0.12] 3,1	[0.22] 5,5	[1.85] 47,1	[1.34] 33,9
371-R	[1.25] 31,8	[1.94] 49,2	[0.34] 8,7	[4.73] 120,1	[1.94] 49,2	[2.63] 66,7	[2.25] 57,2	[1.42] 36,1	[0.16] 4	[0.34] 8,7	[2.65] 67,4	[2.22] 56,3

Model	L	L1	M	S
351-R	[9.45] 240	[2.13] 54,2	M8	[4.33] 110
371-R	[12.74] 323,6	[2.81] 71,4	M10	[5.59] 142



Model 351-R, 371-R

Information concerning the assembly and function of the clamps locking mechanism

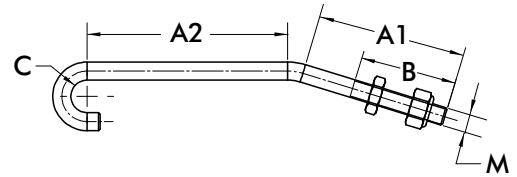
The locking plate which is supplied with the unit must be fastened with a screw (M6 or 1/4-20) as shown in this illustration. The screw head should be flat.

Function

When closing the latch clamp, the locking lever engages automatically. Actuate the locking lever to open the clamp.

Series **351-R, 371-R** Replacement Hook Assembly Standard Dimensions

Replacement Hook Assembly	A1	A2	B	C	M
330215	38,1	50,8	19,1	50,8	M5
330915	[1.50]	[2.00]	[0.75]	[2.00]	
351215	85,9	53,1	41,4	50,8	M8
351915	[3.38]	[2.09]	[1.63]	[2.00]	
371215	113,3	74,7	56,4	50,8	M10
371915	[4.46]	[2.94]	[2.22]	[2.00]	
381215	117,6	76,2	7,8	50,8	M12
381915	[4.63]	[3.00]	[0.31]	[2.00]	



Note: Hook assemblies supplied with jam nut and locknut or (2) jam nuts (330215, 330915)



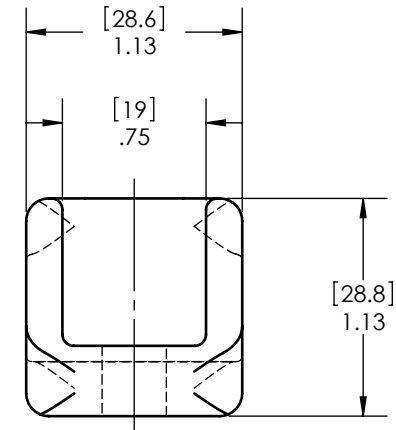
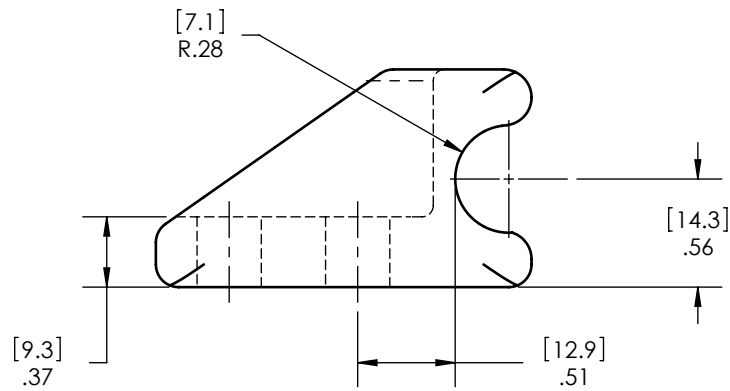
Datasheet / *Datenblatt* / hoja de datos

374107

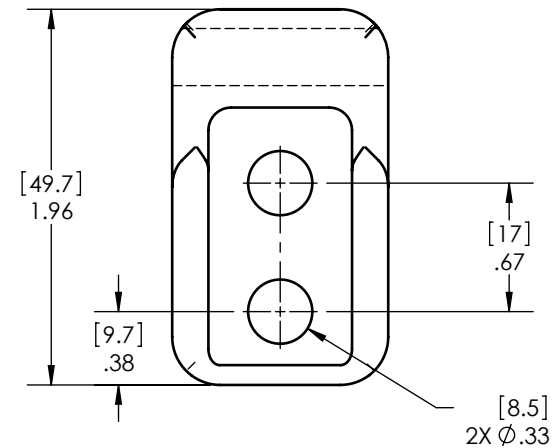
GDS-374107

SHEET 1 OF 1

REVISION: 0 -



USE WITH MODEL 374



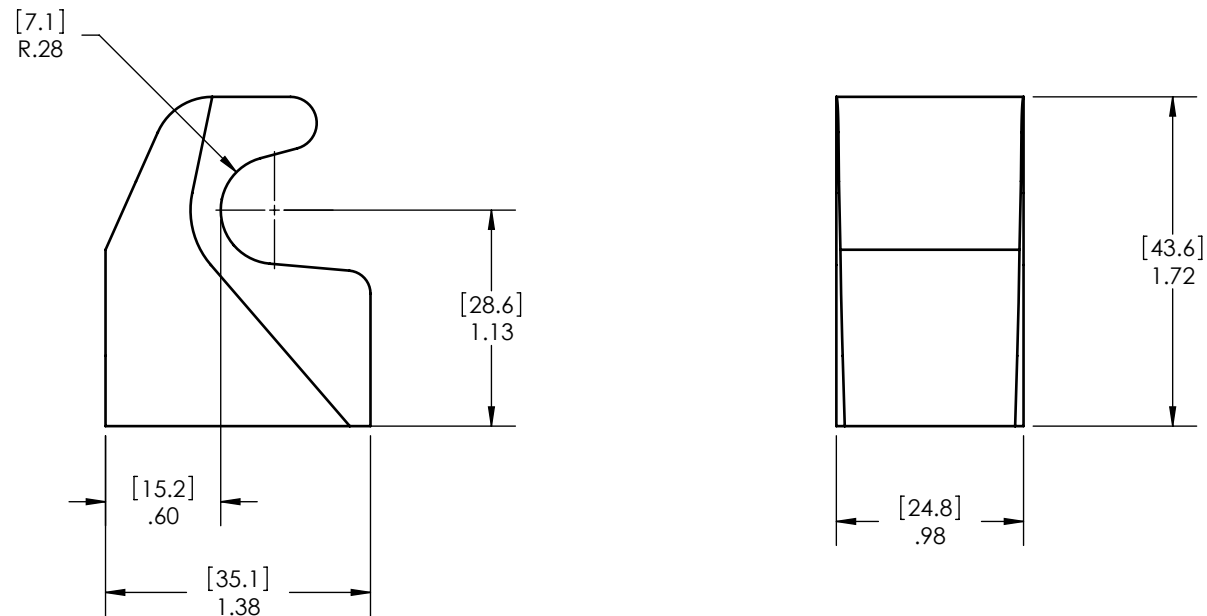


Datasheet / *Datenblatt* / hoja de datos
375509

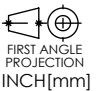
GDS-375509

SHEET 1 OF 1

REVISION: 0 -



USE WITH MODEL 374





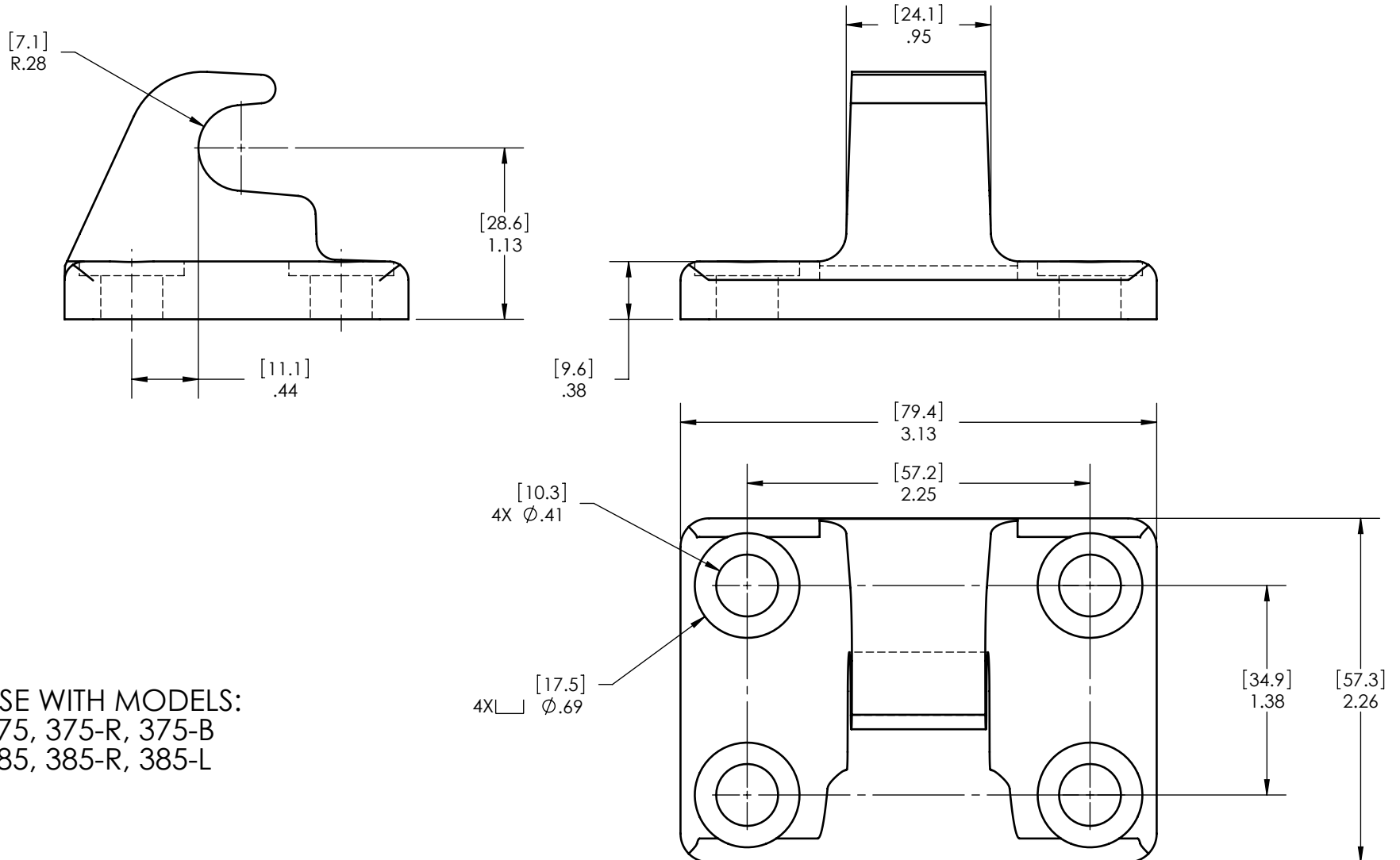
Datasheet / *Datenblatt* / hoja de datos

385102

GDS-385102

SHEET 1 OF 1

REVISION: 0 -



USE WITH MODELS:
 375, 375-R, 375-B
 385, 385-R, 385-L

